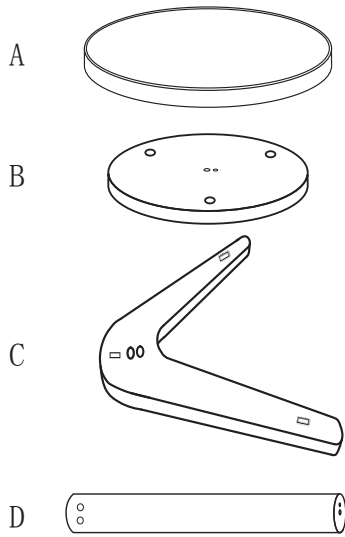
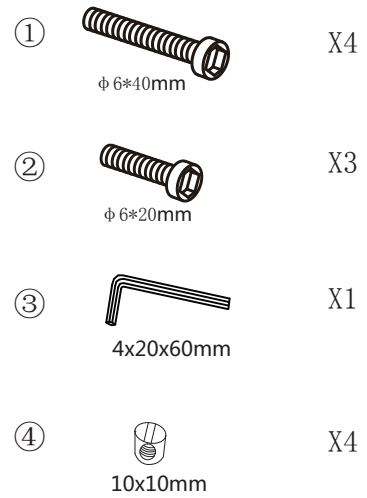


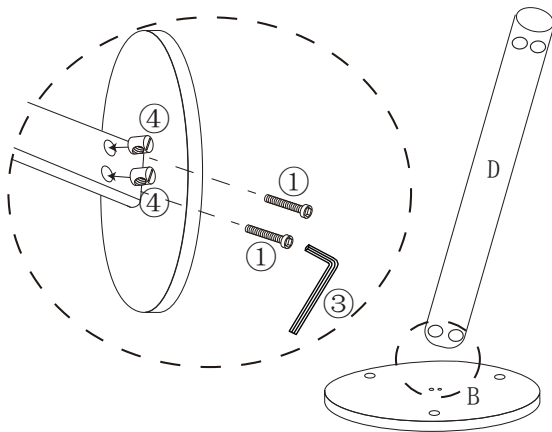
Parts Checklist



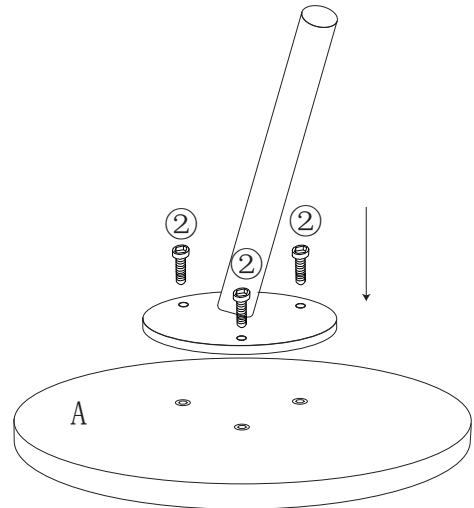
Fittings Checklist



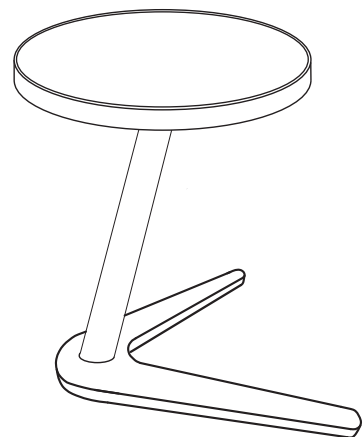
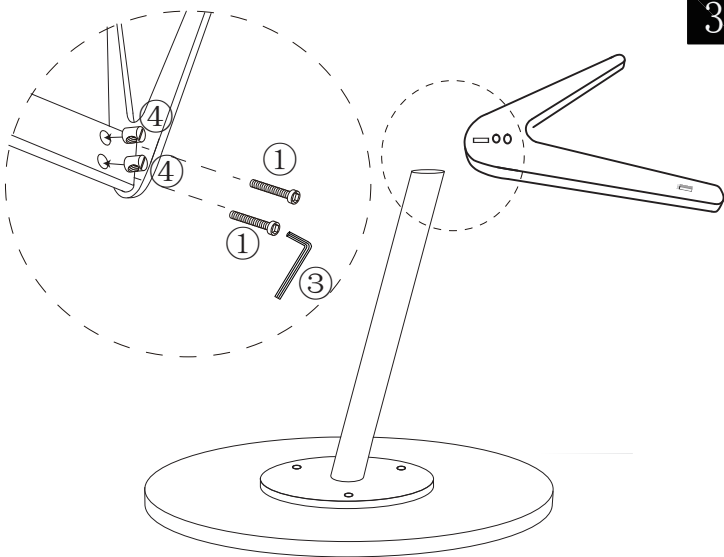
1



2



3



During assembly steps do not fully tighten fittings. Tighten to 80%. This will allow for easier assembly of all parts, then in final step tighten all fittings fully before using your table.