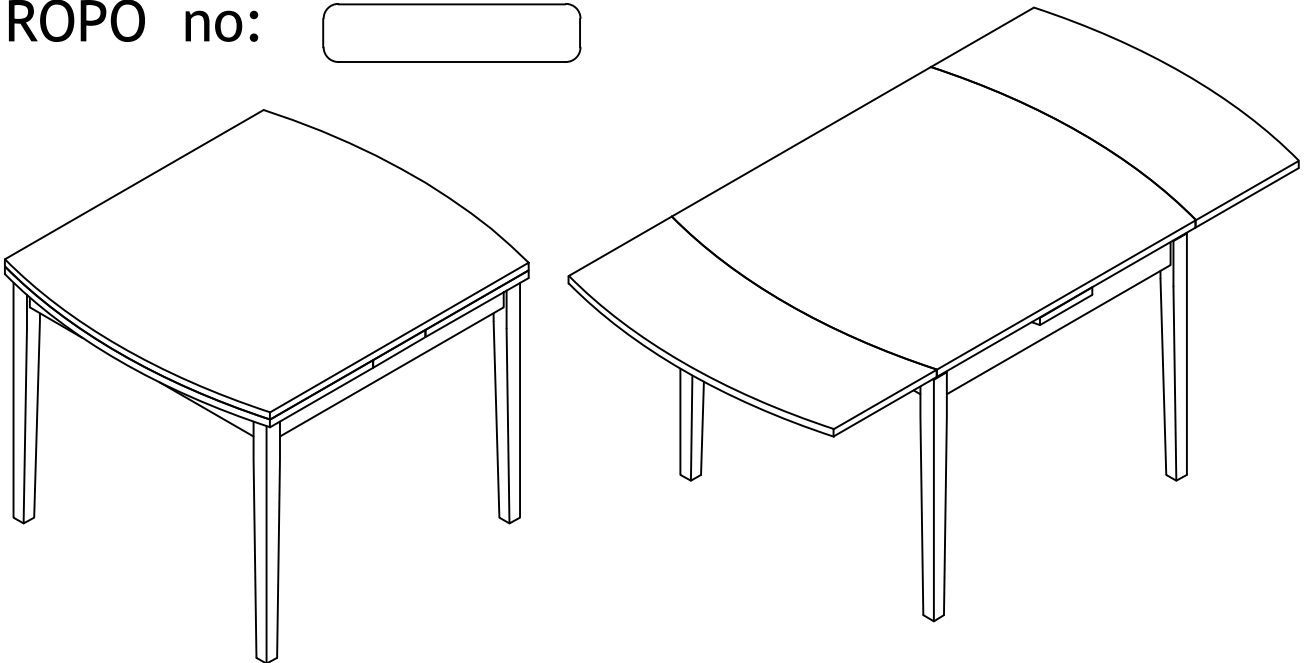


Assembly Instructions

FUTON
C O M P A N Y

Dining Table - Oak Delta Extending Table

ROPO no:



PLEASE READ THESE INSTRUCTIONS VERY CAREFULLY BEFORE YOU BEGIN, TO ENSURE THAT YOUR FUTON COMPANY PRODUCT WILL GIVE YOU MANY YEARS OF SATISFACTION

Thank you for buying a Futon Company product.

We are constantly striving to improve everything we do, but occasionally mistakes do occur. In the unlikely event that you find any part missing, please call your nearest Futon Company store and we will arrange for the despatch of an immediate replacement. Please keep all packaging until you have checked every part and assembly of your Futon Company product is complete.

Version number: 2

Product code: T4 DELTA

Date: 26/05/25

experts in small space living



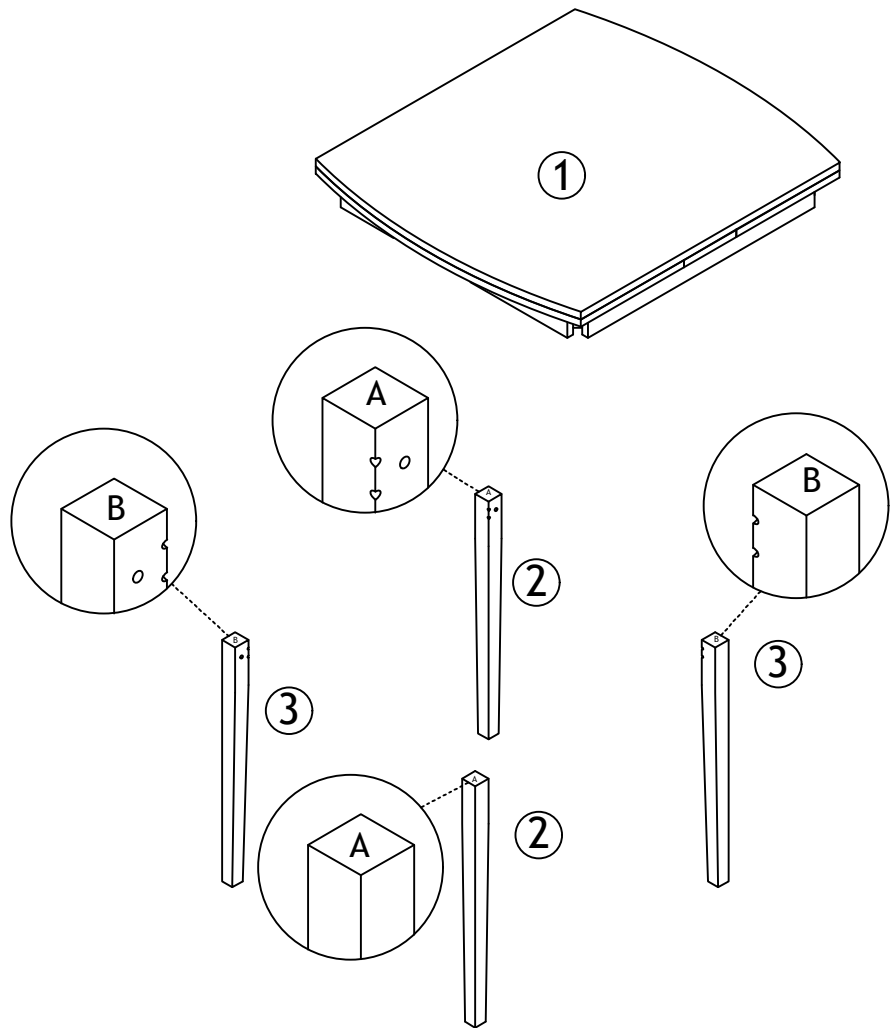
Parts Checklist

Please count and check every component very carefully before you begin

① Top x 1

② Leg (A) x 2

③ Leg (B) x 2

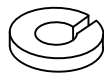


Fittings Checklist

Please count and check every component very carefully before you begin



① Bolt x 8



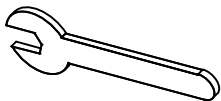
② Split Spring Washer x 8



③ Washer x 8



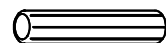
④ Nut x 8



⑤ Small Spanner x 1



⑥ Felt Protector Pad x 4

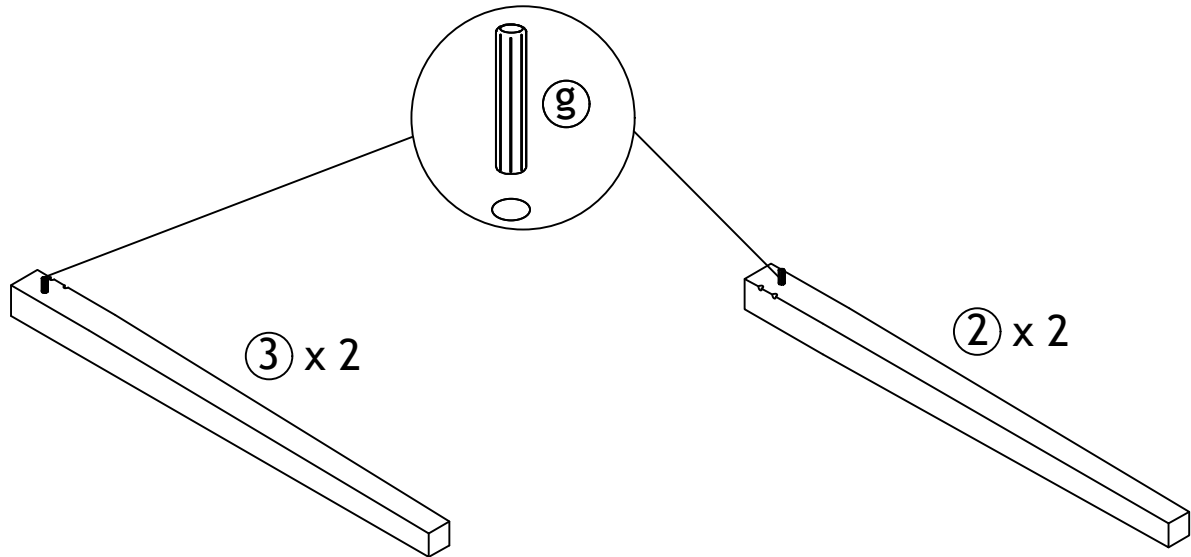


⑦ Wooden Dowel x 4

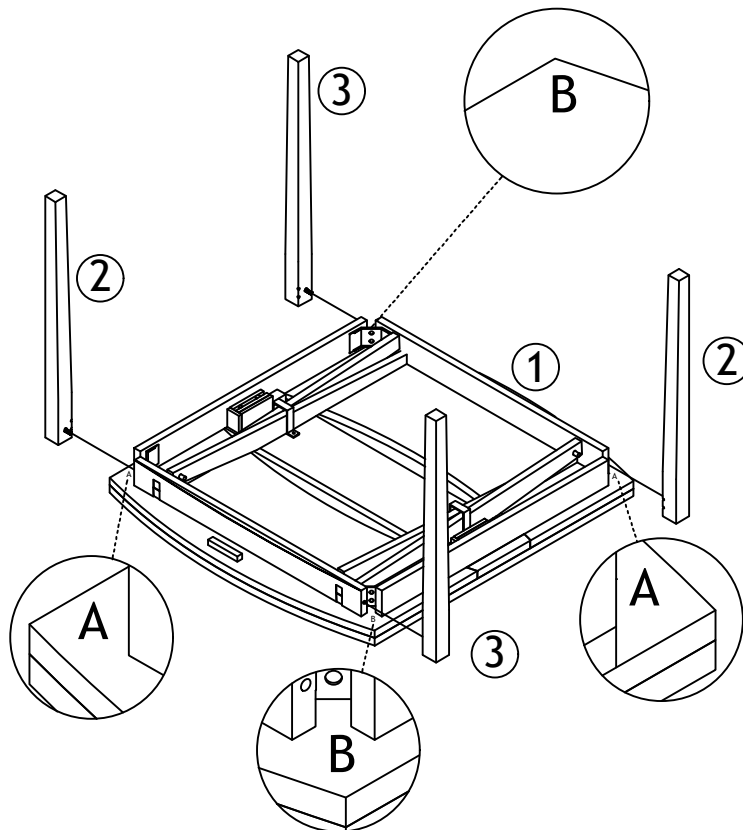


How To Assemble Your Table

Please follow these instructions carefully



1.



Lay table face down on a clean, flat, soft surface to prevent scratching.

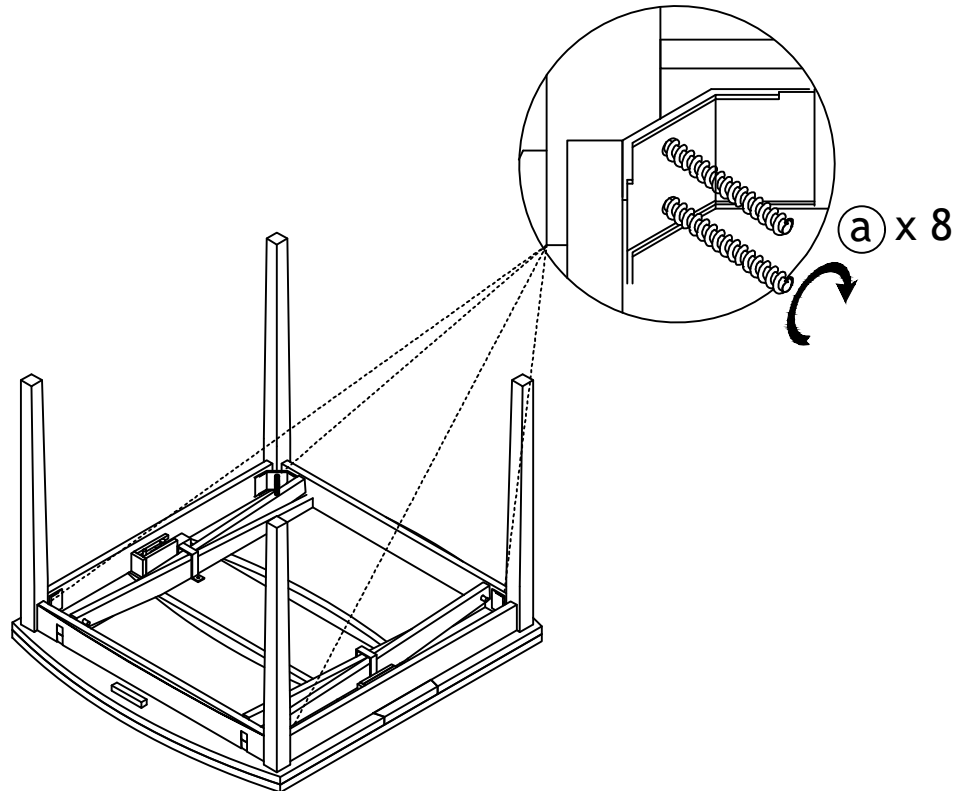
2.



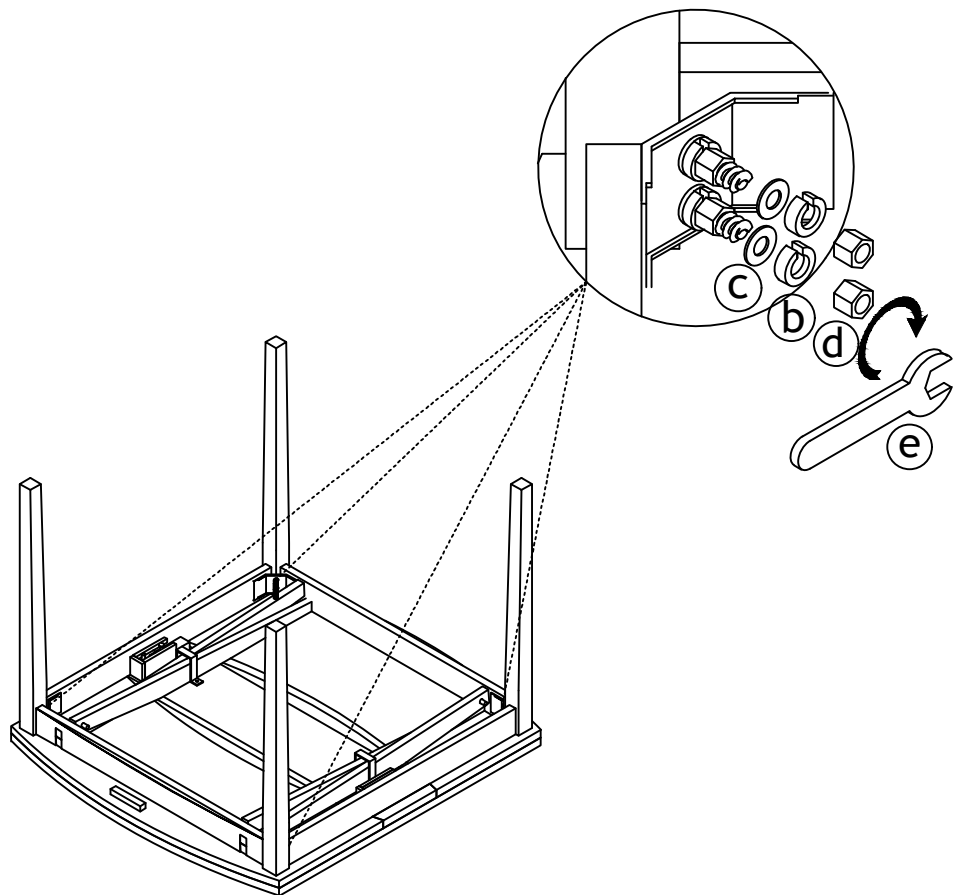
How To Assemble Your Table

Please follow these instructions carefully

3.



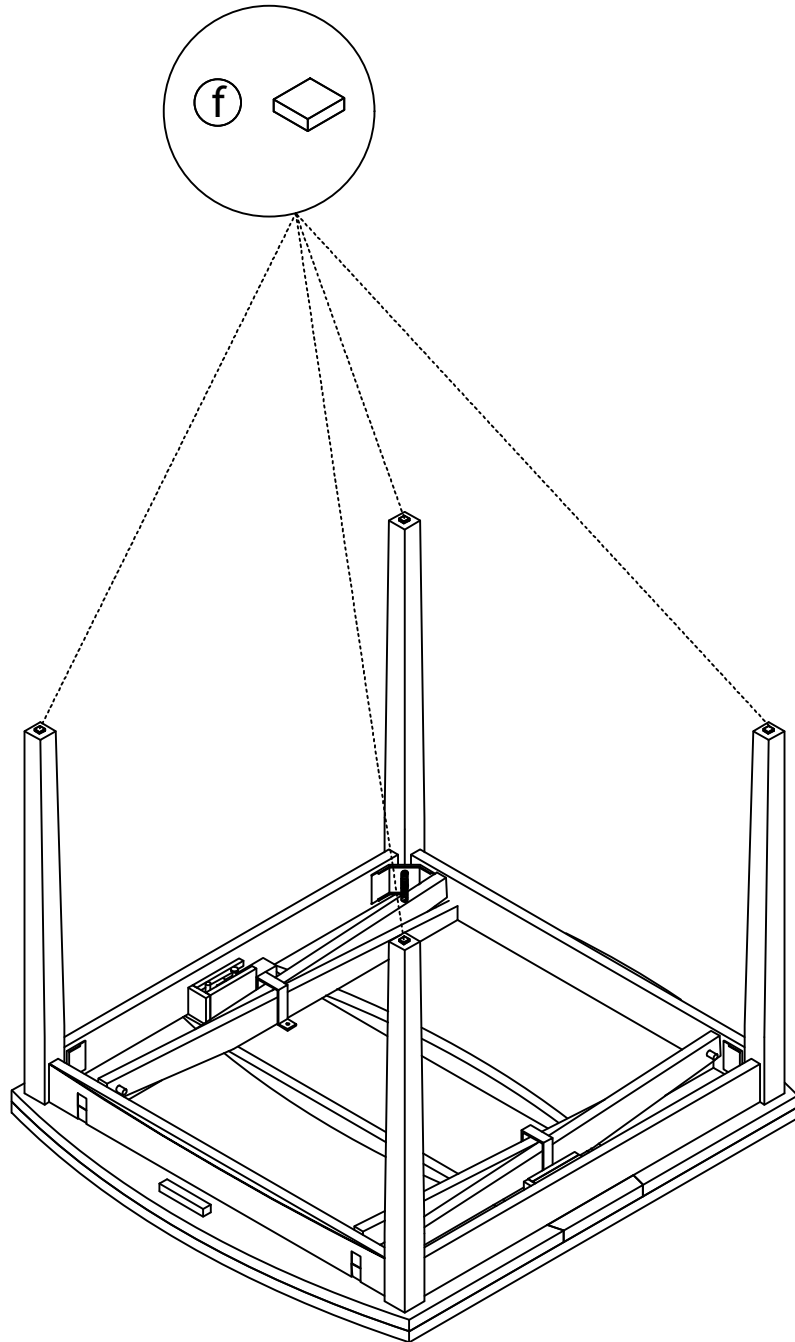
4.





How To Assemble Your Table

Please follow these instructions carefully

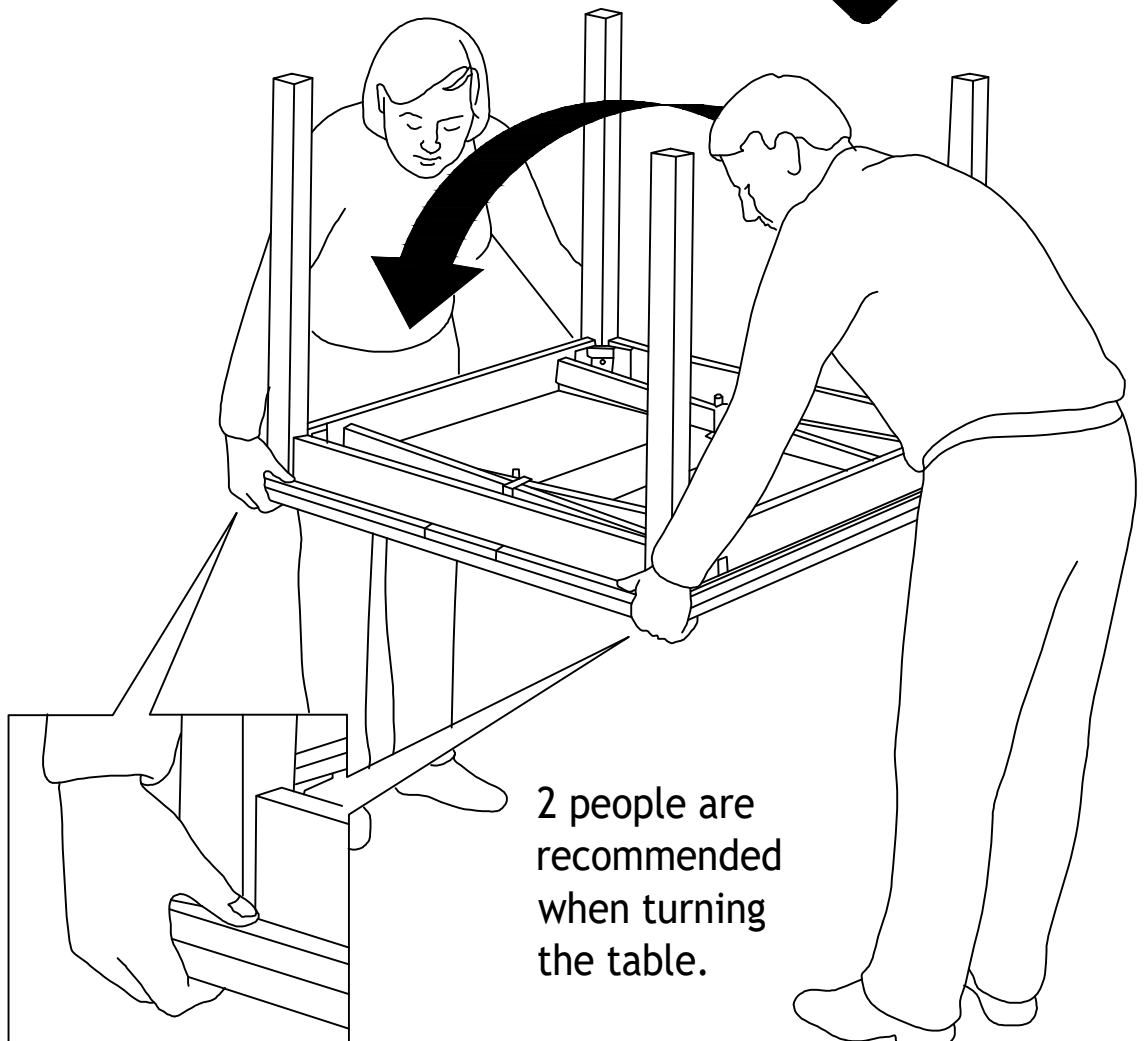
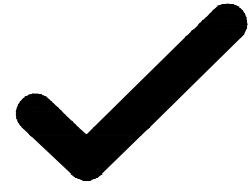
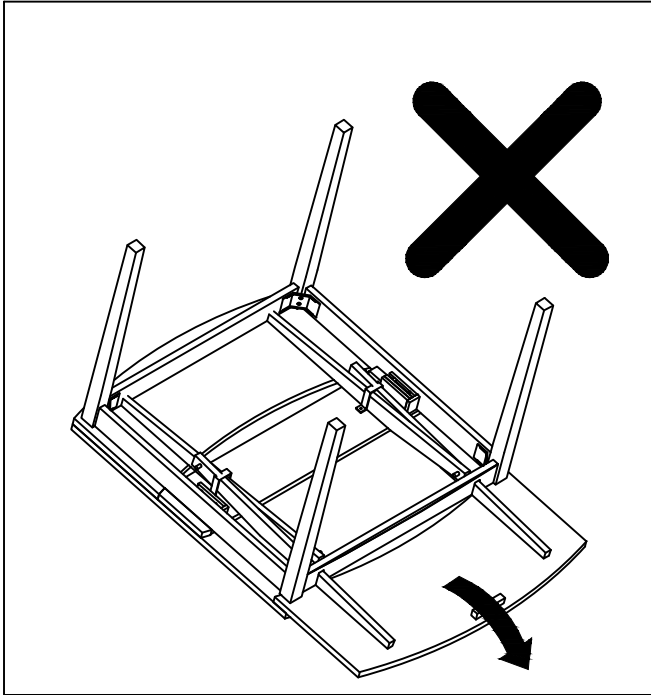


5.



How To Assemble Your Table

Please follow these instructions carefully



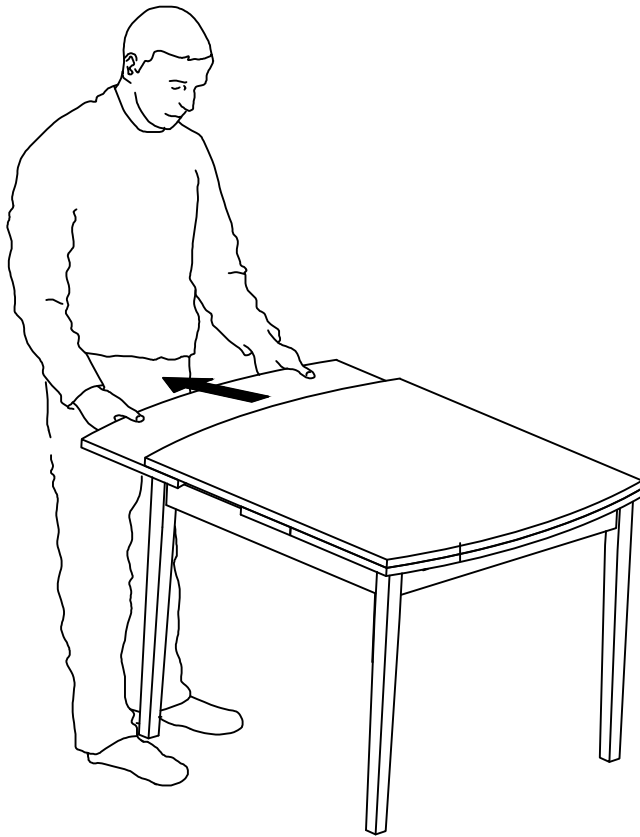
2 people are recommended when turning the table.

6.



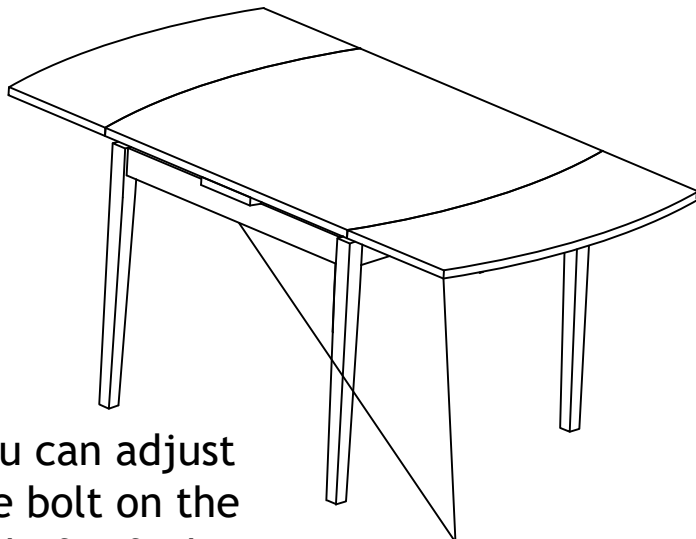
How To Open Your Table

Please follow these instructions carefully



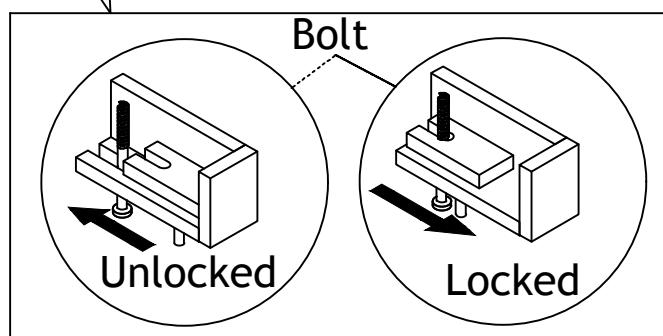
Take care not to trap fingers when opening and closing your table.

To open table, gently slide out the surface underneath the tabletop. This should now be level with the central section.



Underneath tabletop there is a lock. Slide to the lock position when table is fully opened. This will ensure the table surface won't tip up when in use.

You can adjust the bolt on the lock if it feels too tight or too loose.

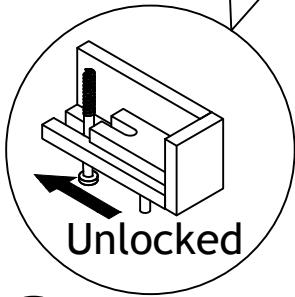
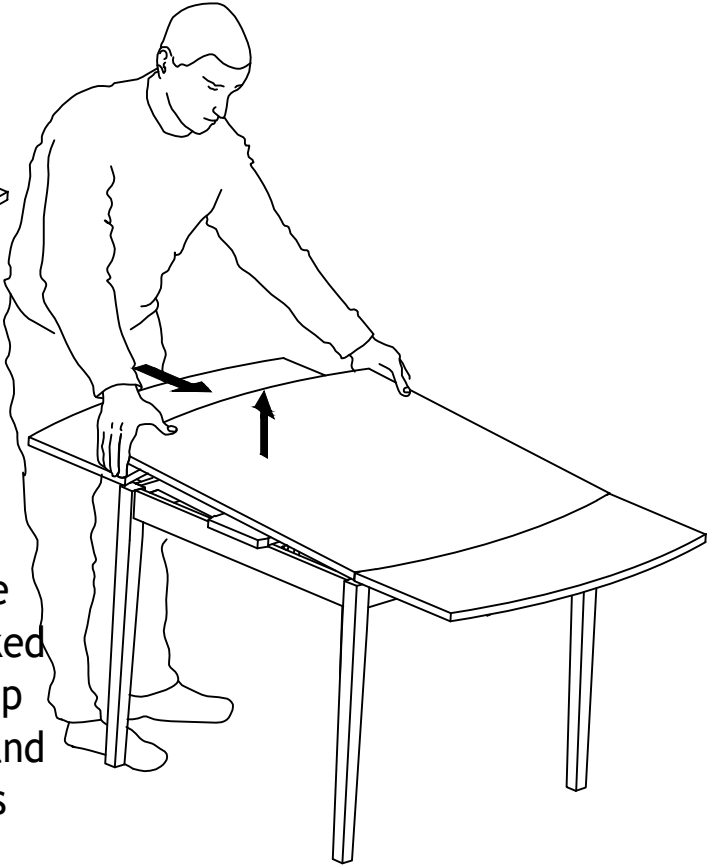
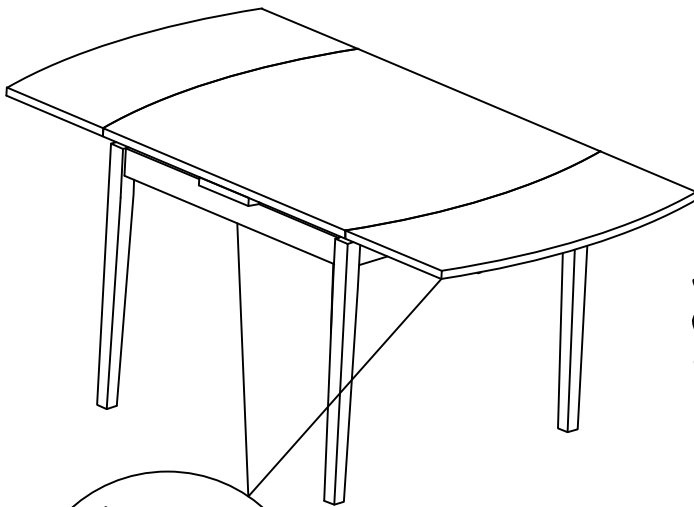


7.



How To Close Your Table

Please follow these instructions carefully



Unlocked

8.

To close table, first slide lock in opposite direction into unlocked position. Then, lift up the central section and gently push the sides underneath.



How To Use

Please read carefully

FINISH

Your Table is made from solid Oak

CARE

To clean your Table, wipe with a damp cloth followed by a dry cloth.

IMPORTANT

To ensure maximum performance from this product, we advise that you check and tighten all bolts and screws on a regular basis to avoid damage and strain to parts.

GUARANTEE

This instruction leaflet forms part of your guarantee. Please retain it. The

ROPO number along with your invoice number will need to be quoted in

all correspondence with Futon Company.

Thank you for choosing Futon Company.