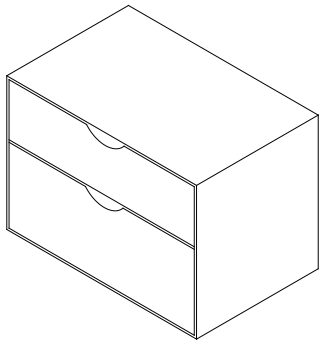


PO13000

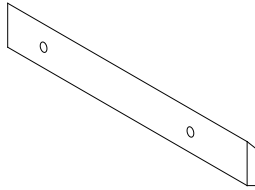
ST DT CLARK WALL DRWS



Parts Checklist



A X1

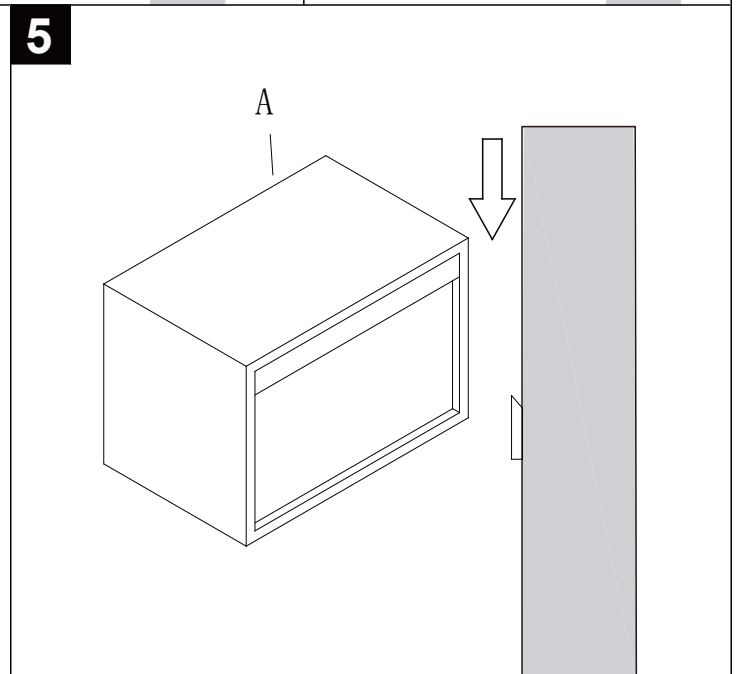
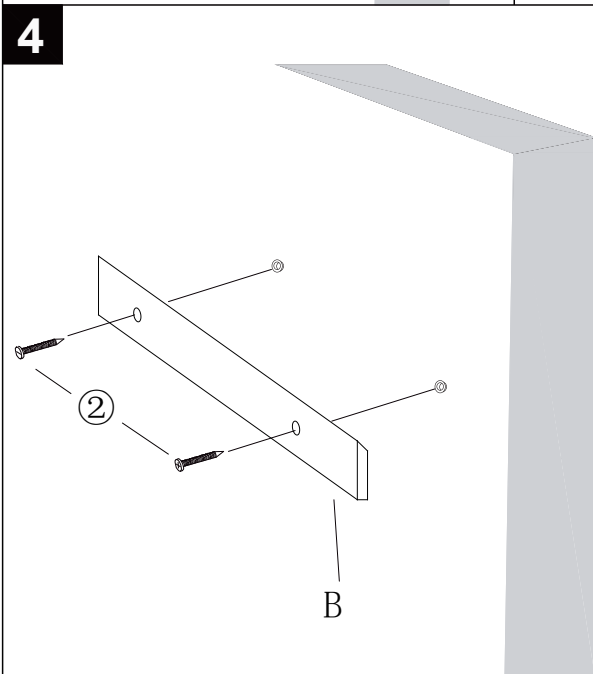
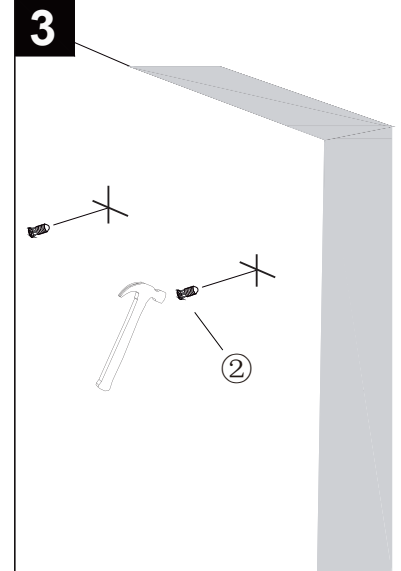
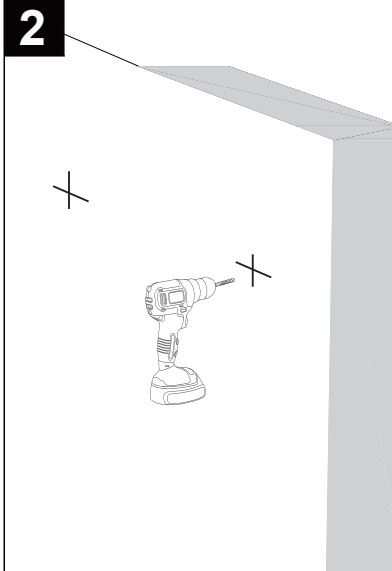
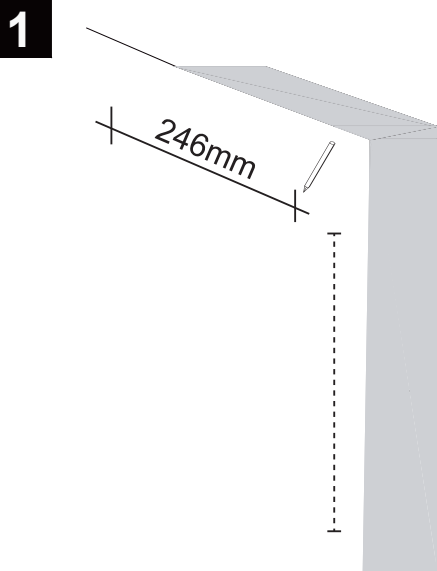


B X1

Fittings Checklist

①  X2
4*30mm

②  X2
6*30mm



Fittings to attach your drawers to the wall are supplied. But different wall constructions require fittings that are suitable for your wall type. If you are unsure for the correct type of fitting for your wall, please contact your local specialised hardware store for information on suitable fitting. Never allow children to climb on furniture.