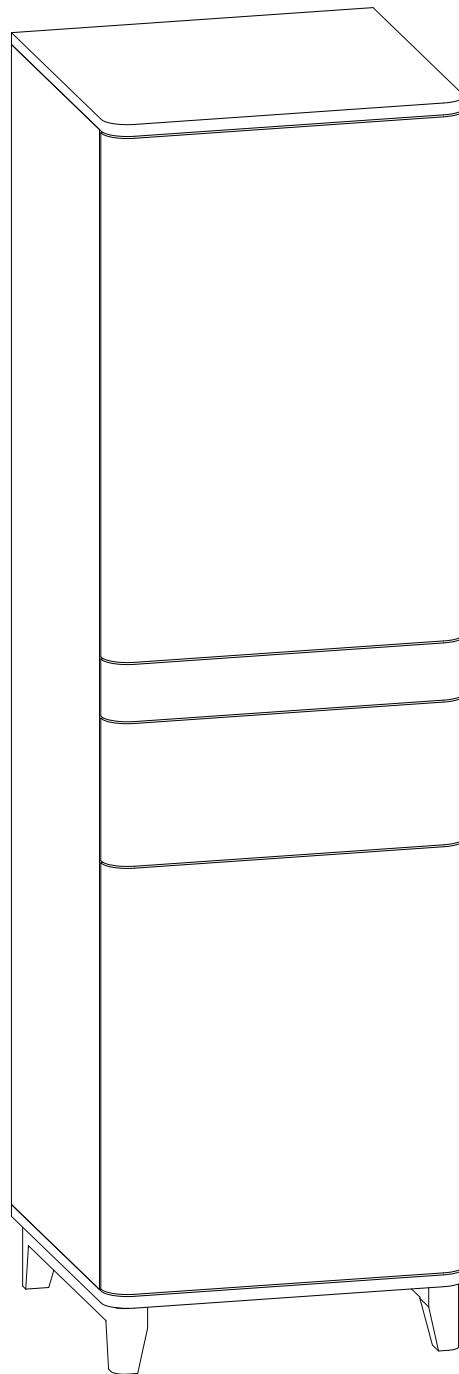


# ST KITCH GRACE LDR - PO12818



Assembly Instructions - Please keep for future reference.  
Important - Please read these instructions fully before starting assembly.



2PERS

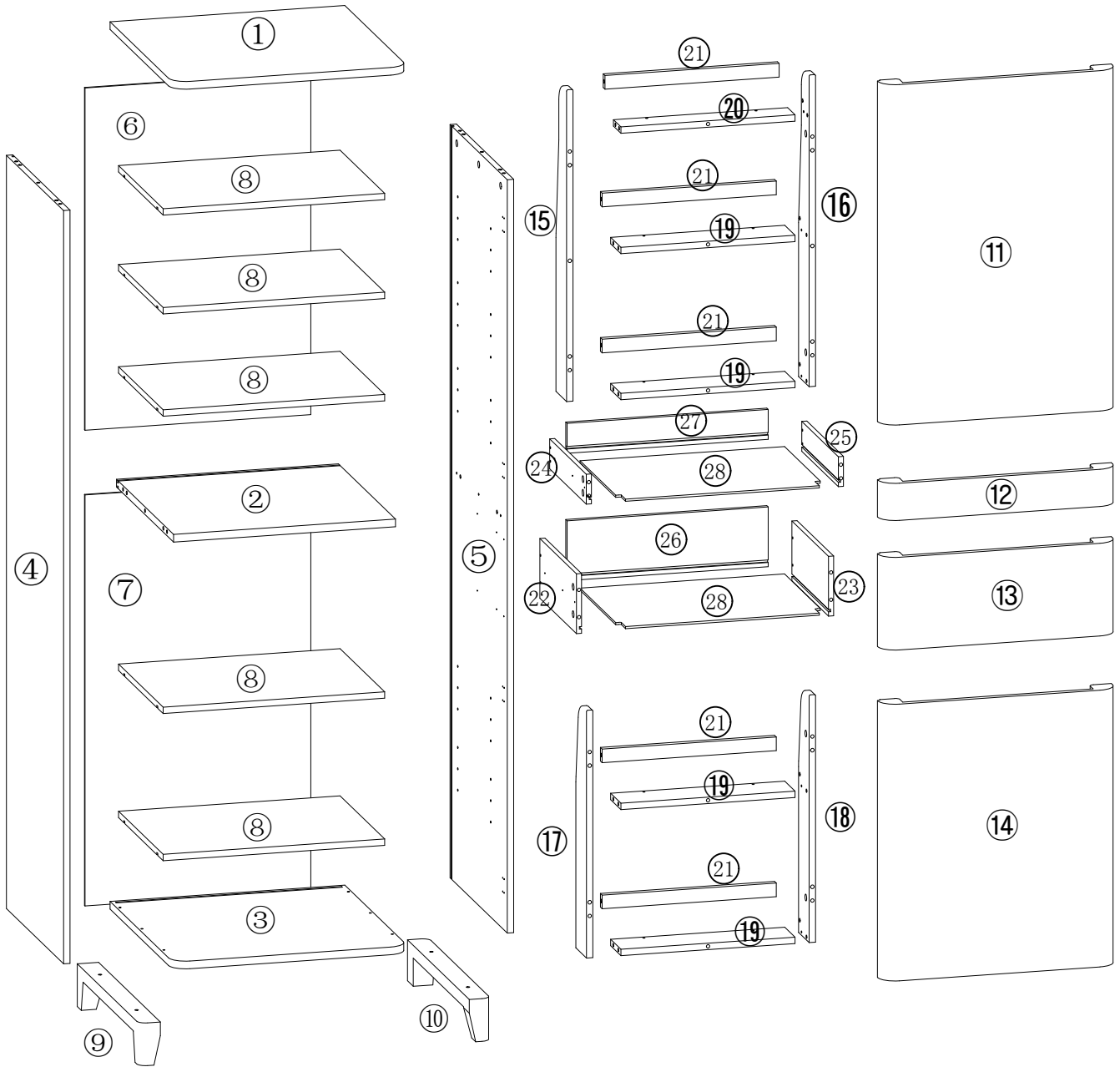


120 MIN

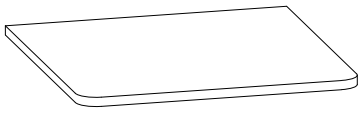

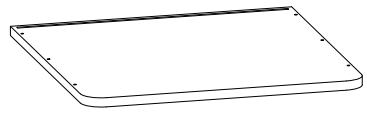
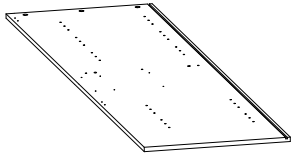
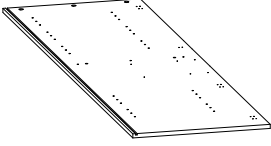
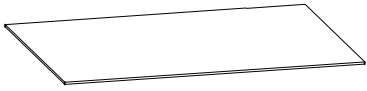
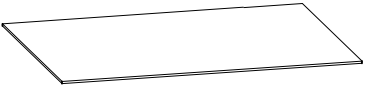

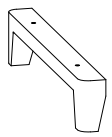
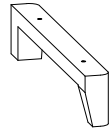
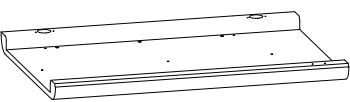


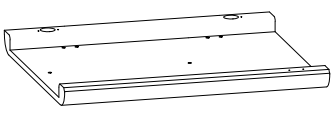
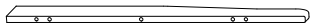

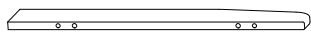
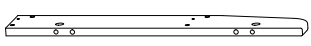
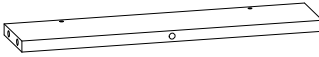
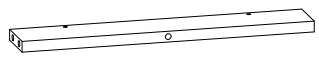

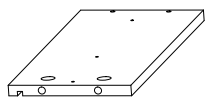
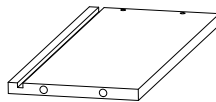
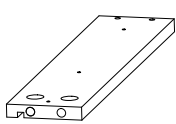
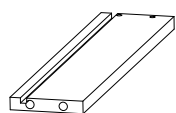



Tool Required Not Provided



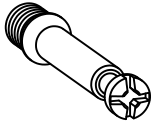








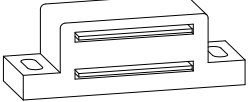



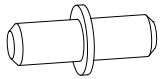
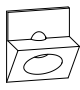

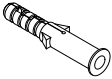
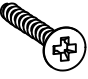

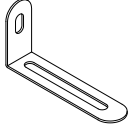

# Assembly Instructions



# Parts Checklist

			
① x 1pc	② x 1pc	③ x 1pc	④ x 1pc
			
⑤ x 1pc	⑥ x 1pc	⑦ x 1pc	
			
⑧ x 5pcs	⑨ x 1pc	⑩ x 1pc	⑪ x 1pc
			
⑫ x 1pcs	⑬ x 1pc	⑭ x 1pc	⑮ x 1pc
			
⑯ x 1pc	⑰ x 1pc	⑱ x 1pc	⑲ x 4pcs
			
⑳ x 1pc	㉑ x 5pcs	㉒ x 1pc	㉓ x 1pc
			
㉔ x 1pc	㉕ x 1pc	㉖ x 1pc	㉗ x 1pc
			
㉘ x 2pcs			

# Fittings Checklist

 M6x35mm	 Φ15x9mm	 Φ8x30mm	 M3x12mm
A x 43pcs	B x 43pcs	C x 38+4pcs	D x 16pcs
	 M4x30mm		 M4x16mm
E x 4pcs	F x 18pcs	G x 4pcs	H x 16pcs
 M3x16mm			 M4x50mm
I x 16pcs	J x 2pc	K x 1pc	L x 6pcs
 M6x35mm			
M x 4pcs	N x 20pcs	O x 8pcs	P x 2pcs
	 M4x35mm	 M4x16mm	
Q x 2pcs	R x 2pcs	S x 2pcs	T x 2pcs
 M4x20mm			
U x 8pcs			

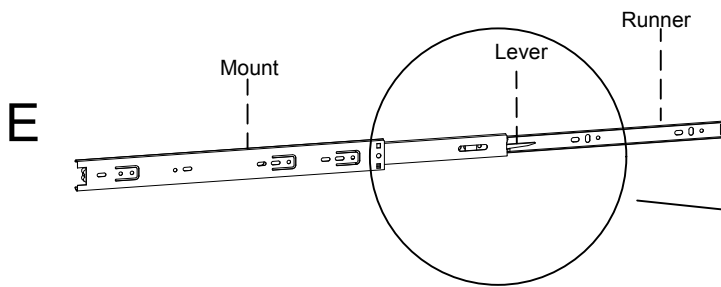
Please check and count every component carefully before you begin.

Note: The quantities listed are correct, but in some cases more fittings may be supplied than required.

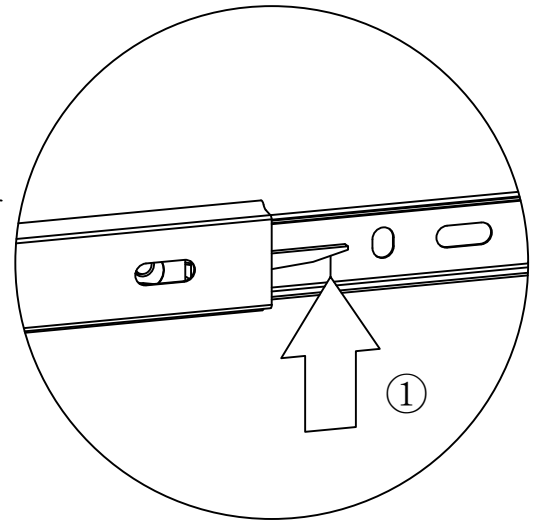
# Assembly Instructions

## STEP 1

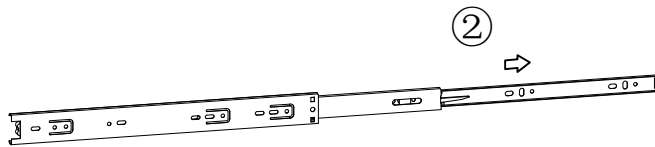
·Slides Must Be Separated Before Assembly.  
After Separated, Set Aside Until Needed for Assembly.



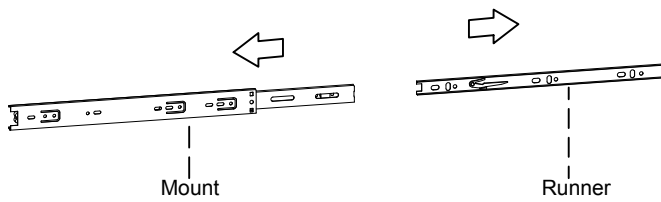
## STEP 2 : Push Lever UP



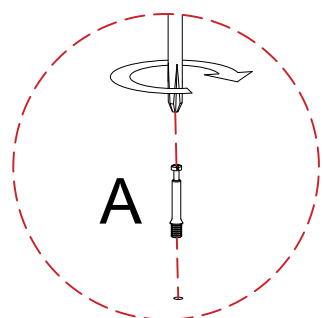
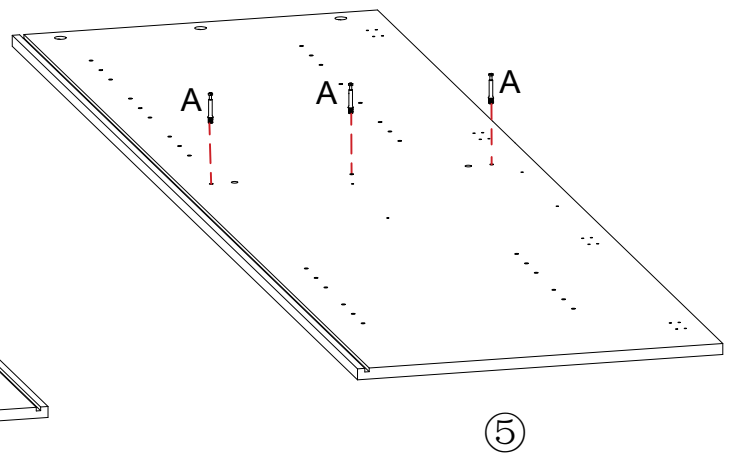
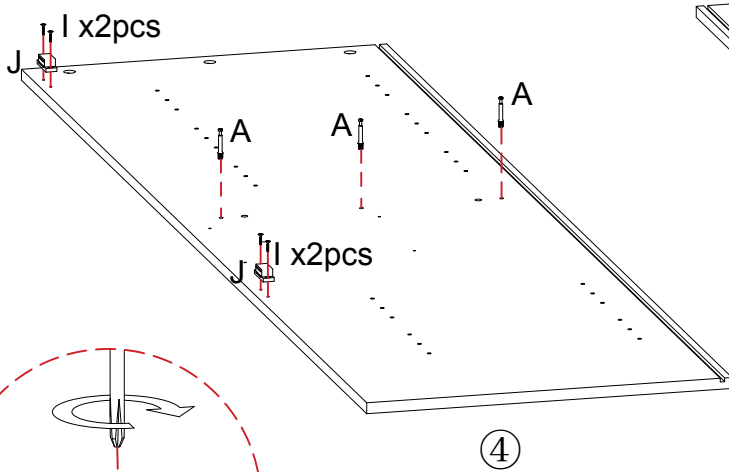
## STEP 1 : Extend Slide






## STEP 3 : Remove Runner



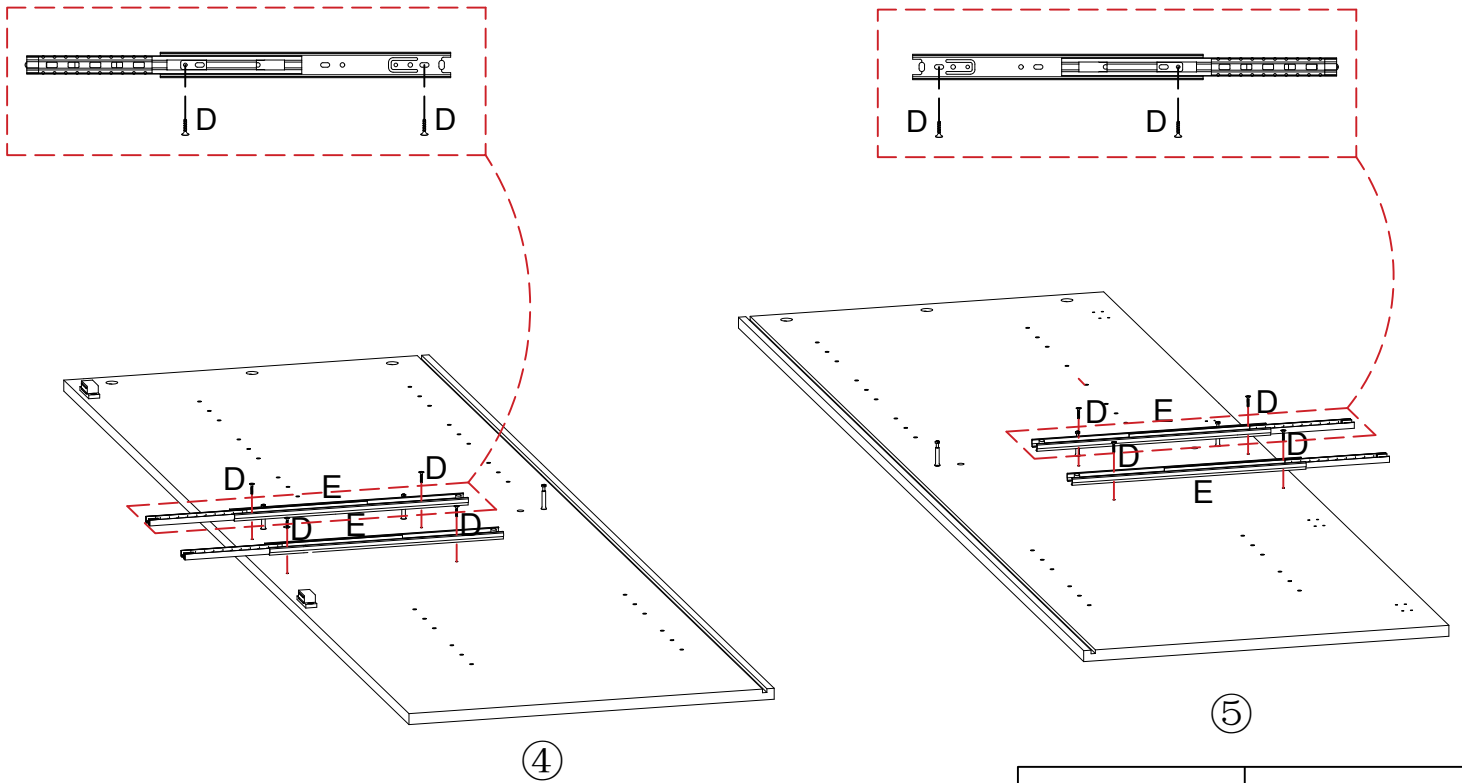
## STEP 2





	 M3x16mm	
A x6pcs	J x 4pcs	J x 2pcs

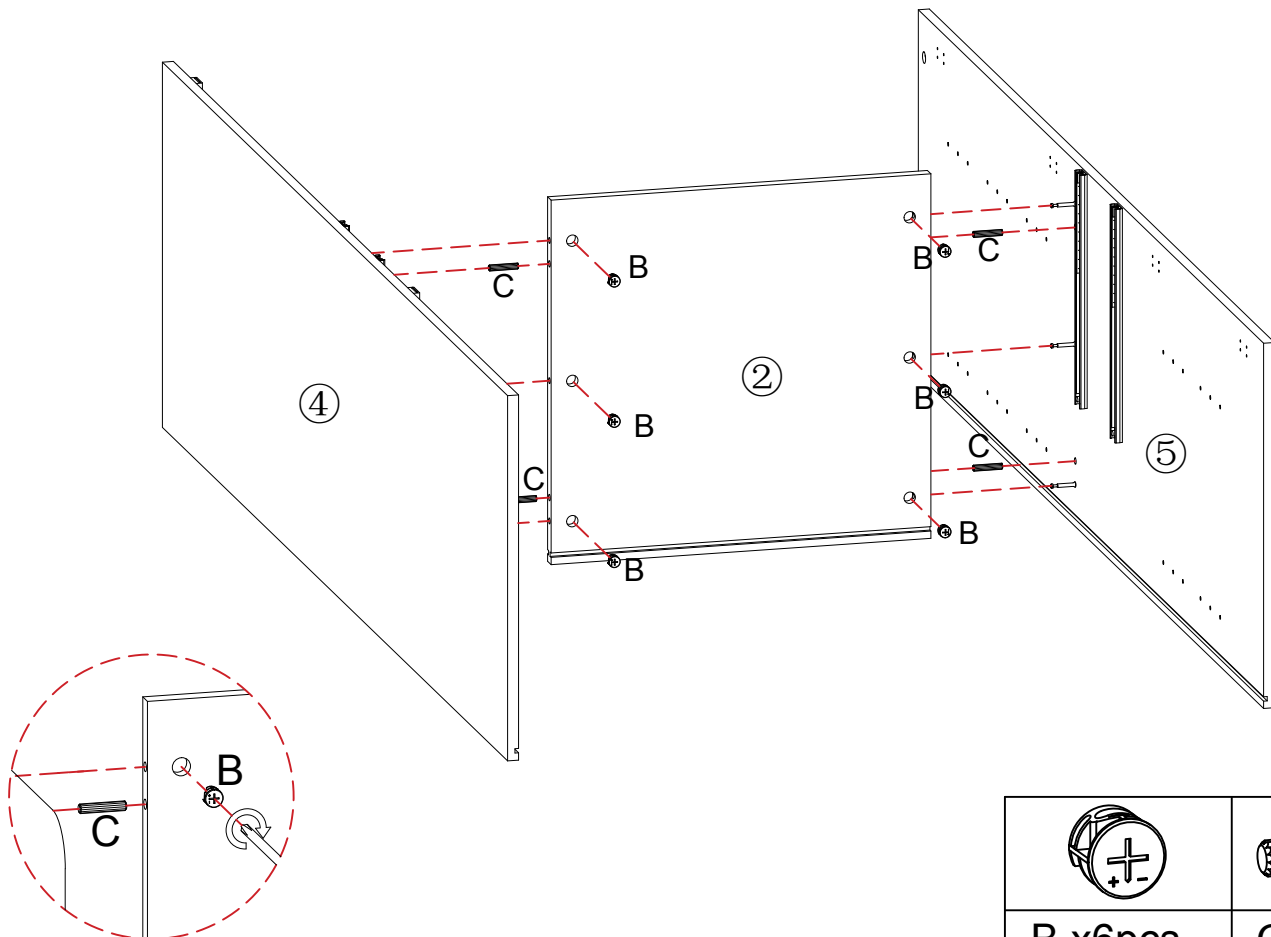
# Assembly Instructions



## STEP 3



 M3x12mm	 Mount
D x8pcs	E x 4pcs

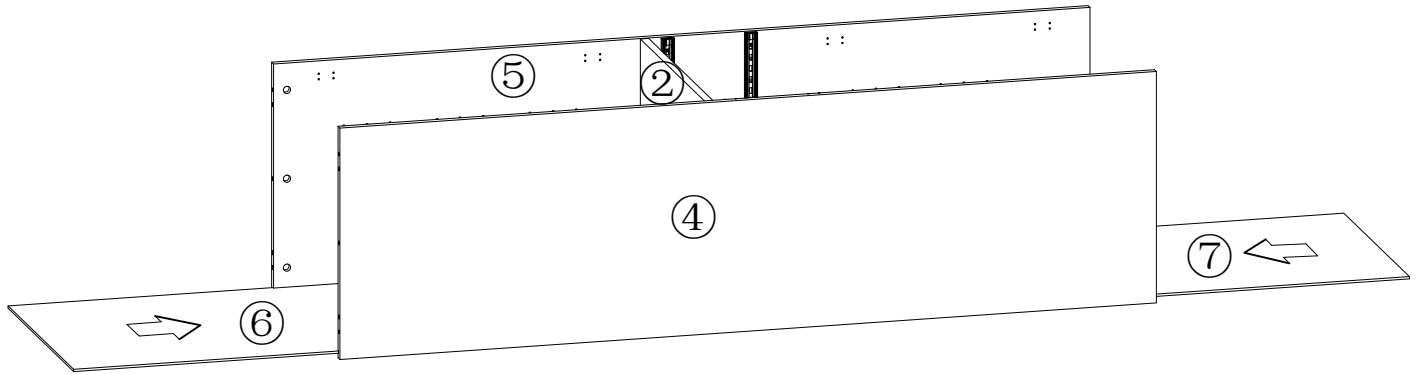
## STEP 4



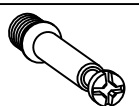
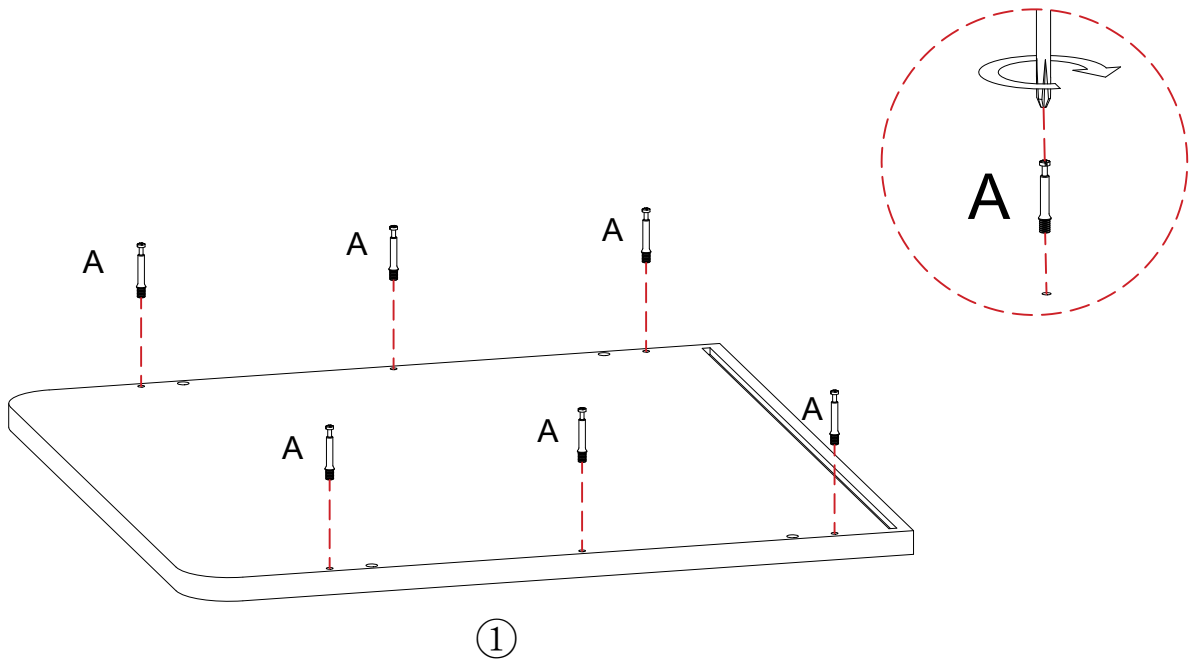
 B x6pcs	 C x 4pcs
--	---

# Assembly Instructions

## STEP 5



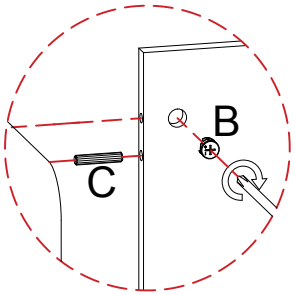
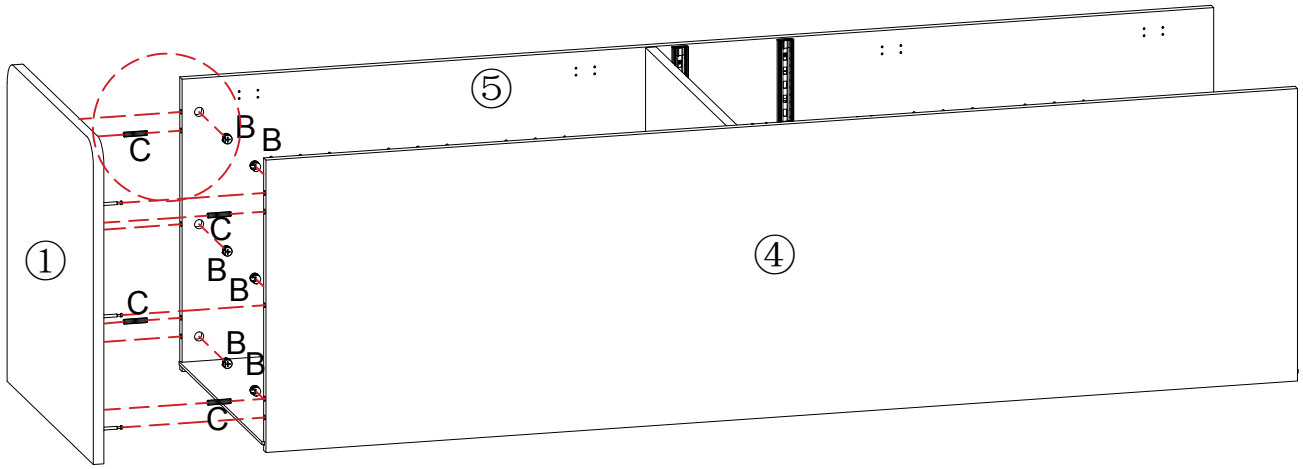
## STEP 6





A x6pcs

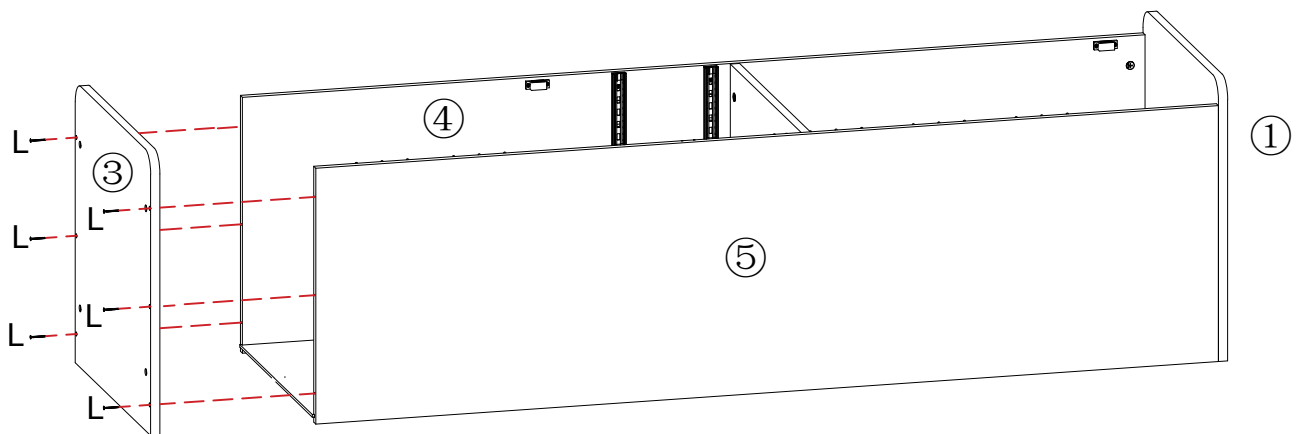
# Assembly Instructions

## STEP 7



	
B x6pcs	C x 4pcs

## STEP 8



Line up slot at back of Part 3 with back panel Part 7.

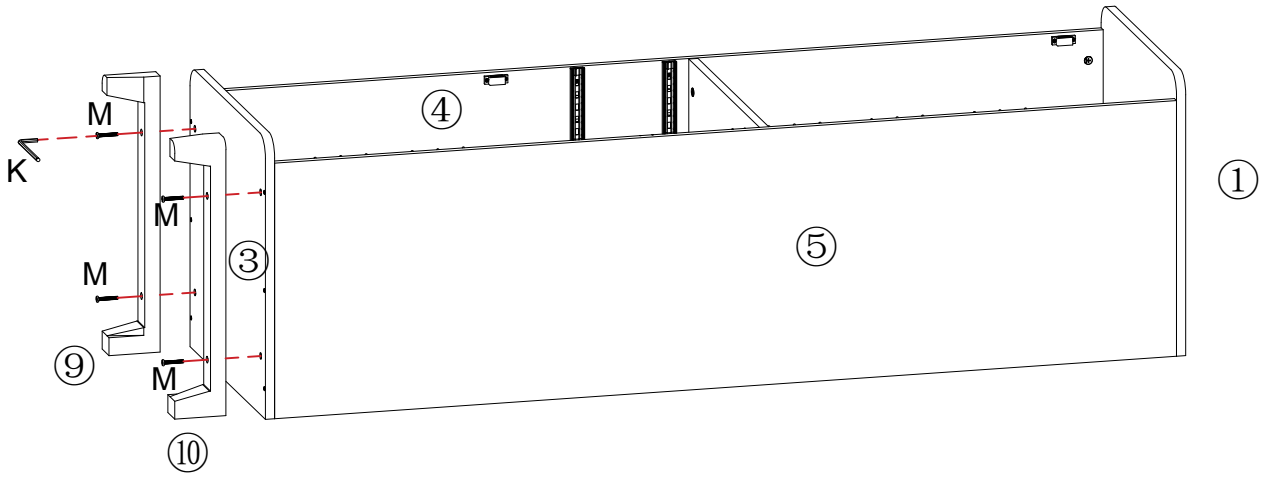
Align edges of Parts 4 & 5 with sides of Part 3.



Hold in place and tighten the screws into Parts 4 and 5.



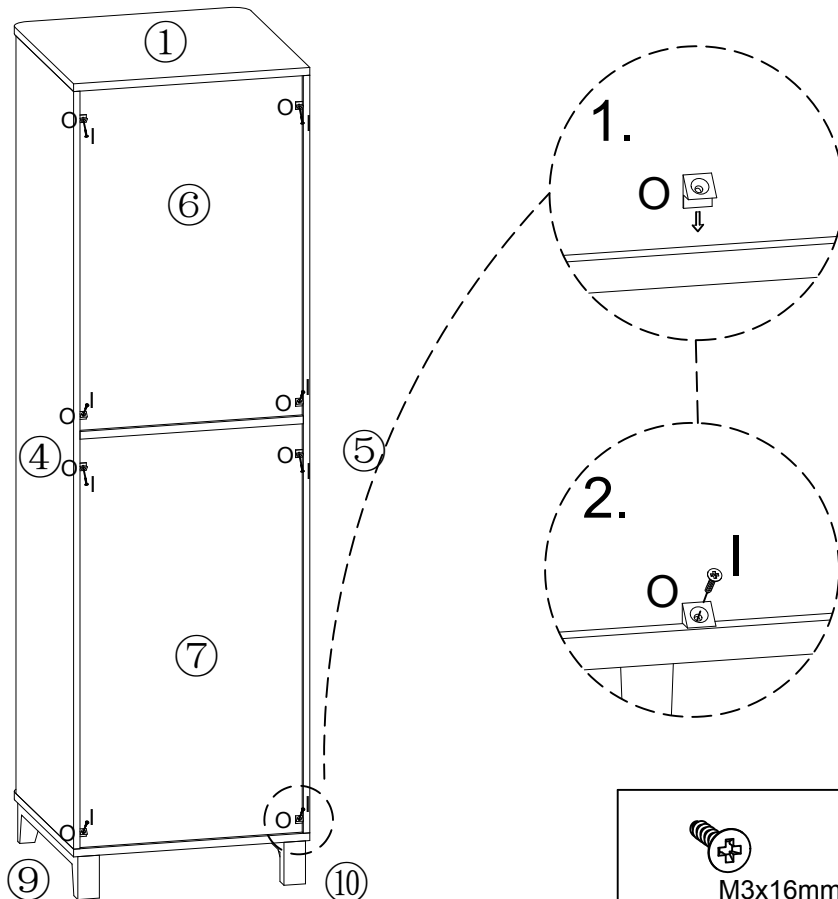
# Assembly Instructions



## STEP 9



 M6x35mm	
M x 4pcs	K x 1pc

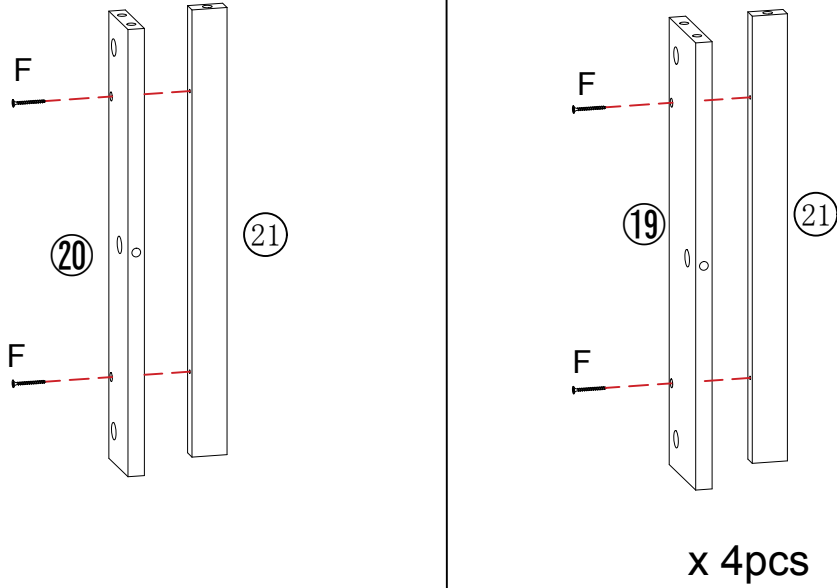
## STEP 10



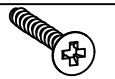
 M3x16mm	
I x 8pcs	O x 8pcs

# Assembly Instructions

## STEP 11



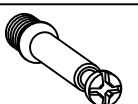
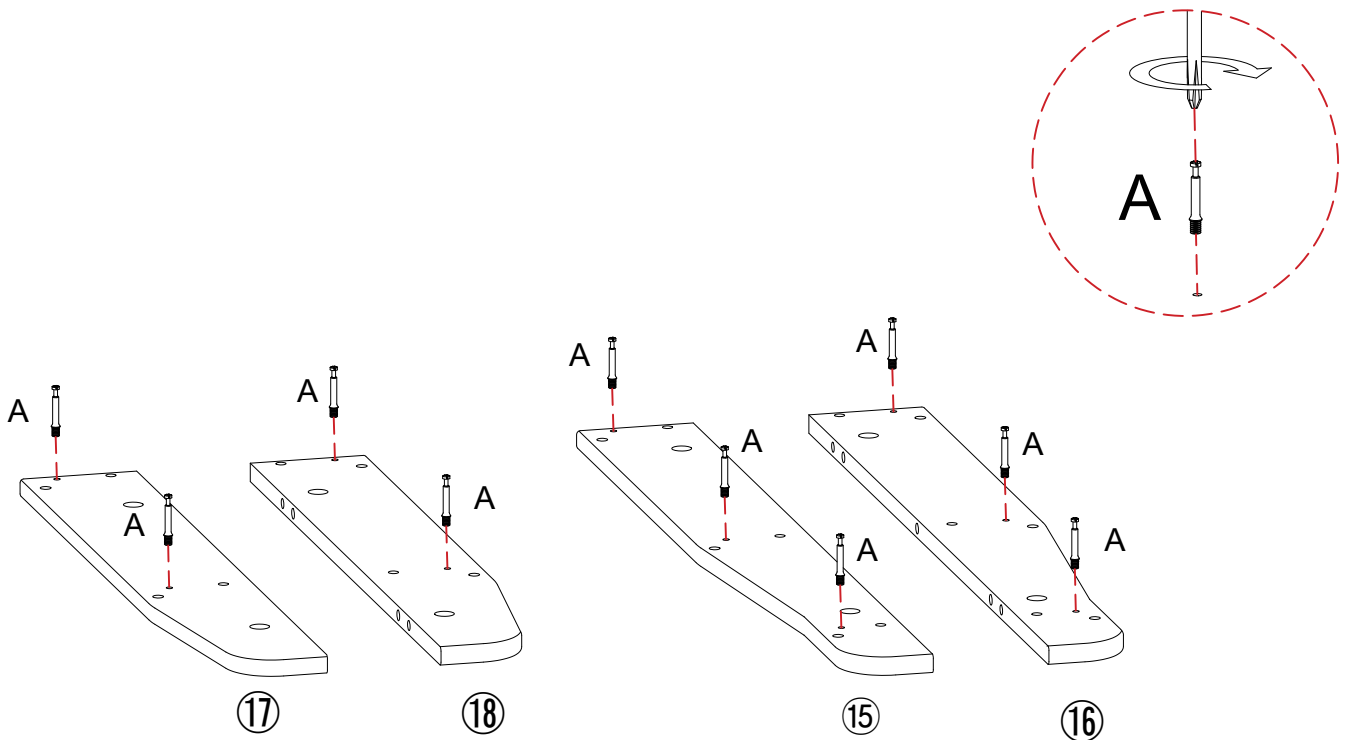
x 4pcs



M4x30mm

F x 10pcs

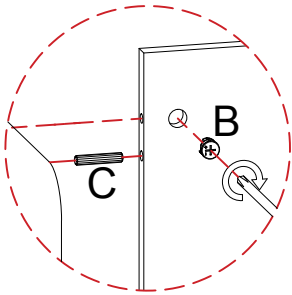
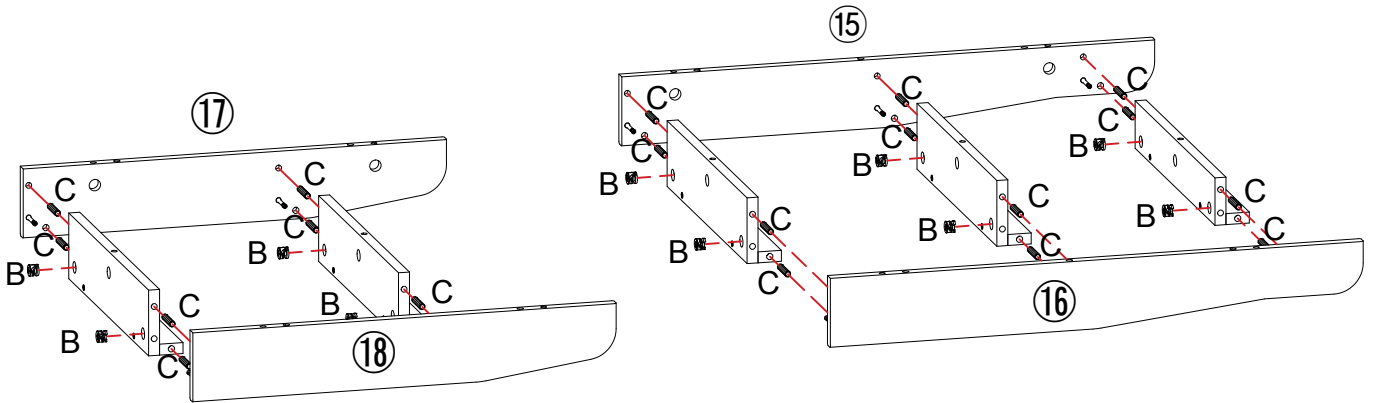
## STEP 12





A x 10pcs

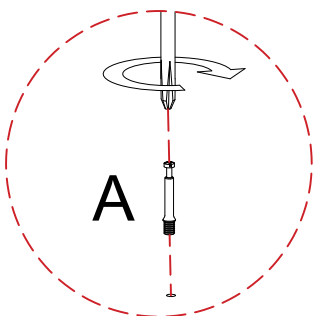
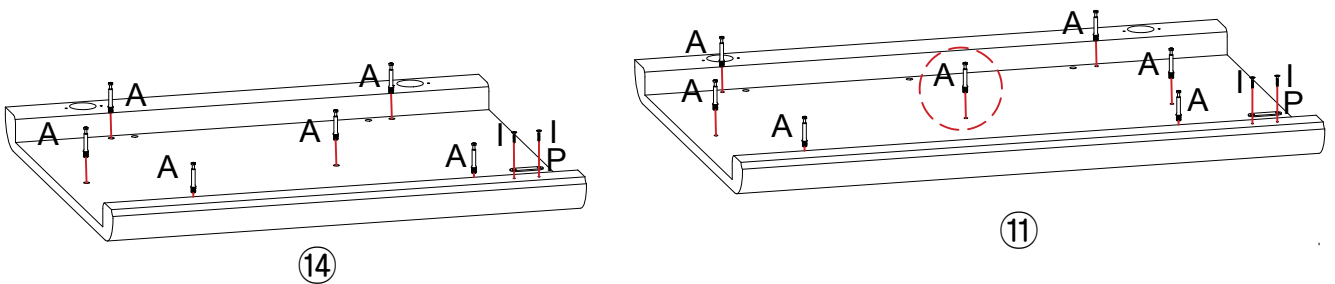
# Assembly Instructions




## STEP 13



	
B x 10pcs	C x 20pcs

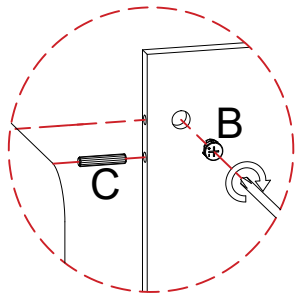
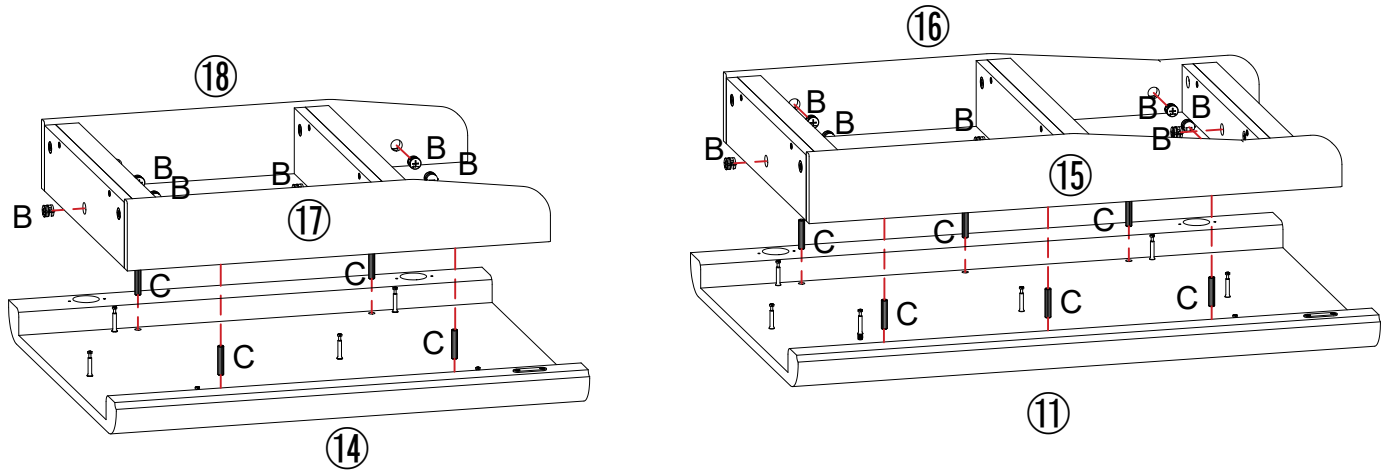
## STEP 14





		
A x 13pcs	I x 4pcs M3x16mm	P x 2pcs

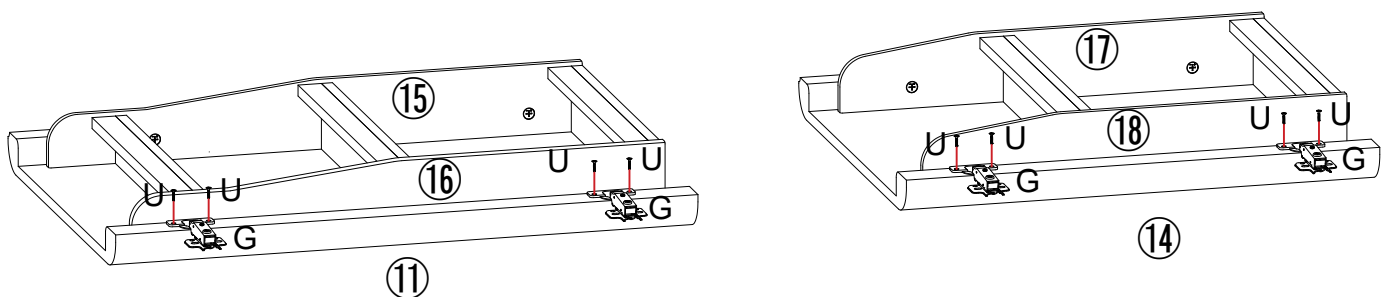
# Assembly Instructions



## STEP 15



	
B x 13 pcs	C x 10 pcs

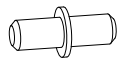
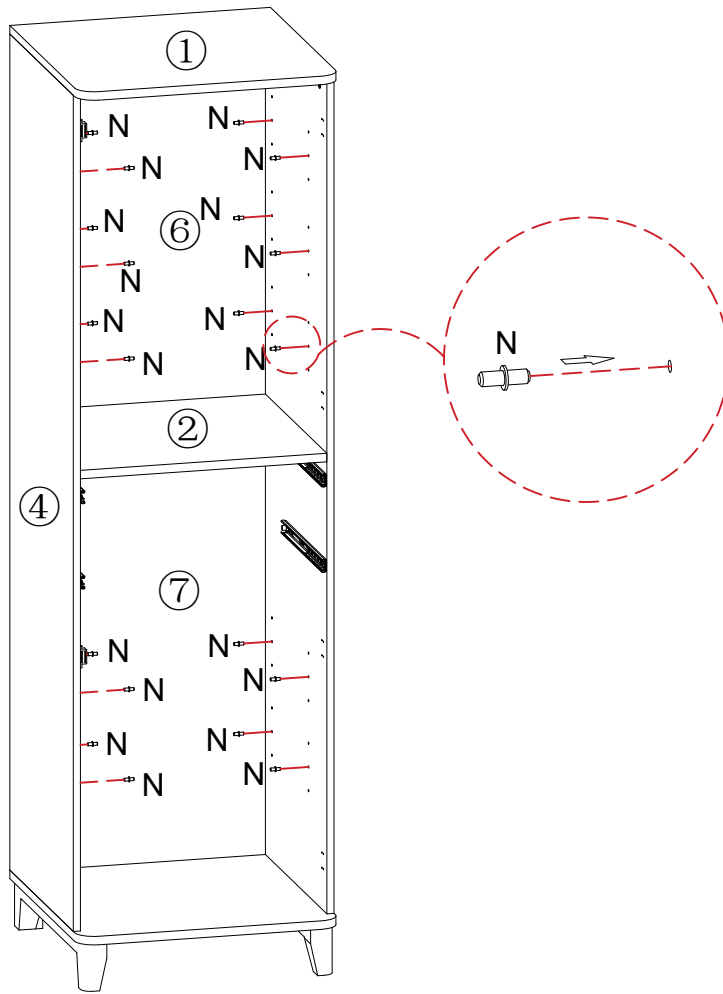
## STEP 16



	
G x 4 pcs	U x 8 pcs

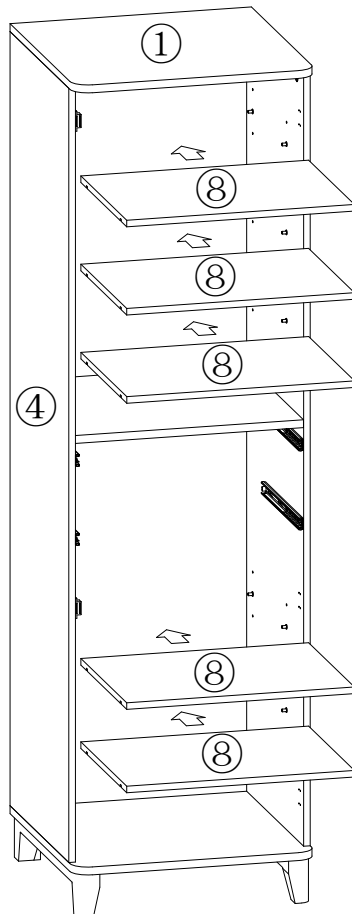
# Assembly Instructions

STEP 17



N x 20pcs

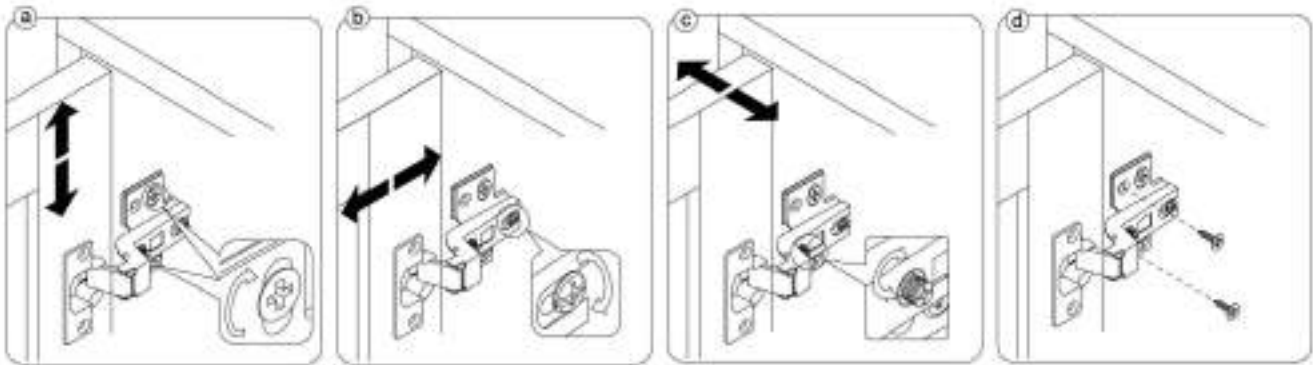
STEP 18



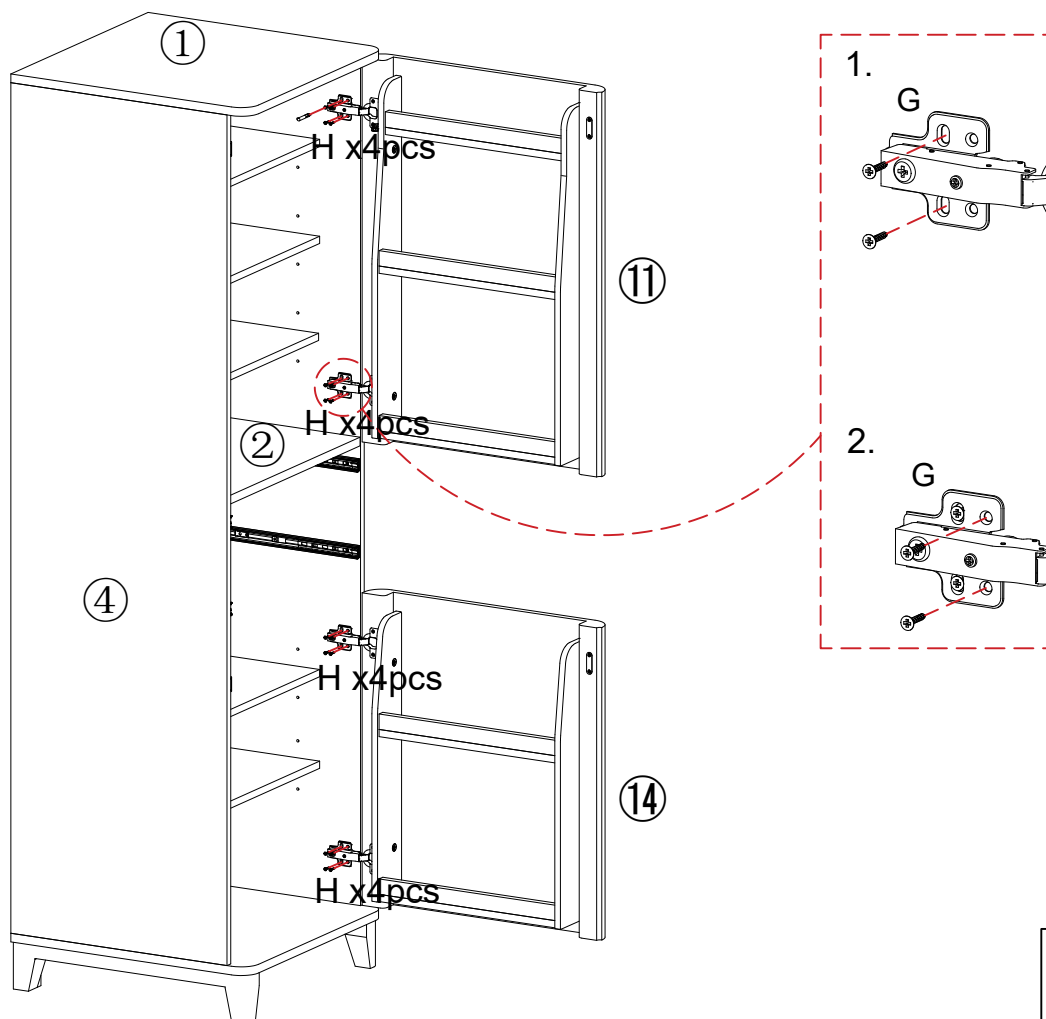
# Assembly Instructions

## STEP 19

When the hinges are installed, you can adjust the door by following the instructions below.



1. To adjust the doors up and down, please refer to step (a)
2. To adjust the distance between the doors and side panels, please refer to step (b)
3. To adjust the gap between two doors, please refer to step (c)
4. After the adjustment is finished, please tighten the screws. Refer to step (d)



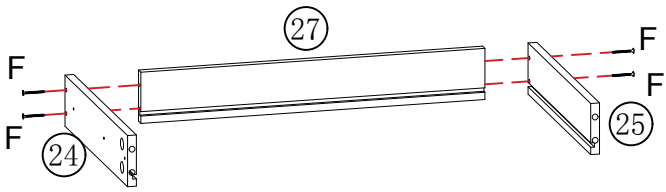
M4x16mm

H x 16pcs

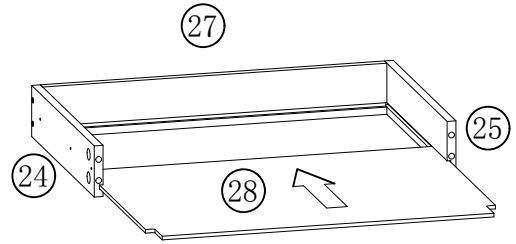
# Assembly Instructions

## STEP 20

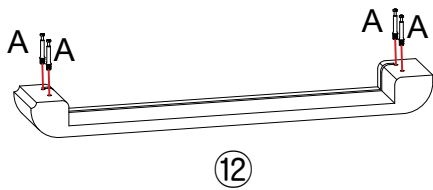
1.



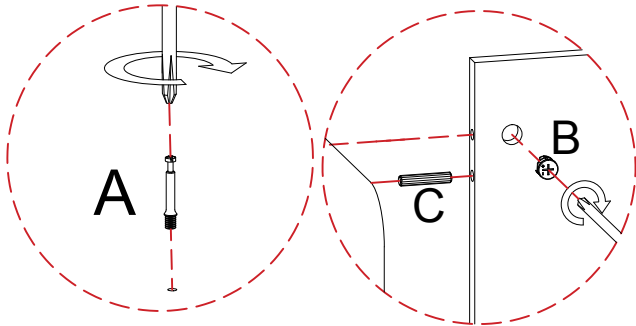
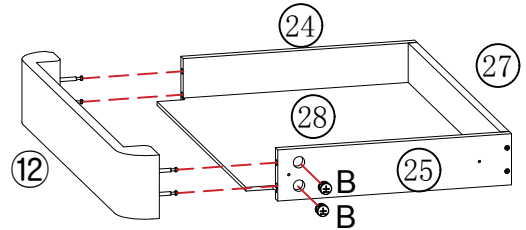
2.

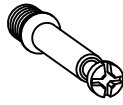




3.



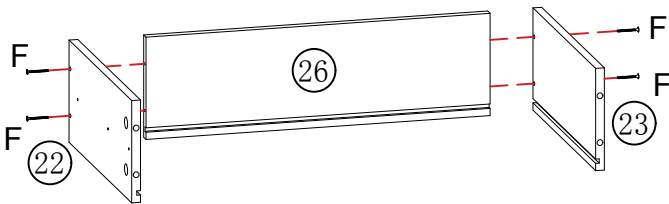
4.



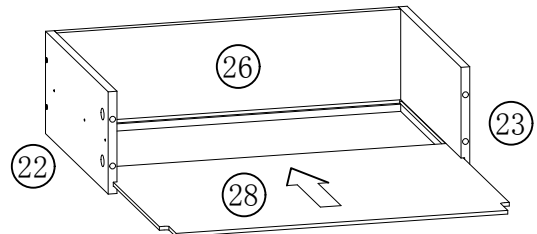
		 M4x30mm
A x 4pcs	B x4pcs	F x 4pcs

## STEP 21

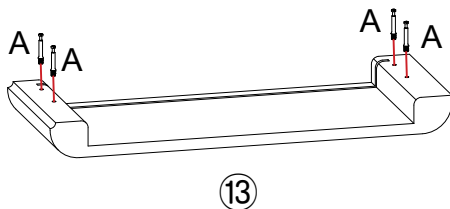
1.



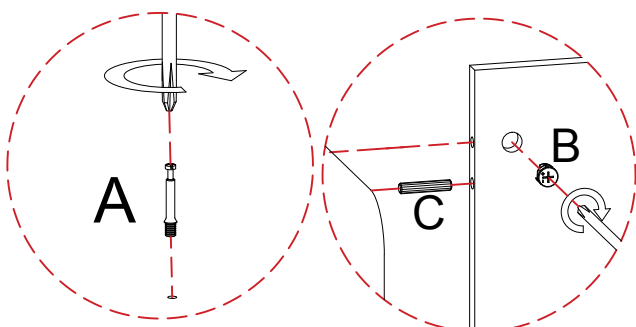
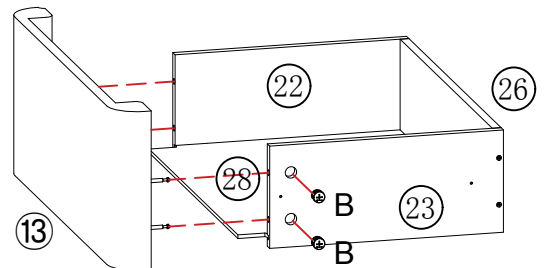
2.

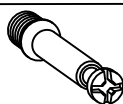

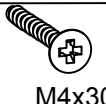


3.



4.

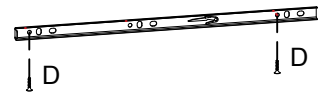


		 M4x30mm
A x 4pcs	B x4pcs	F x 4pcs

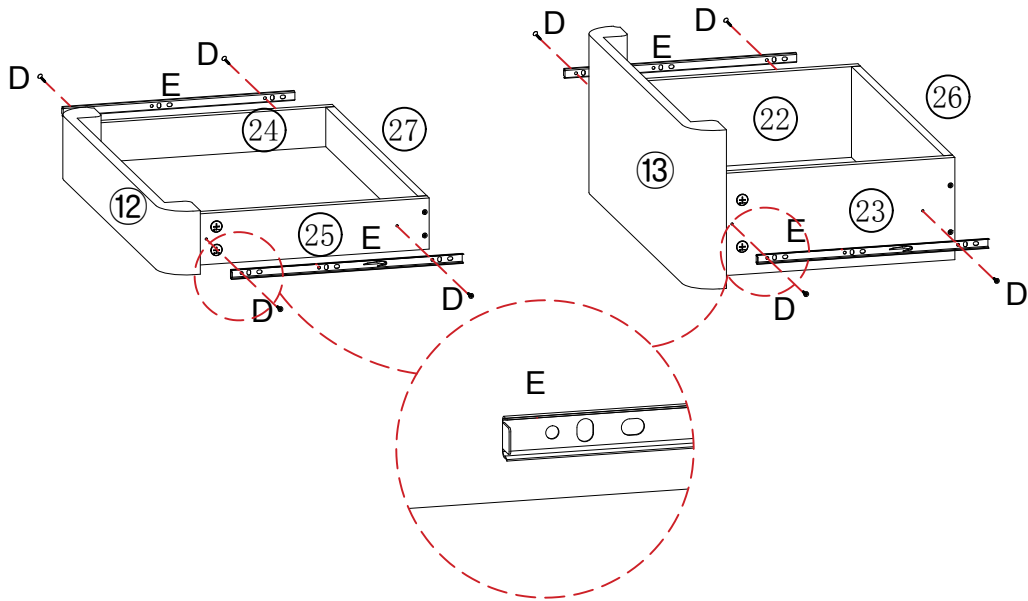
# Assembly Instructions

## STEP 22

orientation



Runner



M3x12mm

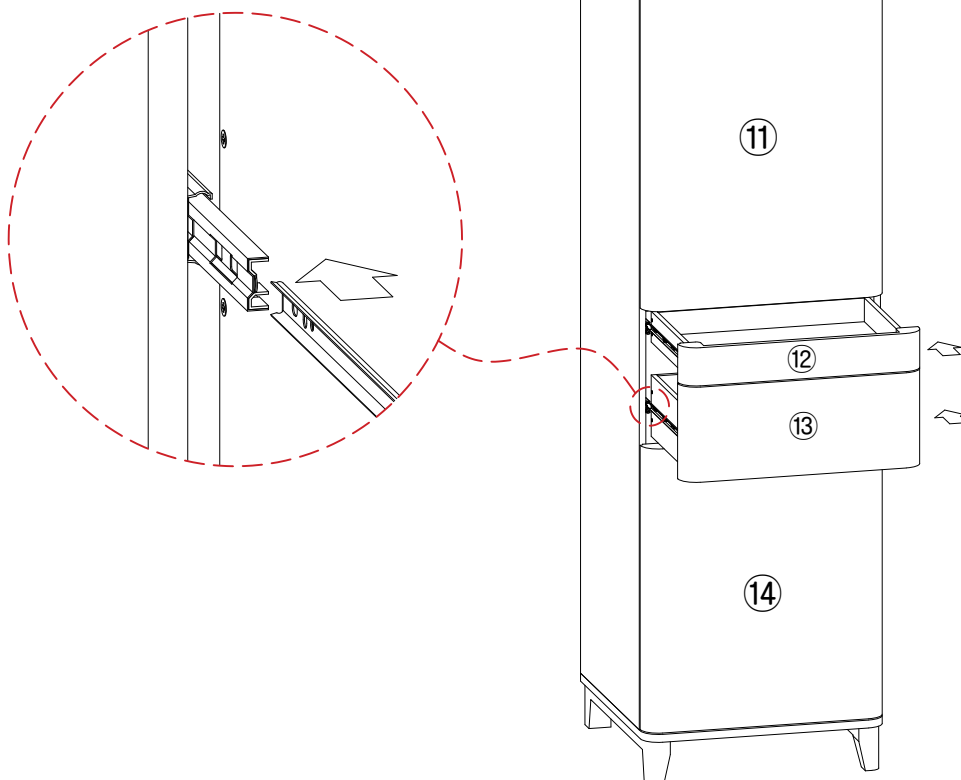


Runner

D x 8pcs

E x 4pcs

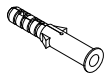


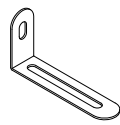
## STEP 23

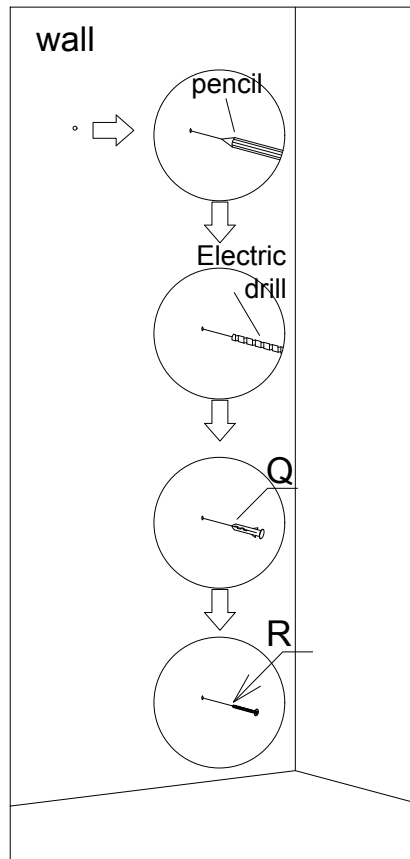
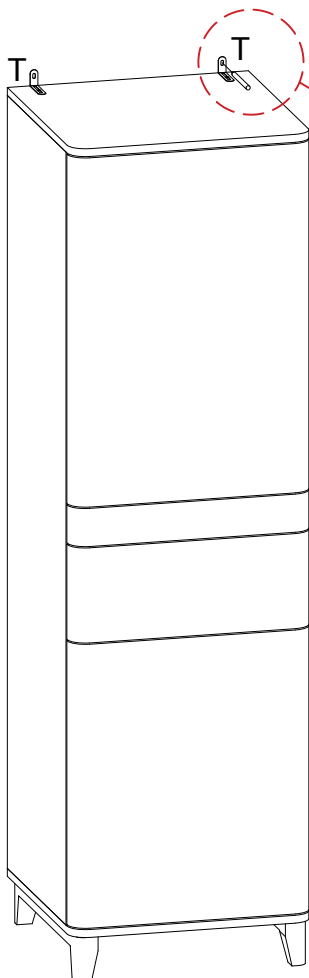
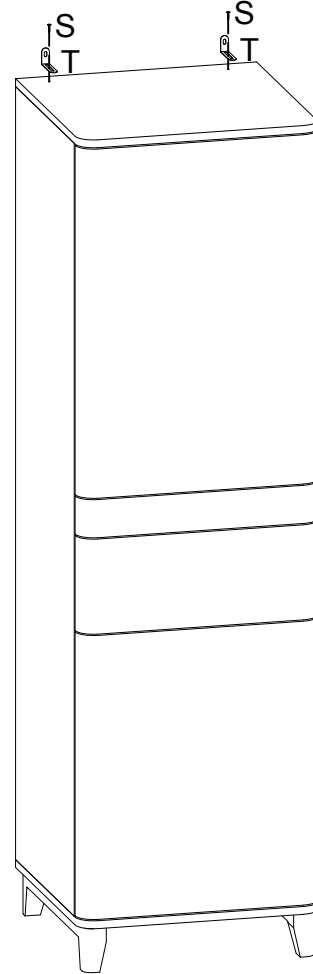


# Assembly Instructions

STEP 24

## Instructions to secure your Larder.

	 M4x35mm
Q x 2pcs	R x 2pcs
 M4x16mm	
S x 2pcs	T x 2pcs



**IMPORTANT!** We recommend this unit is fixed to the wall for stability and security.

1. Move the unit into place. Follow diagram steps to fix unit to wall.
2. The fittings R & Q included may not be correct for your wall type. Contact your local specialised hardware store for advice on suitable fixing.