

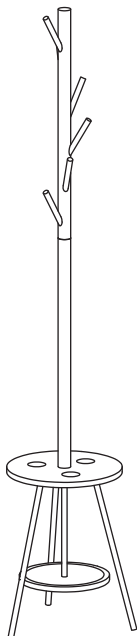
Assembly Instructions

Flax Coat Stand

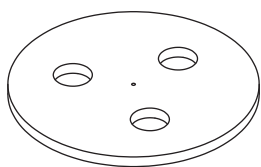
FUTON
C O M P A N Y

Experts in small space living

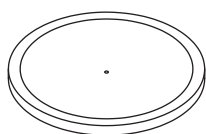
ST FLAX COAT



Parts Checklist



① x1



② x1



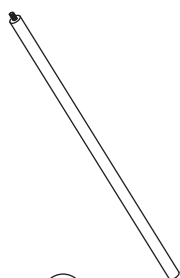
③ x1



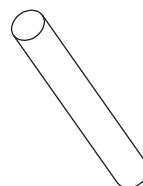
④ x1



⑤ x1

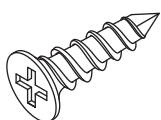


⑥ x3

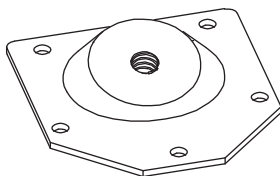


⑦ x7

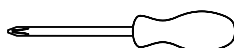
Fittings Checklist



(a) Screw x16

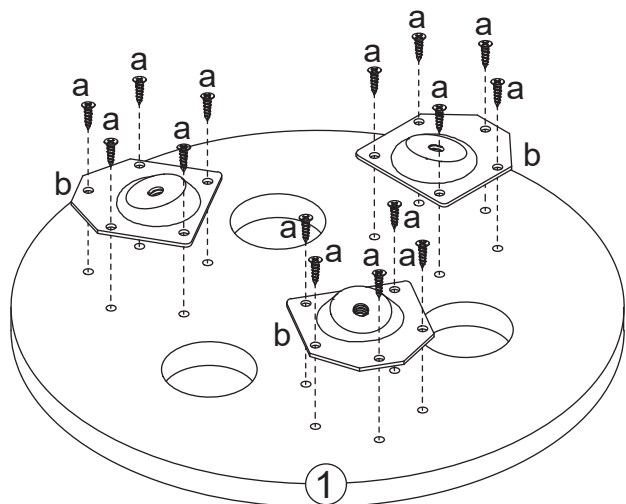


(b) Metal plate x 3

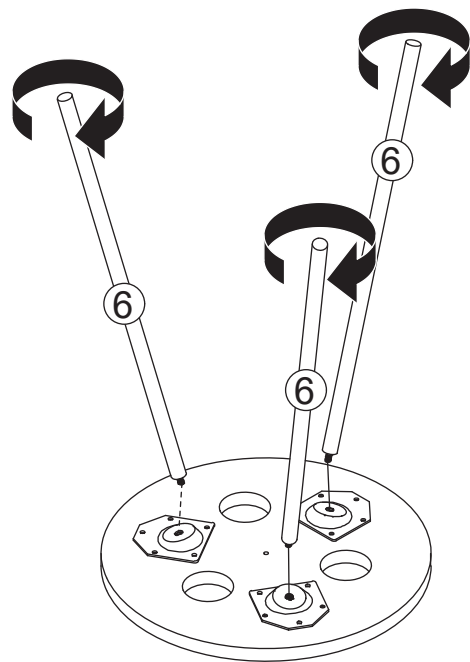


Cross head Screwdriver also required for assembly

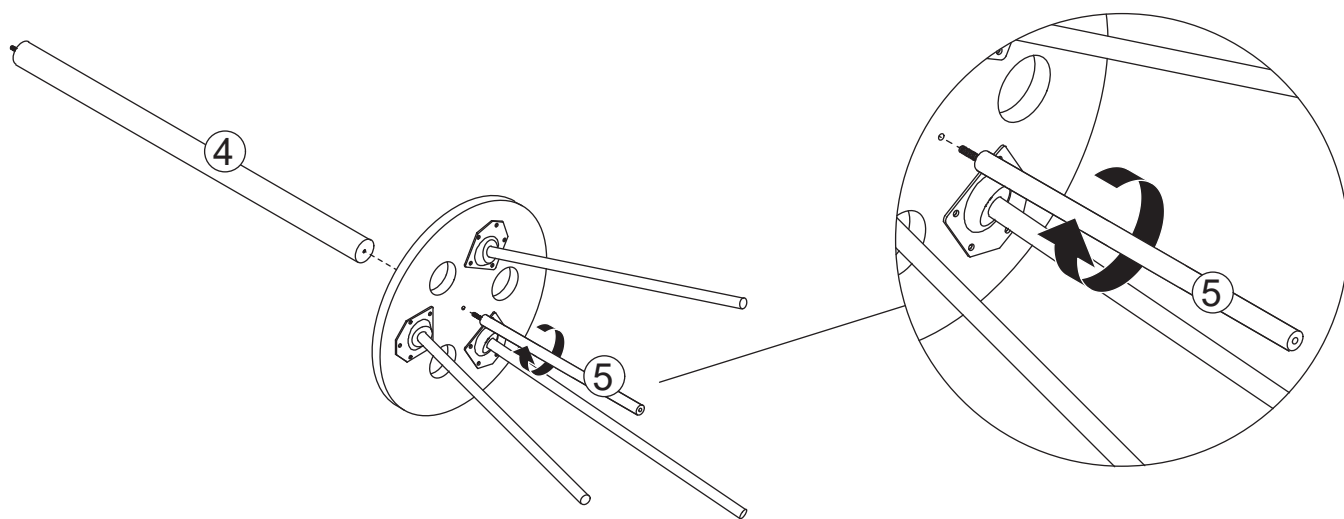
To prevent scratching:
Lay the parts face down on a clean, flat, soft surface.



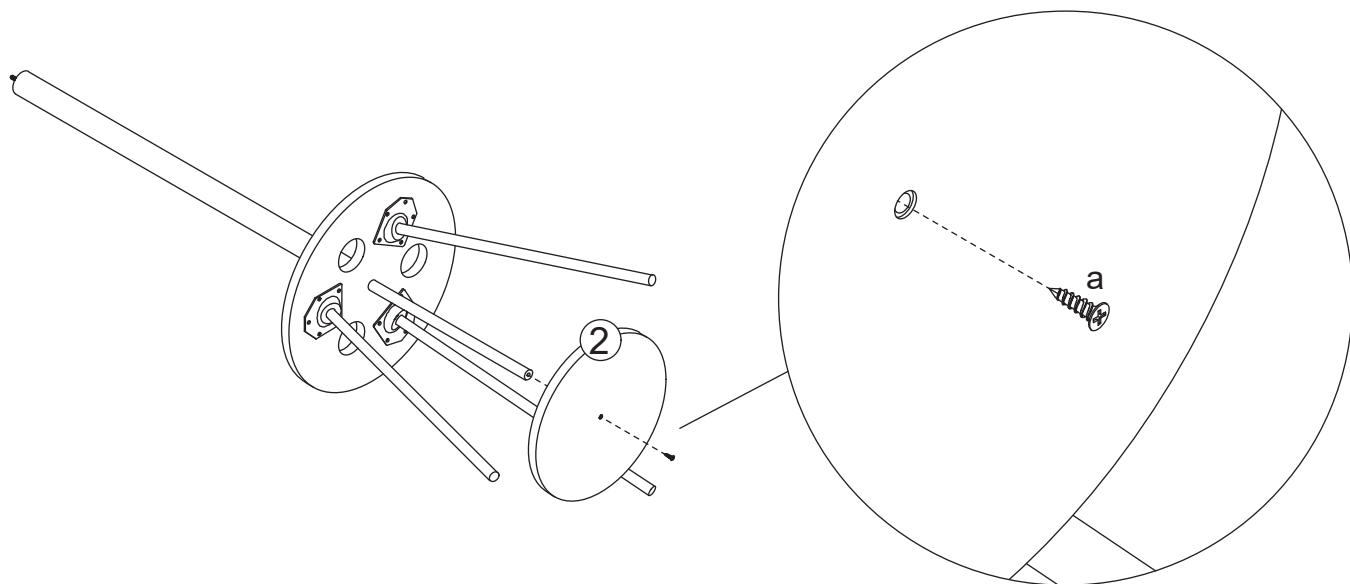
1.



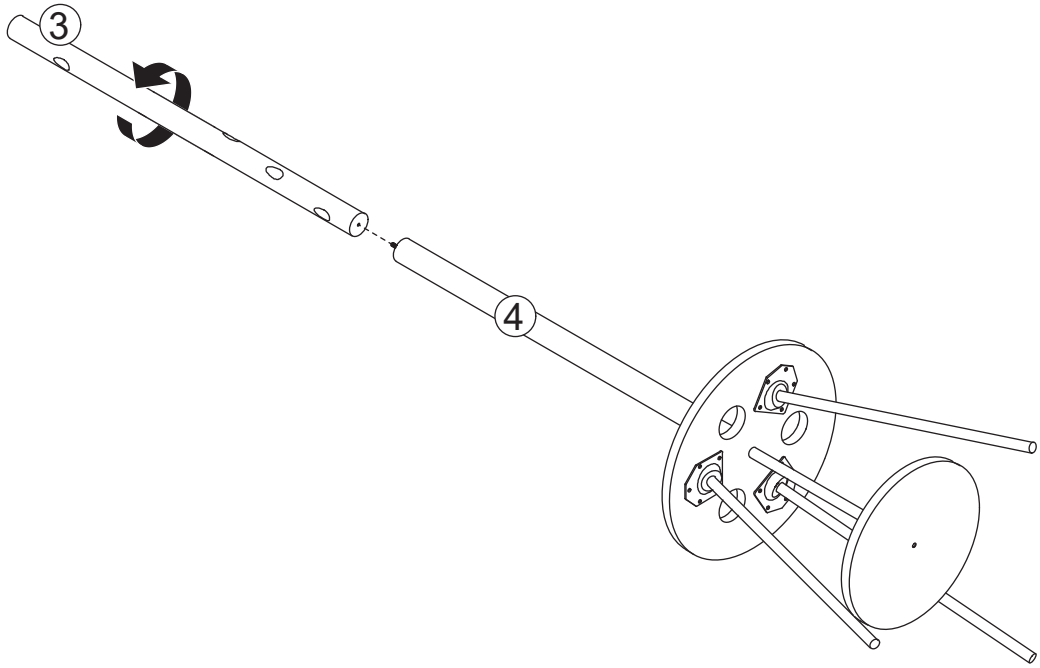
2.



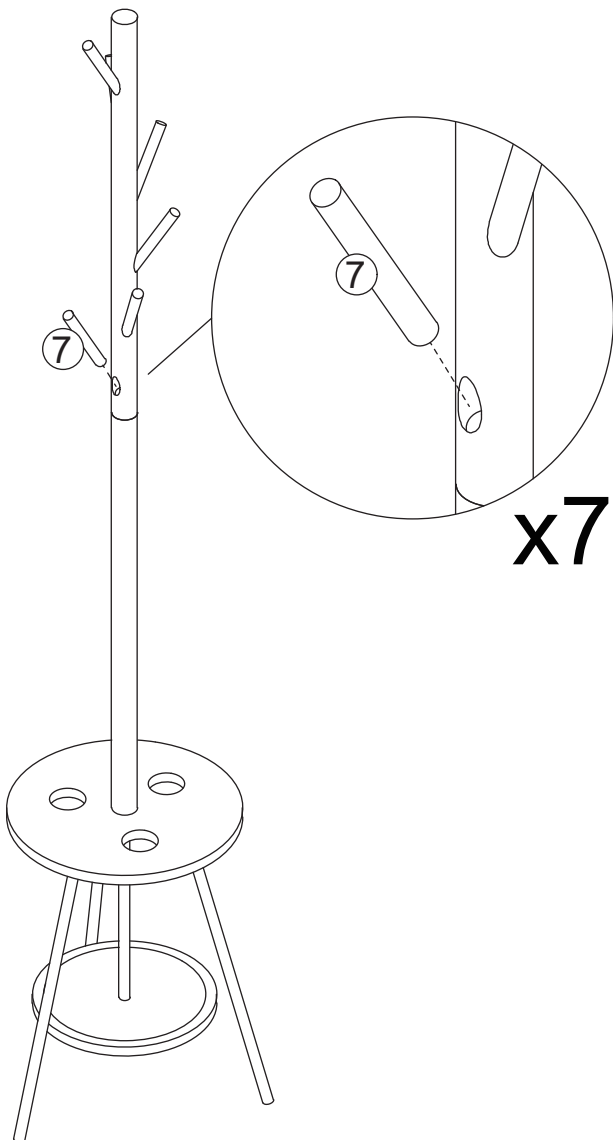
3.



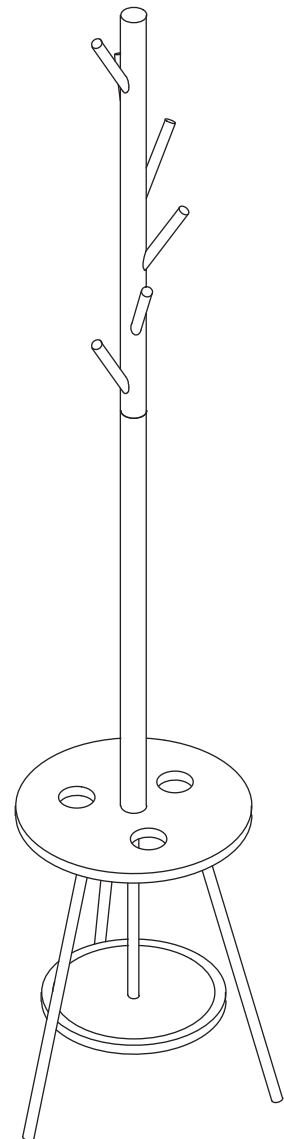
4.



5.



6.



7.