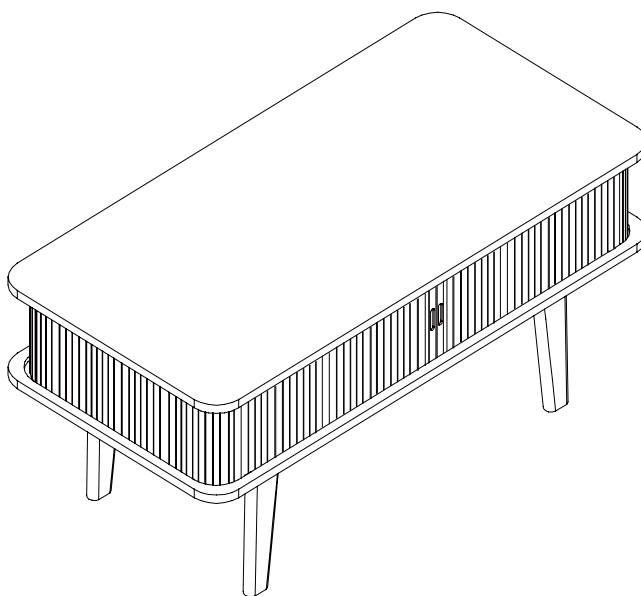
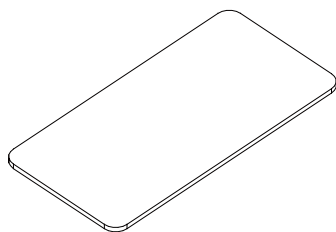


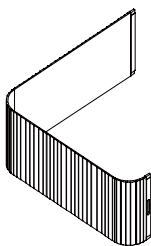
Rapha Coffee Table



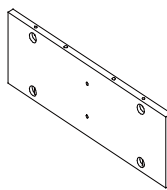
Parts Checklist



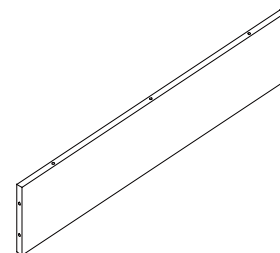
① x1



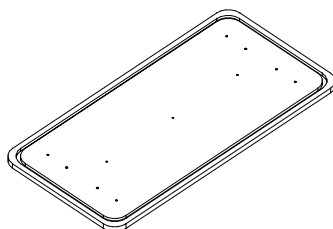
② x2



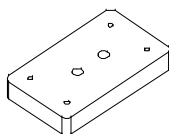
③ x1



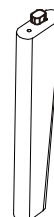
④ x1



⑤ x1

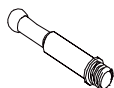


⑥ x4



⑦ x4

Fittings Checklist



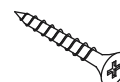
Ⓐ Cam Screw x15



Ⓑ Cam Lock x15



Ⓒ Wooden Dowel x12



Ⓓ Screw x3



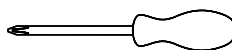
Ⓔ Allen Key x1



Ⓕ Screw x8



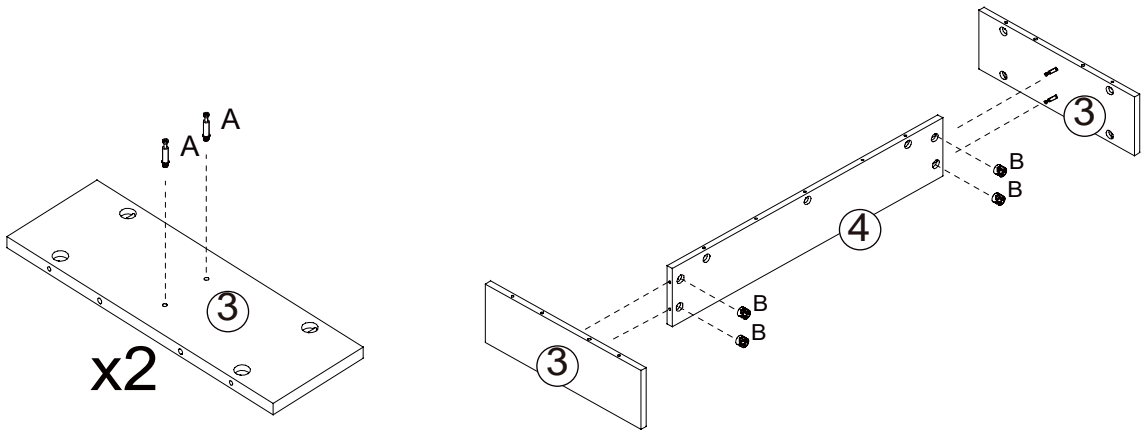
Ⓖ Screw x16



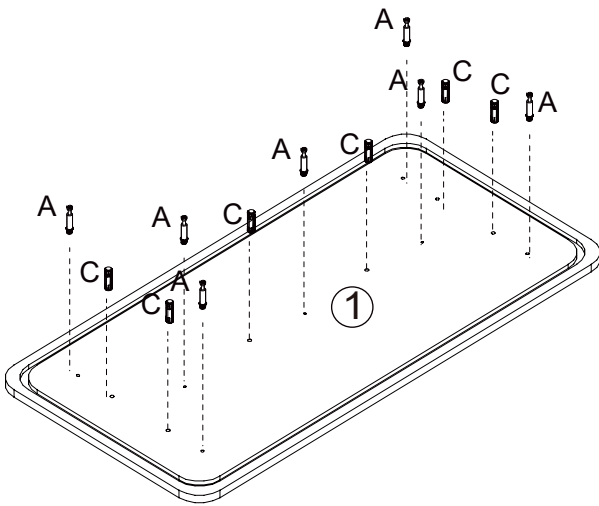
Cross head Screwdriver also required for assembly

01

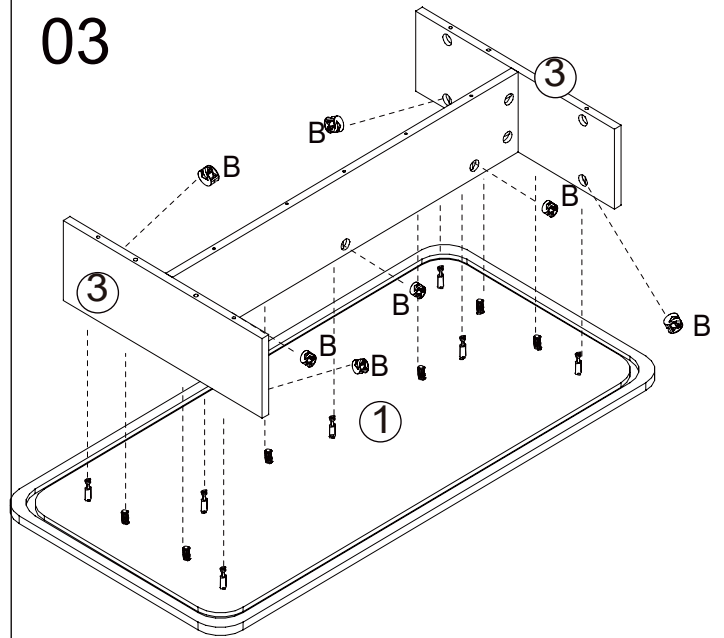
To prevent scratching: Lay the parts face down on a clean, flat, soft surface.



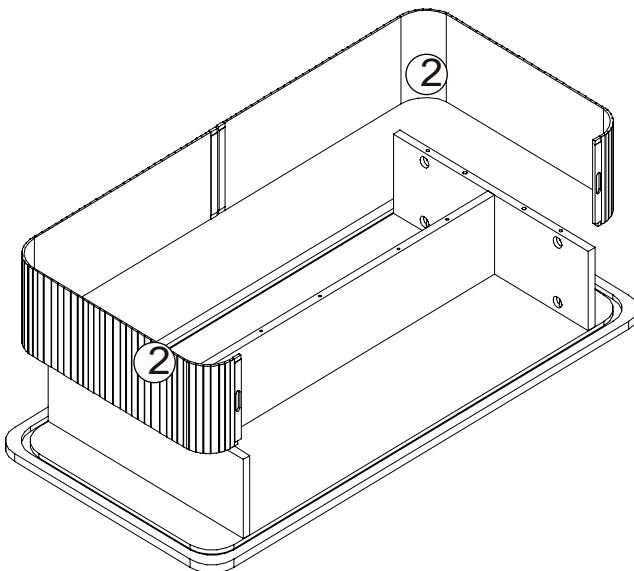
02



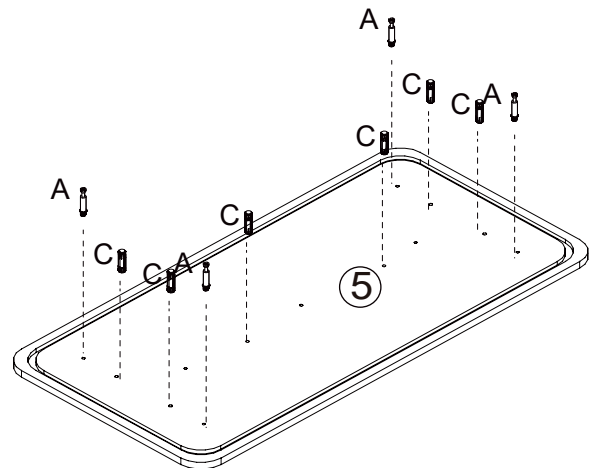
03



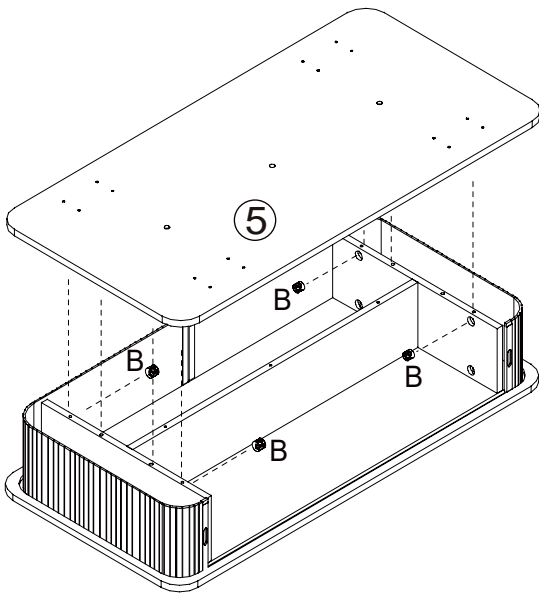
04



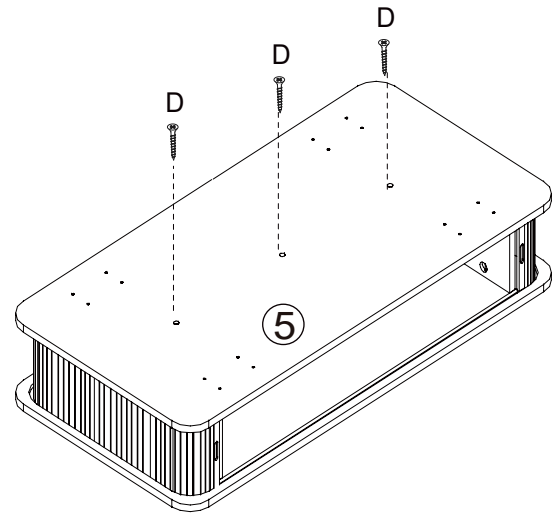
05



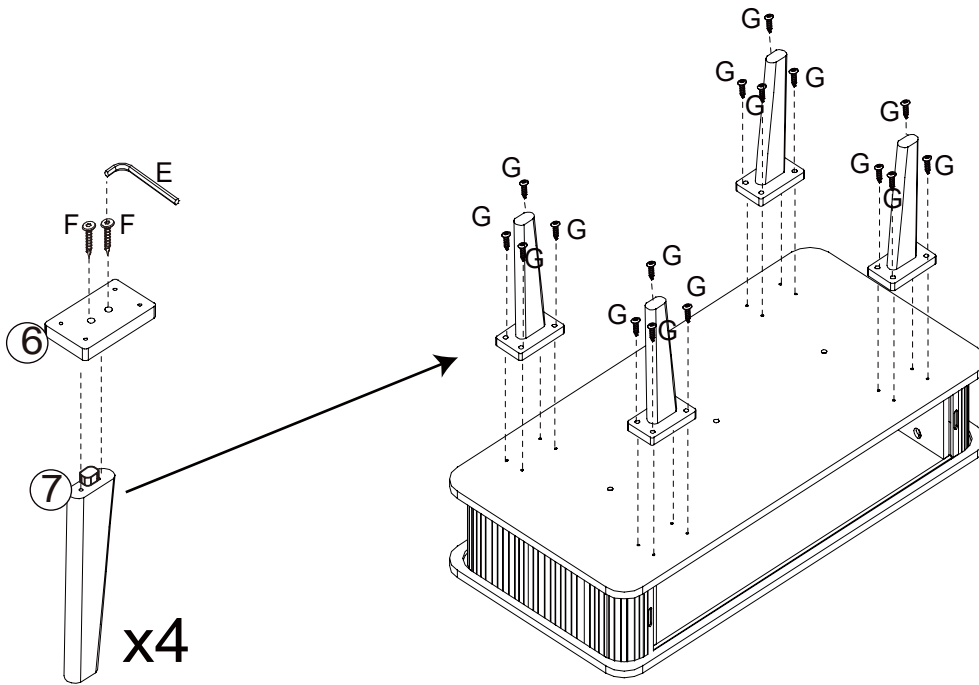
06



07



08



09

