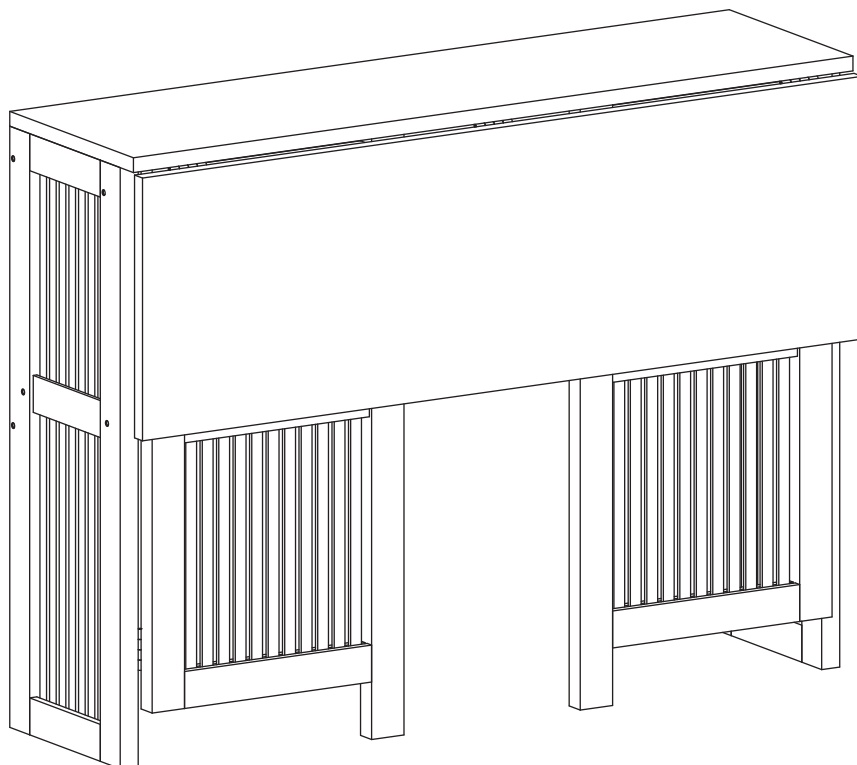
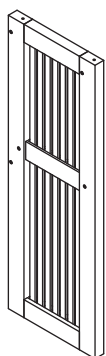


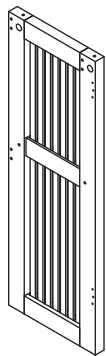
Bamboo Suratto Folding Console Desk



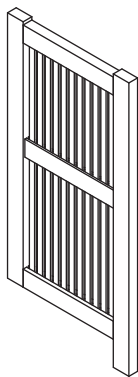
Parts Checklist



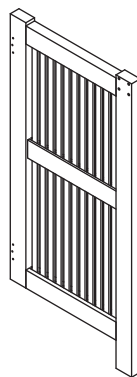
① x1



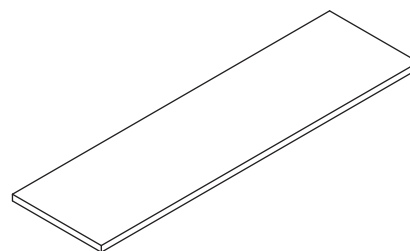
② x1



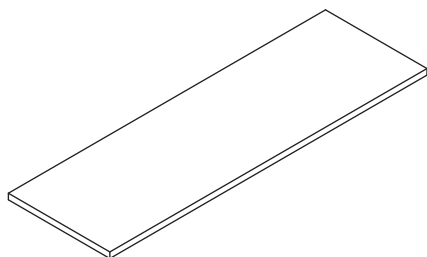
③ x1



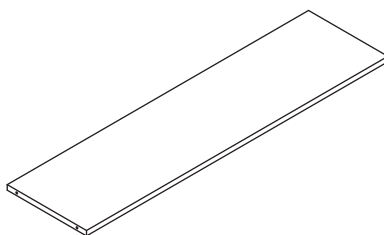
④ x1



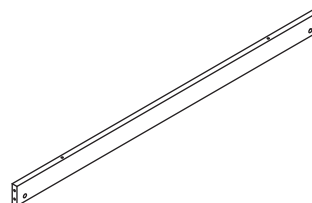
⑤ x1



⑥ x1

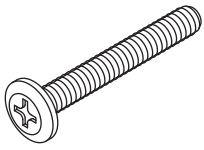


⑦ x1



⑧ x3

Fittings Checklist

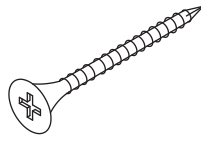


6x60mm

(a) Screw x10

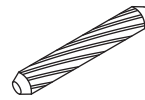


(b) Nut x10

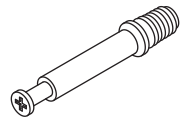


4x40mm

(c) Screw x6



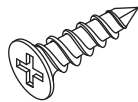
(d) Wooden Dowelx6



(e) Pin x4

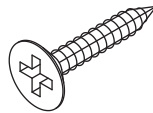


(f) Cam Lock x4



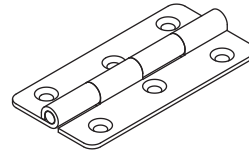
4x18mm

(g) Screw x42

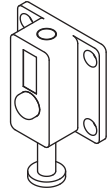


3x16mm

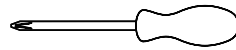
(h) Screw x8



(i) Hinge x7

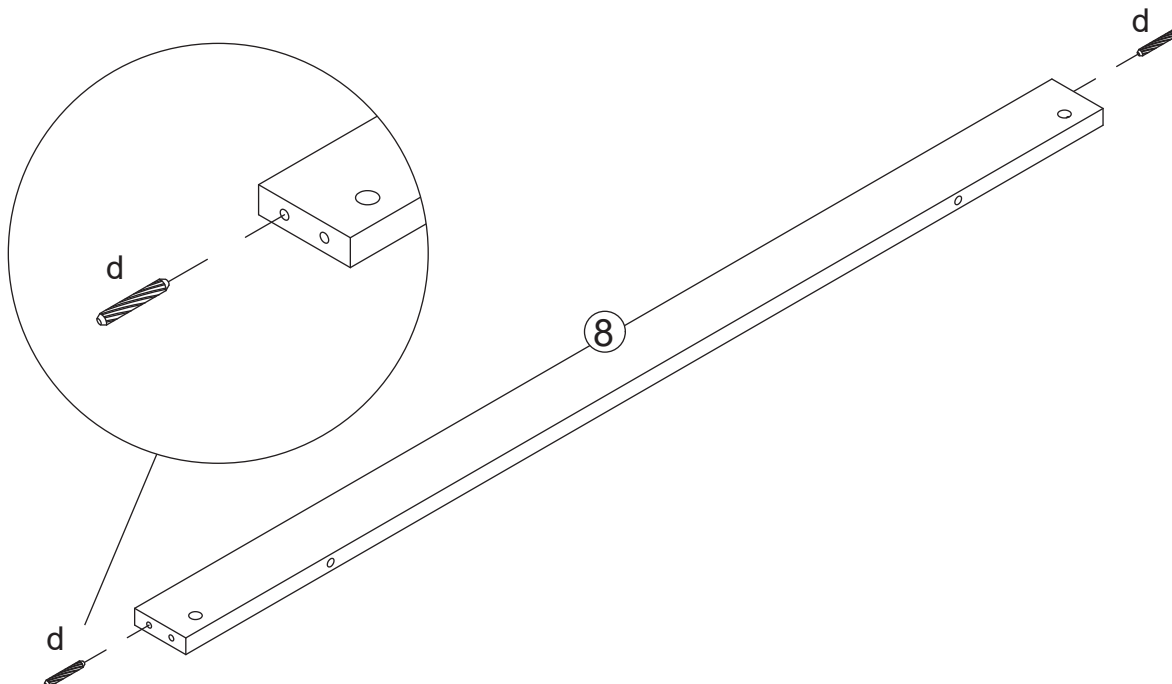


(j) Lock x2



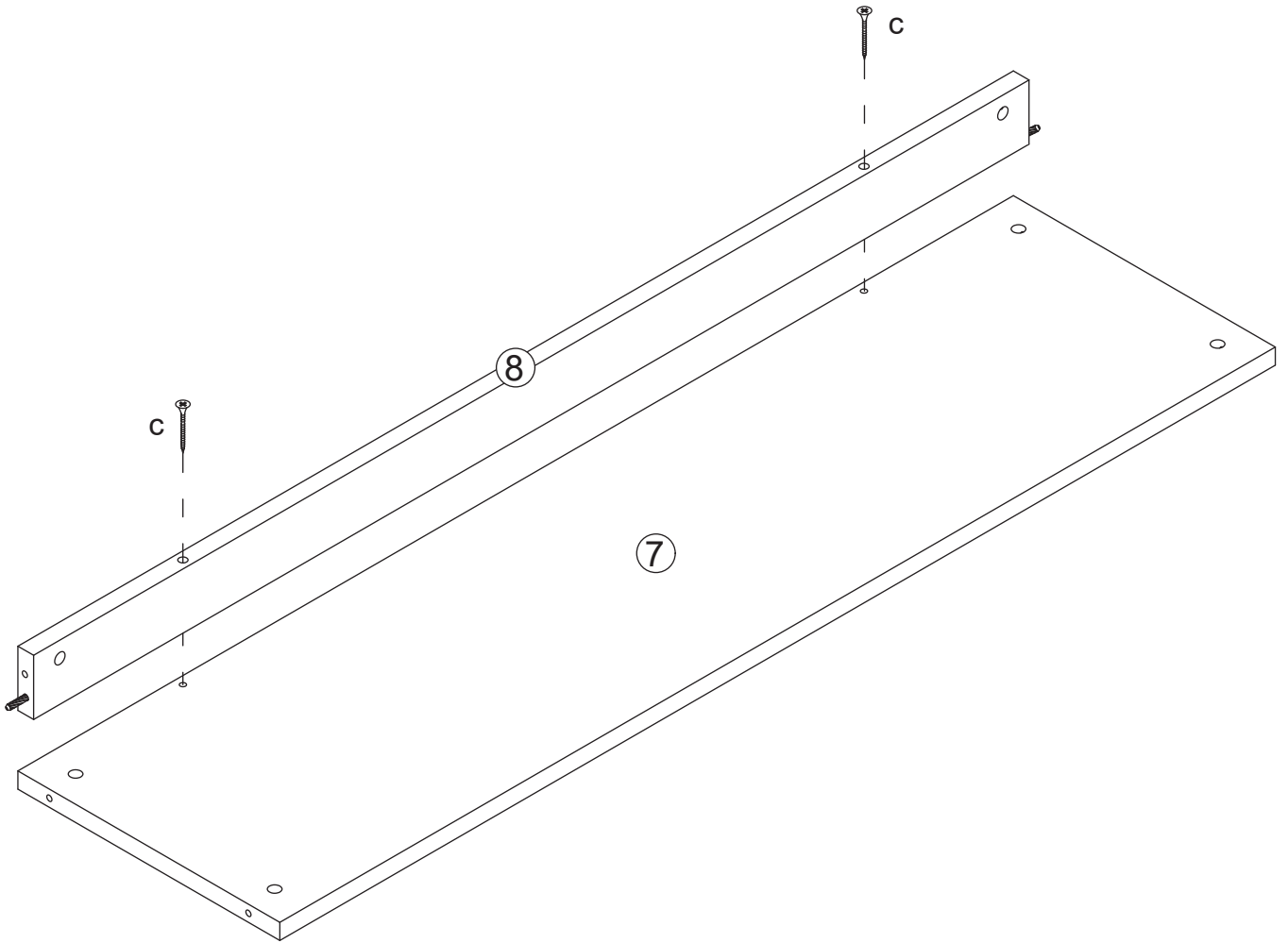
Cross head Screwdriver also required for assembly

1. To prevent scratching:
Lay the parts face down on a clean, flat, soft surface.

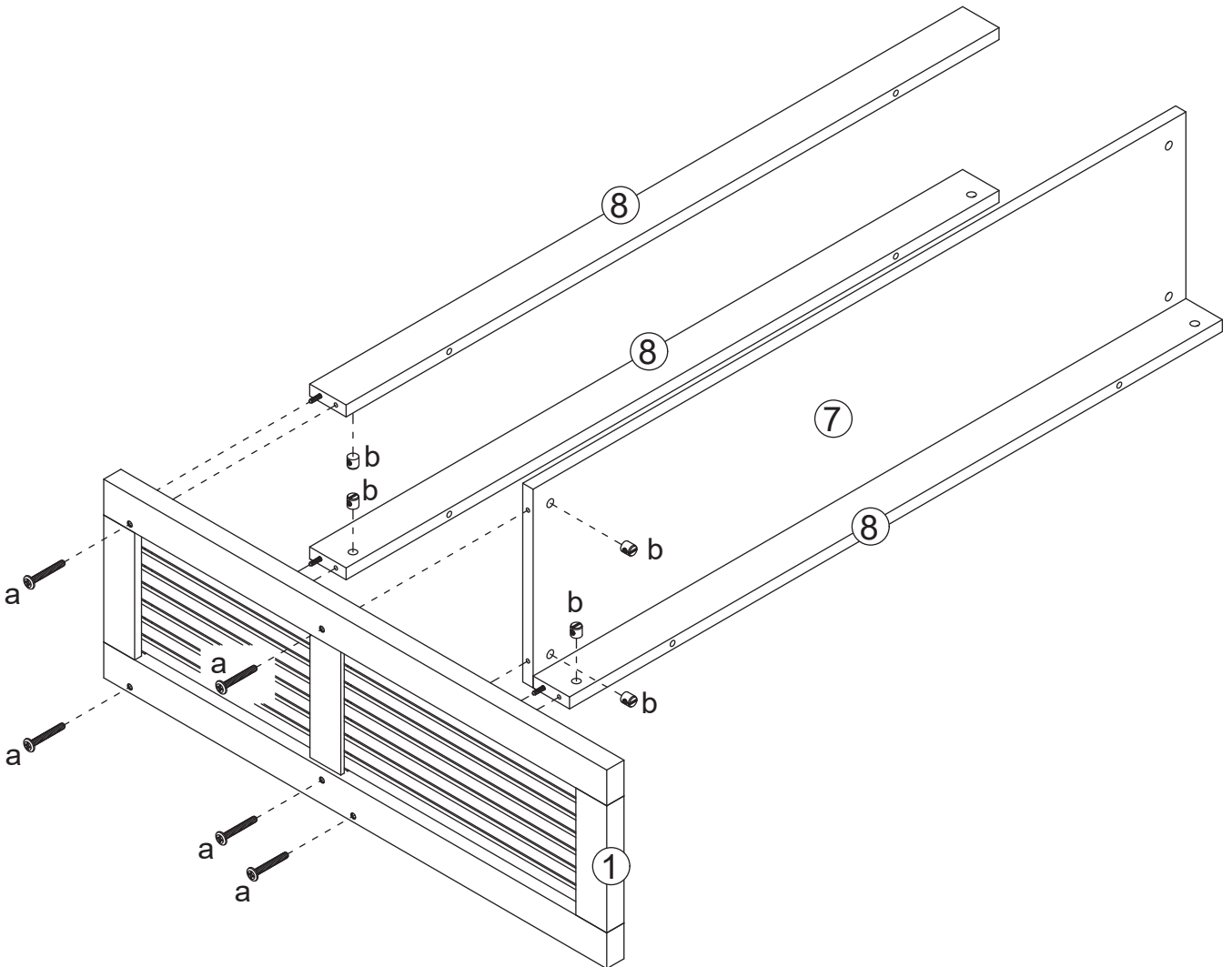


x3

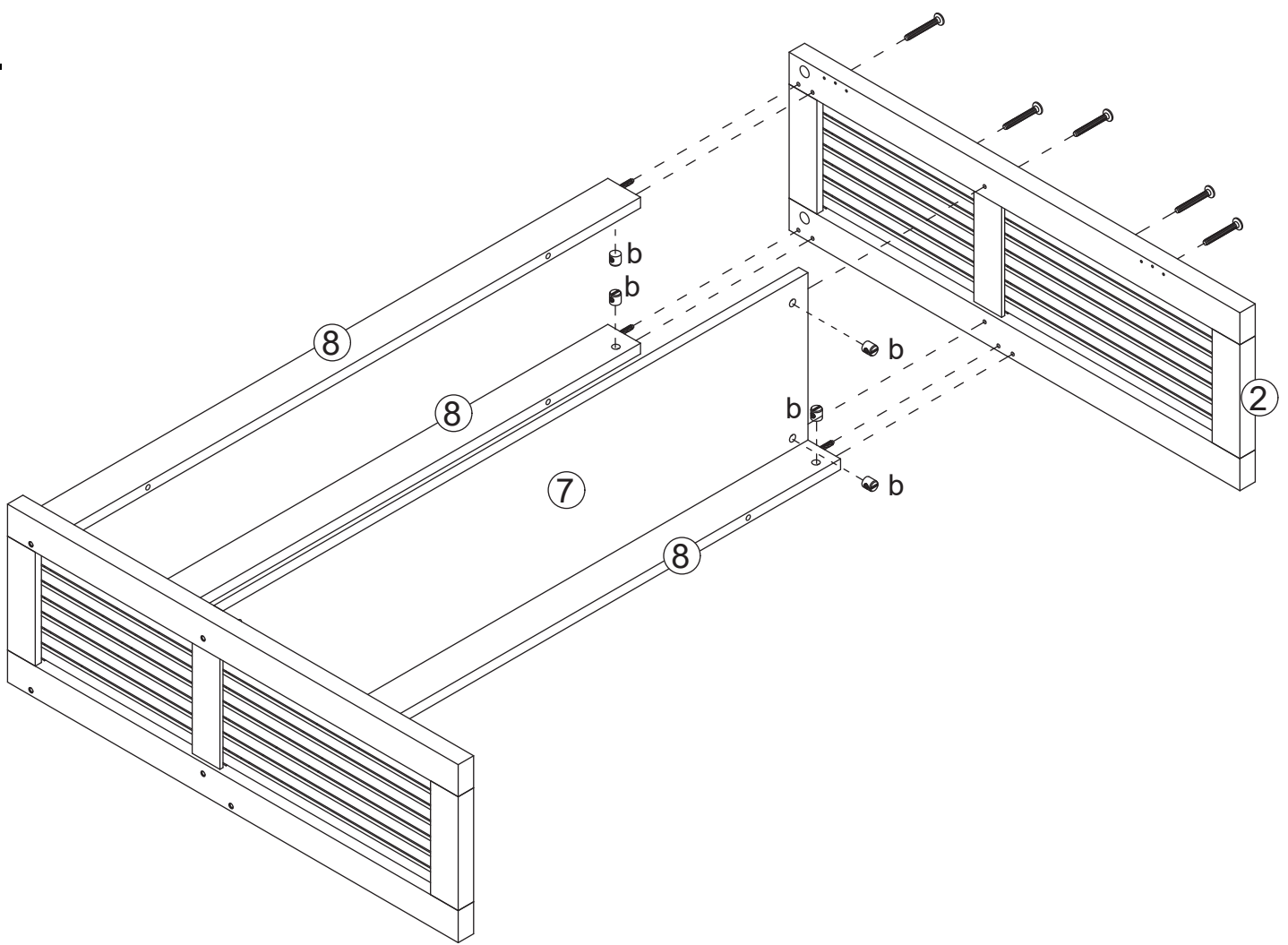
2.



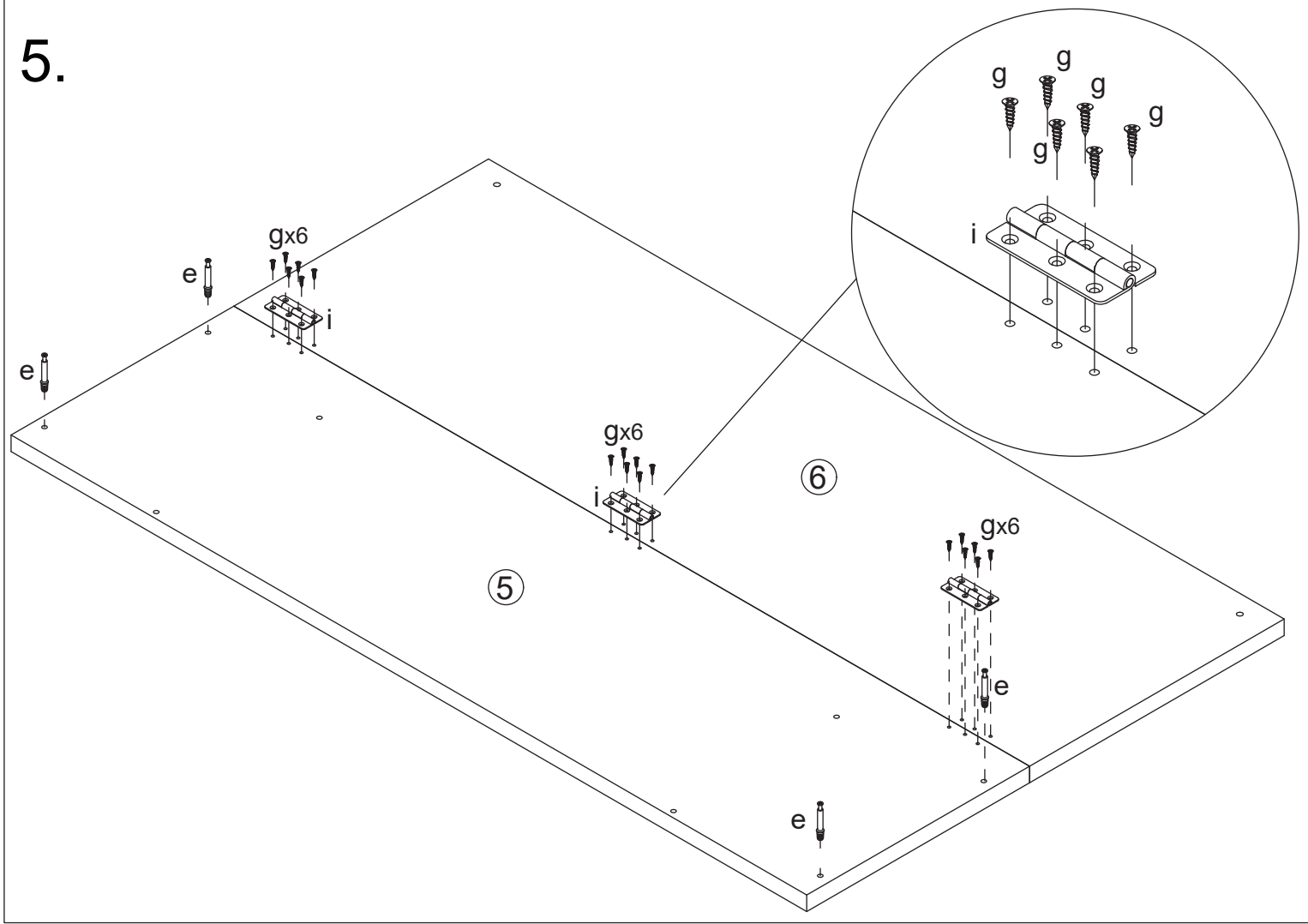
3.



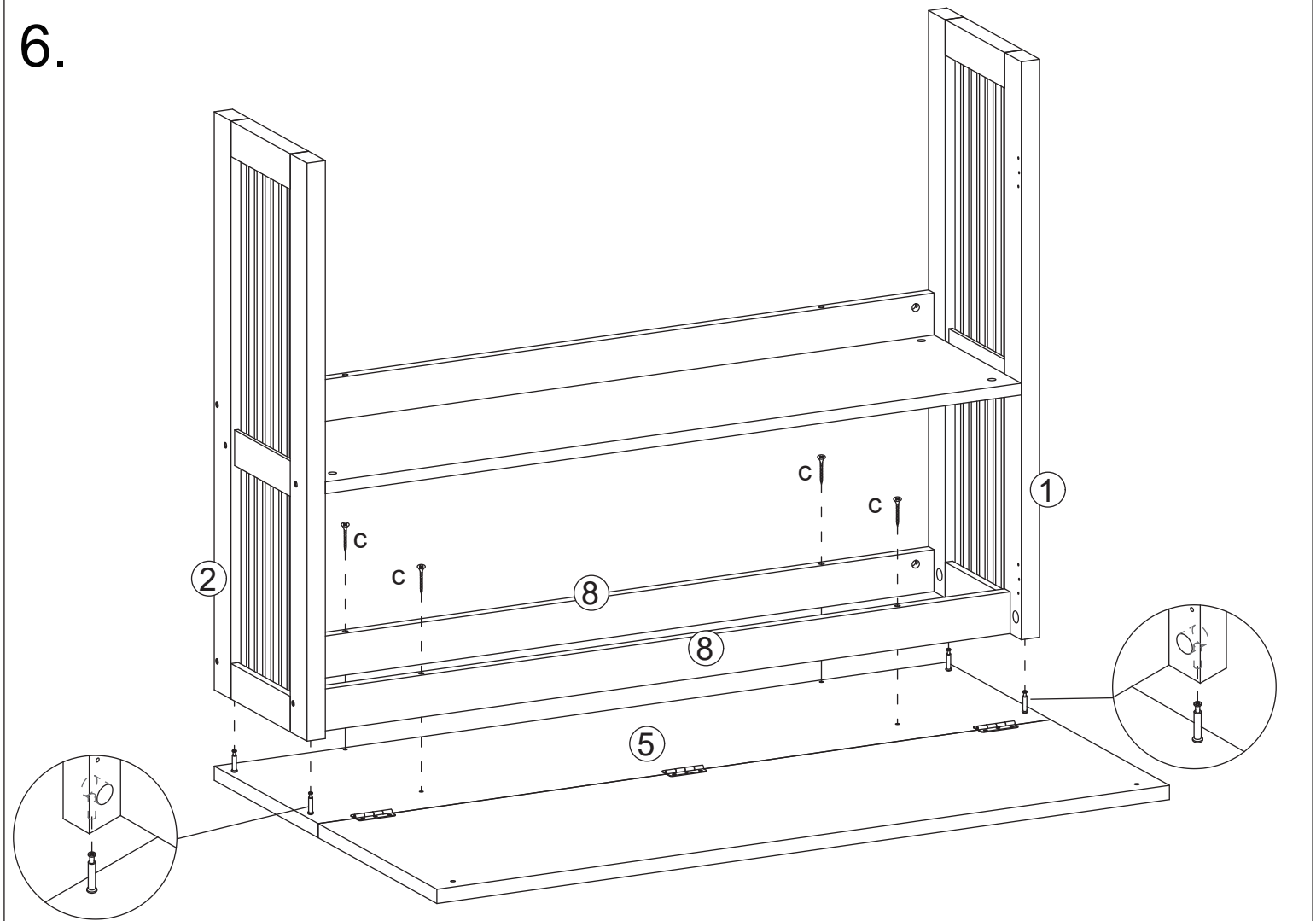
4.



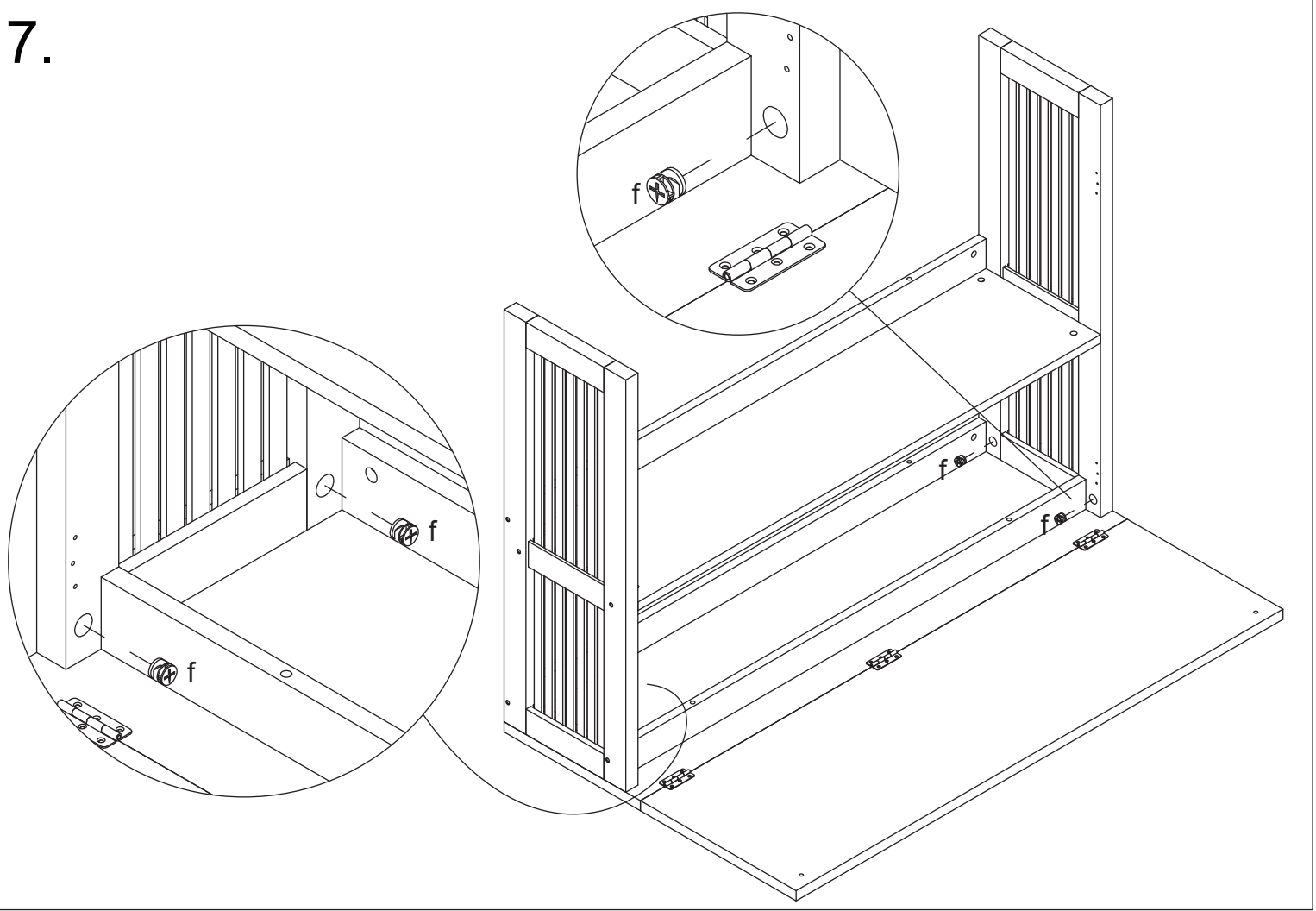
5.



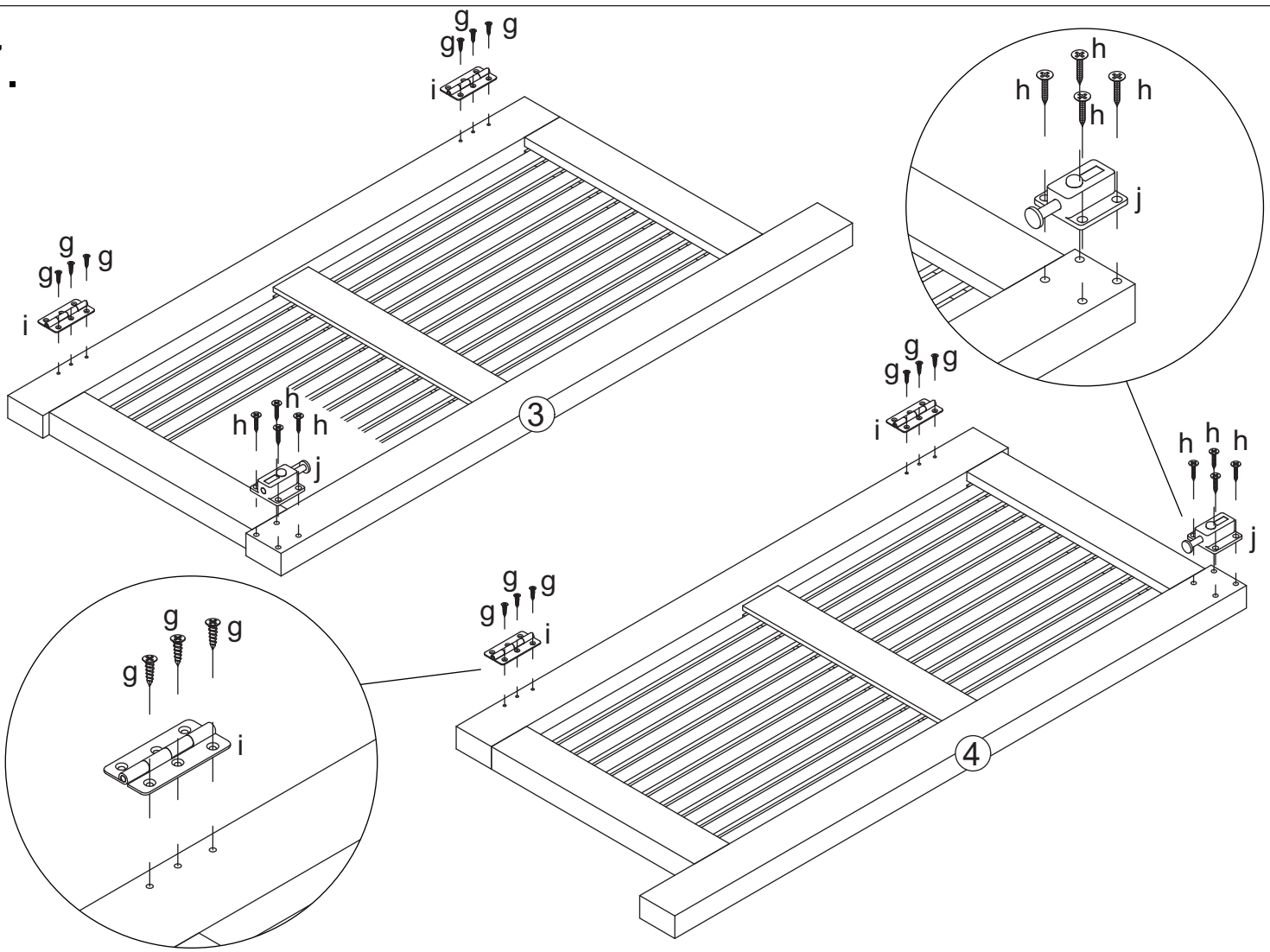
6.



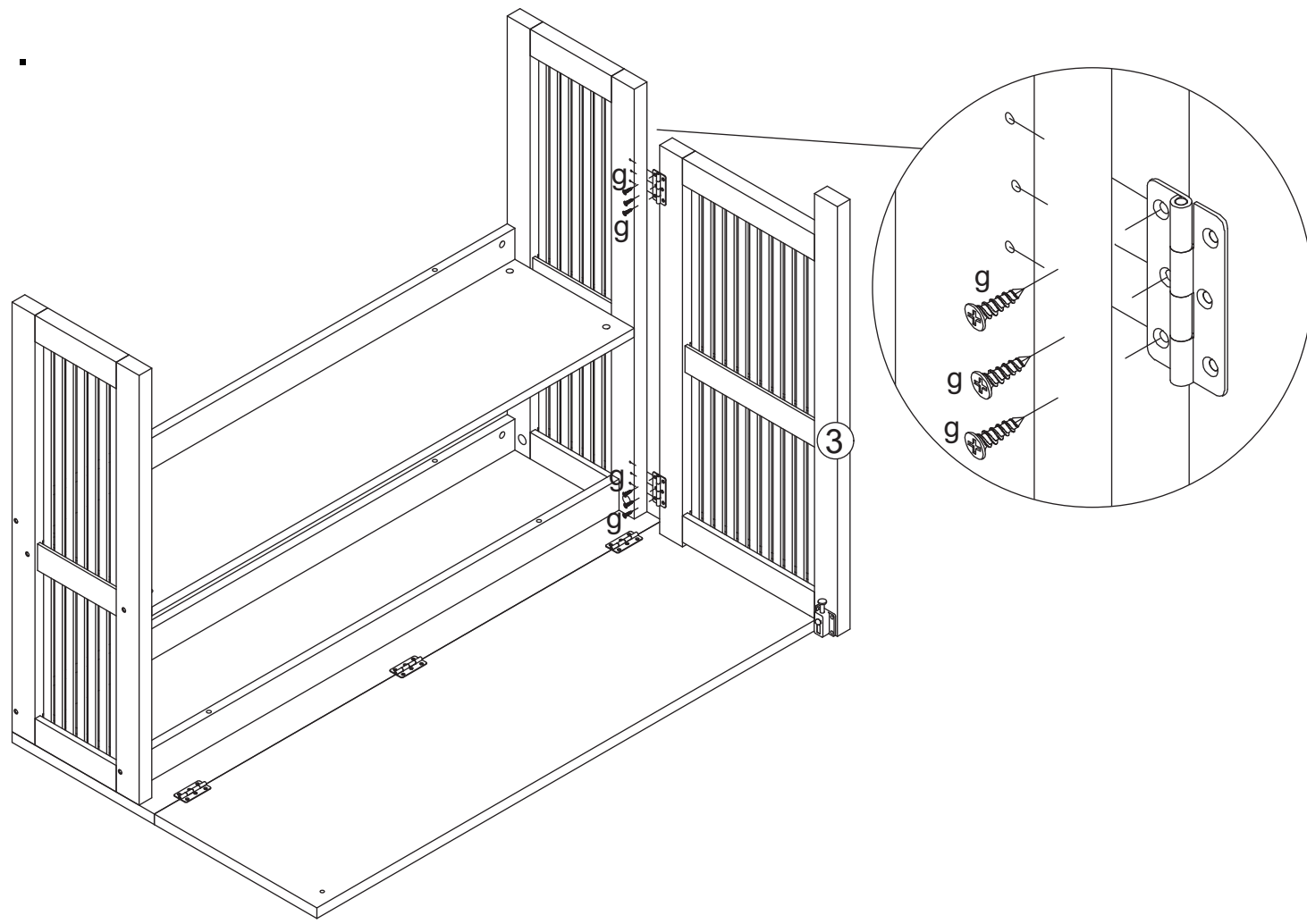
7.



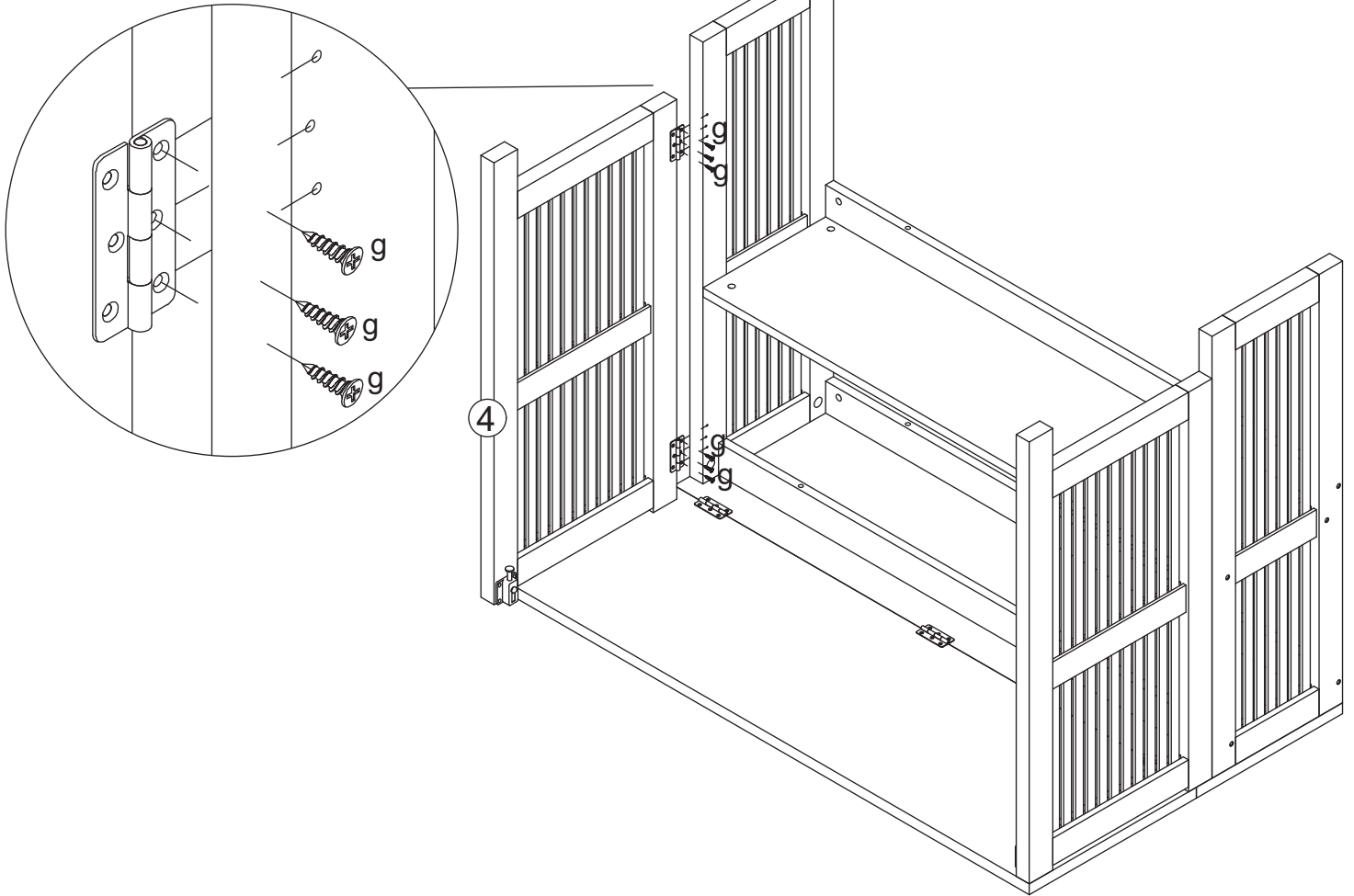
7.



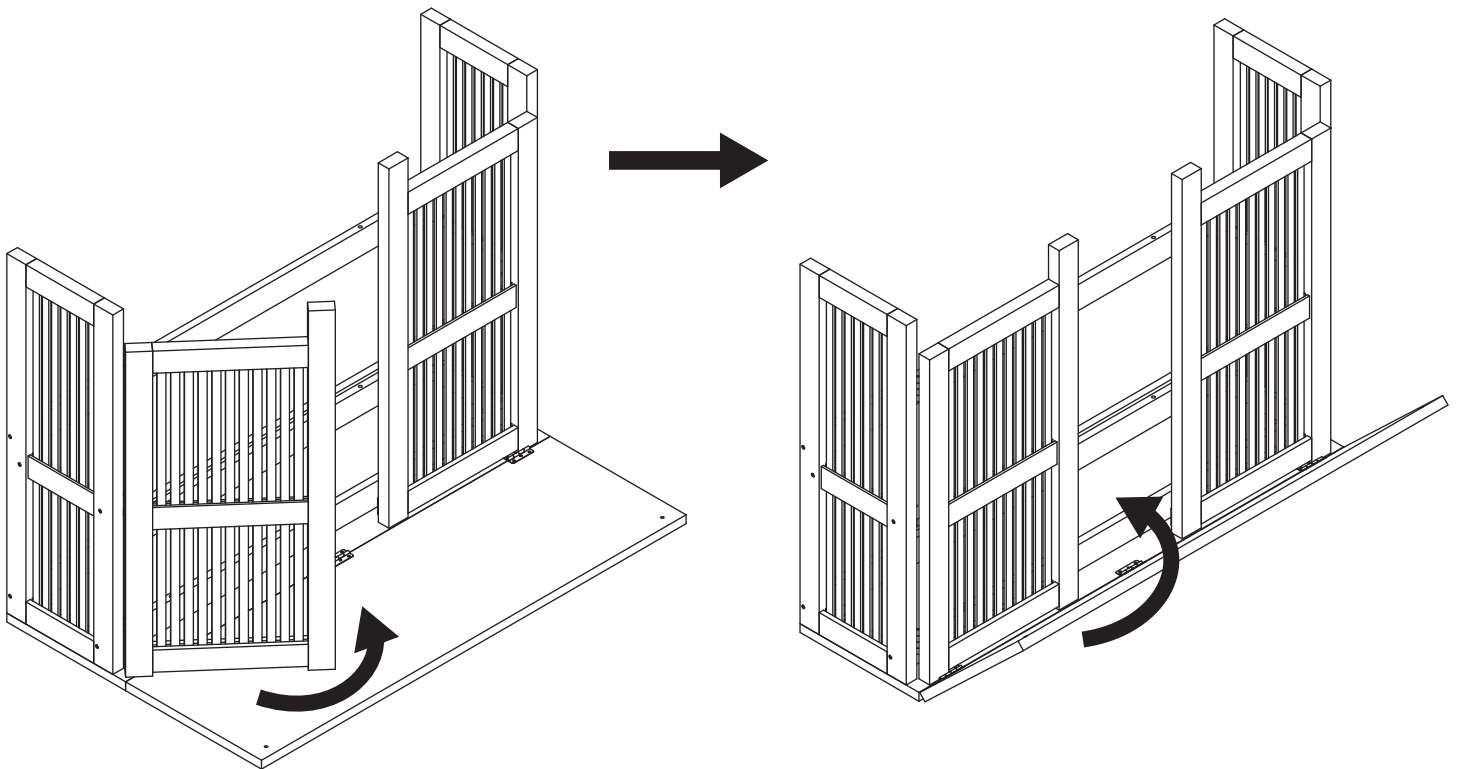
8.



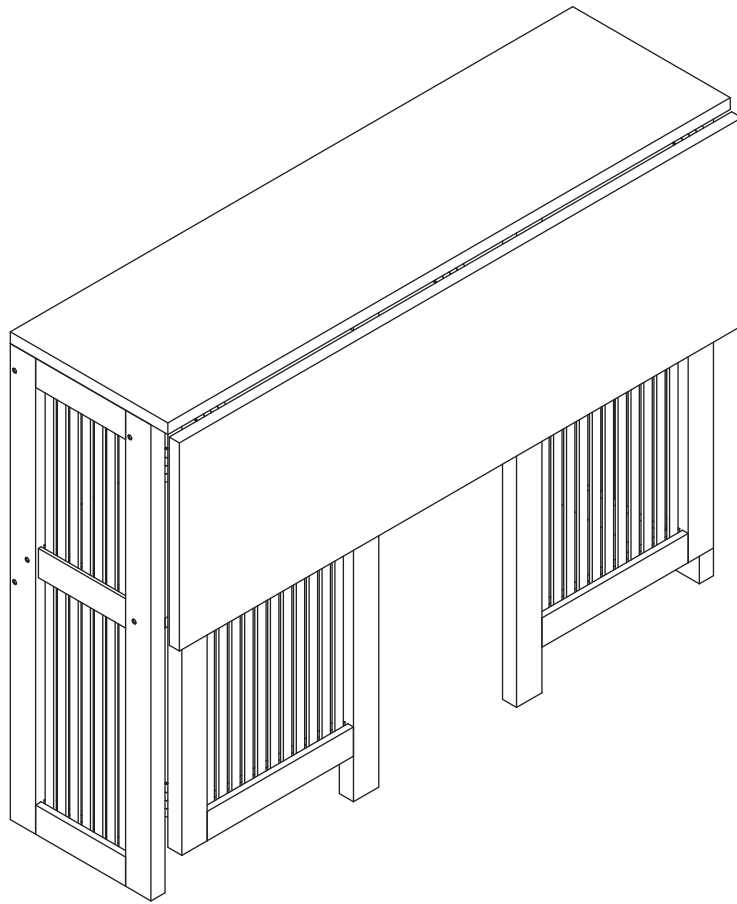
9.



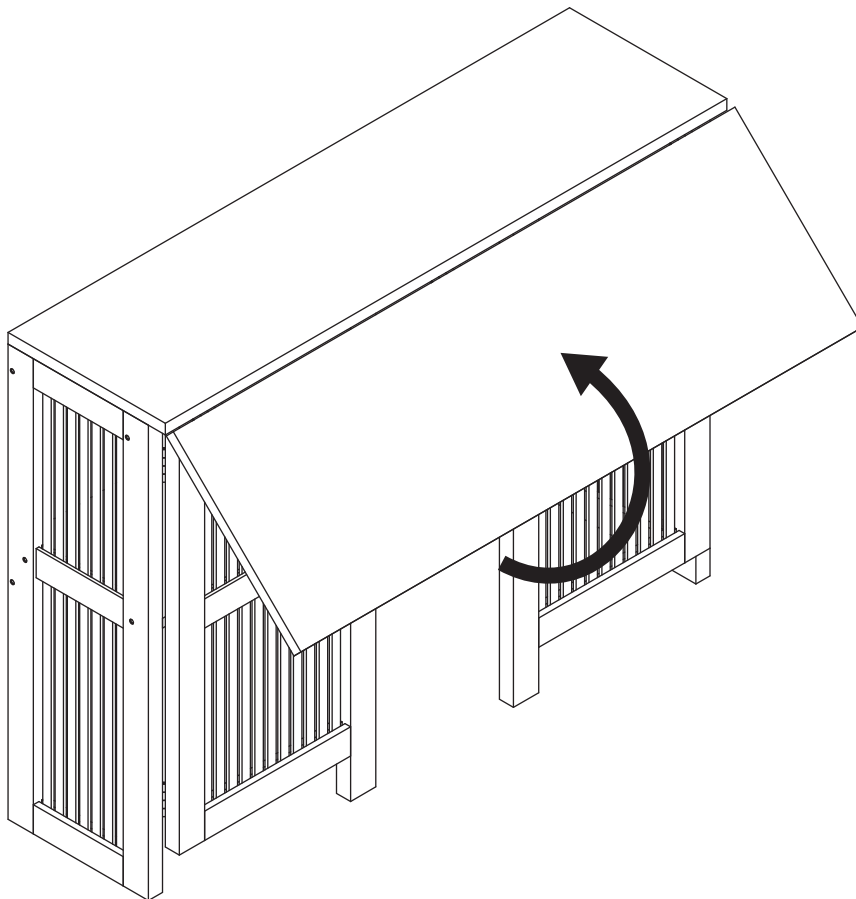
10.



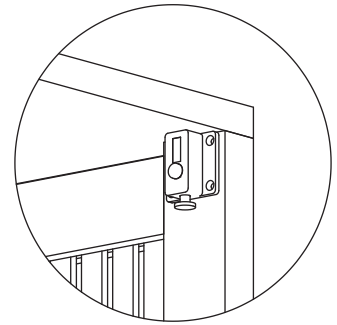
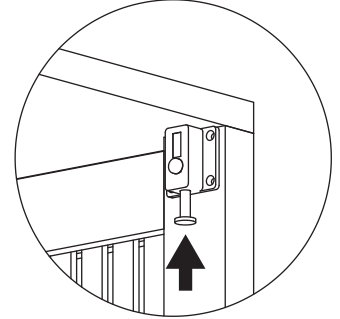
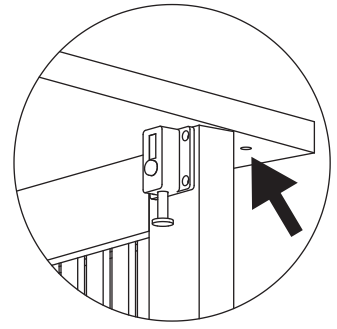
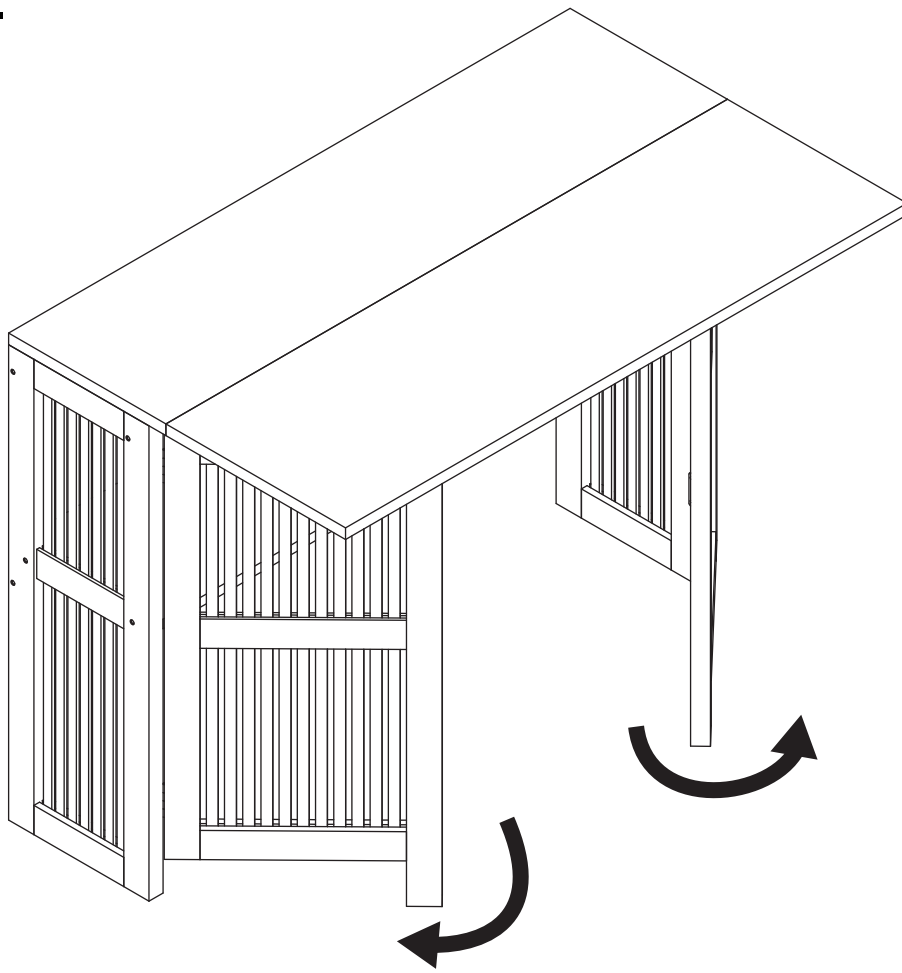
11.



12.



13.



14.

