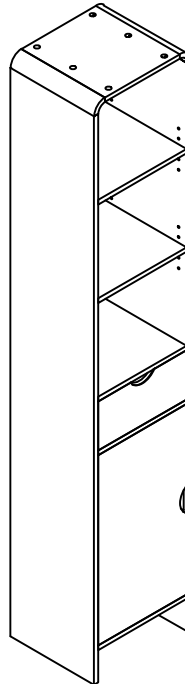



Assembly Instructions



Abbey Tall Cabinet

ROPO no:



 PLEASE READ THESE INSTRUCTIONS VERY CAREFULLY BEFORE YOU BEGIN, TO ENSURE THAT YOUR FUTON COMPANY PRODUCT WILL GIVE YOU MANY YEARS OF SATISFACTION

Thank you for buying a Futon Company product.

We are constantly striving to improve everything we do, but occasionally mistakes do occur. In the unlikely event that you find any part missing, please call your nearest Futon Company store and we will arrange for the despatch of an immediate replacement. Please keep all packaging until you have checked every part and assembly of your Futon Company product is complete.

Version number: 1 Product code: ST ABBEY TALL OAK Date: 20/12/25

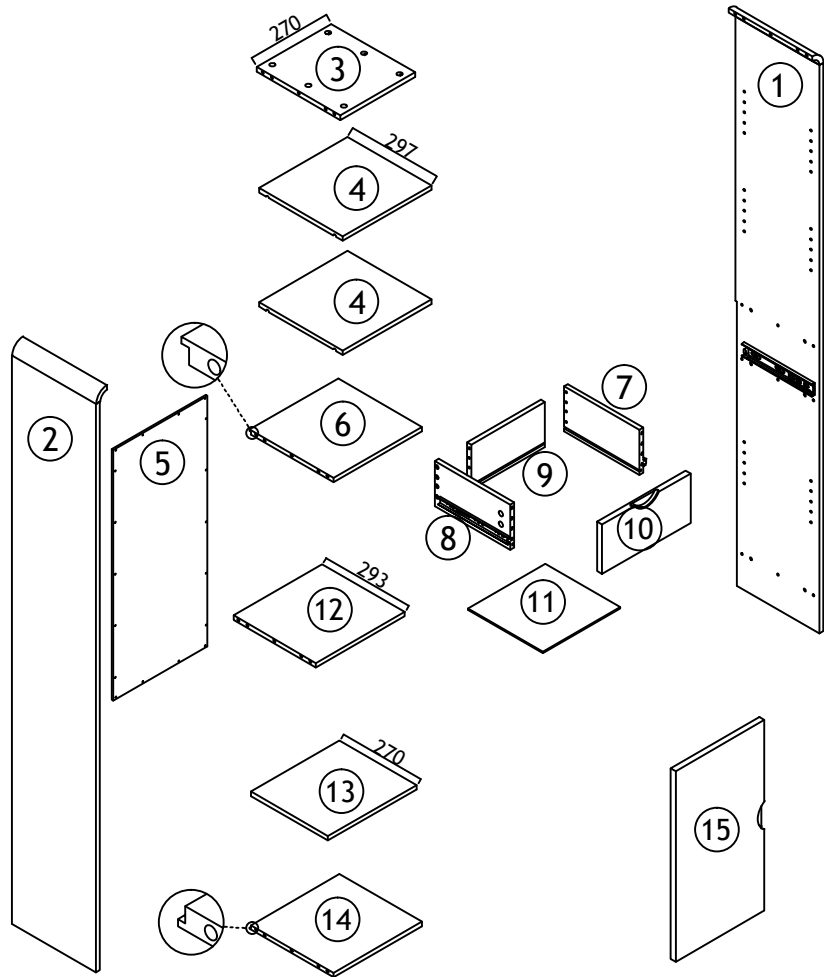
experts in small space living



Parts Checklist

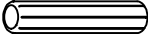
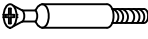







Please count and check every component very carefully before you begin

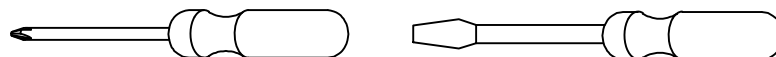
- ① Right Side x 1
- ② Left Side x 1
- ③ Top Panel (270mm) x 1
- ④ Shelf (297mm) x 2
- ⑤ Back Board x 1
- ⑥ Fixed Panel x 1
- ⑦ Drawer Right Side x 1
- ⑧ Drawer Left Side x 1
- ⑨ Drawer Back x 1
- ⑩ Drawer Front x 1
- ⑪ Drawer Base x 1
- ⑫ Fixed Panel (293mm) x 1
- ⑬ Cabinet Shelf (270mm) x 1
- ⑭ Bottom Panel x 1
- ⑮ Front Door x 1



Fittings Checklist

Please count and check every component very carefully before you begin

-  ① Wooden Dowel x 20
-  ② Cam Bolt x 28
-  ③ Cam x 28
-  ④ Shelf support x 12
-  ⑤ Short Screw(4x35) x 8
-  ⑥ Screw(3x12) x 39
-  ⑦ Hinge x 2
-  ⑧ Wall Leash x 1
-  ⑨ Felt Protector pad x 4

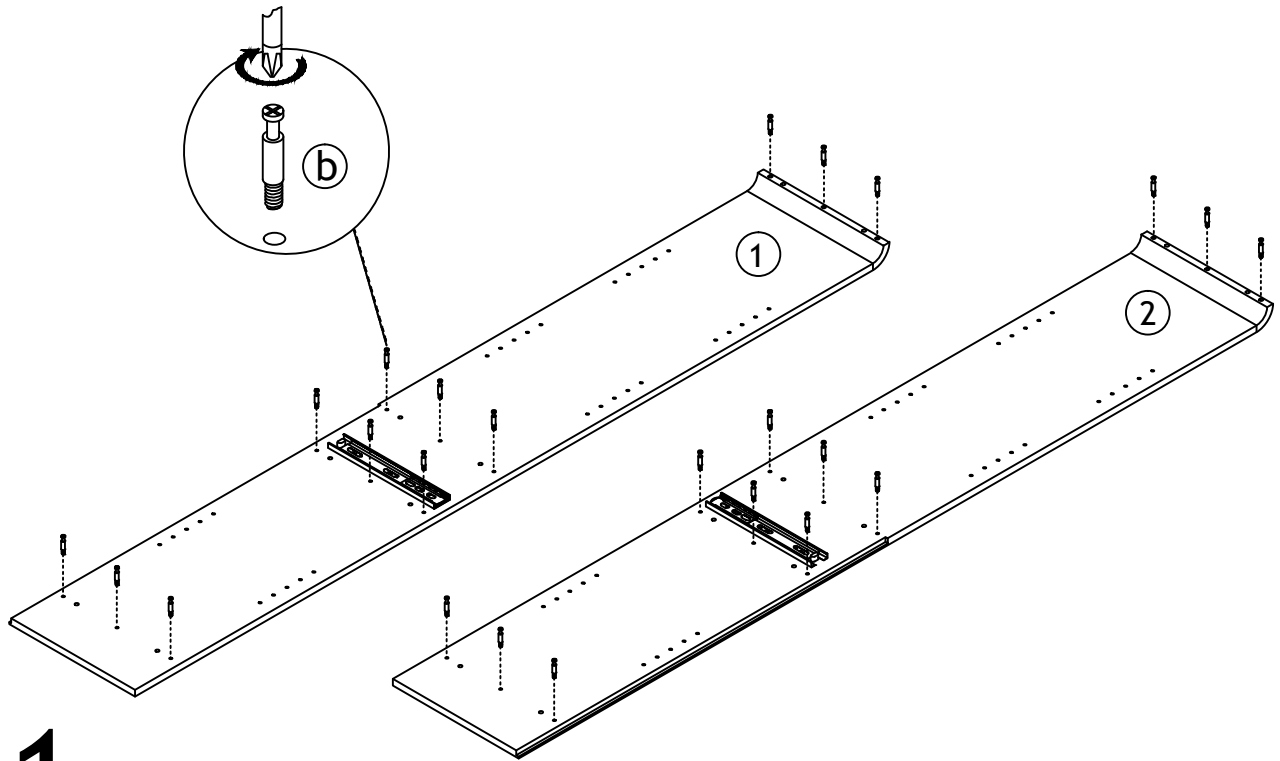


* Cross head and flat head Screwdriver also required for assembly

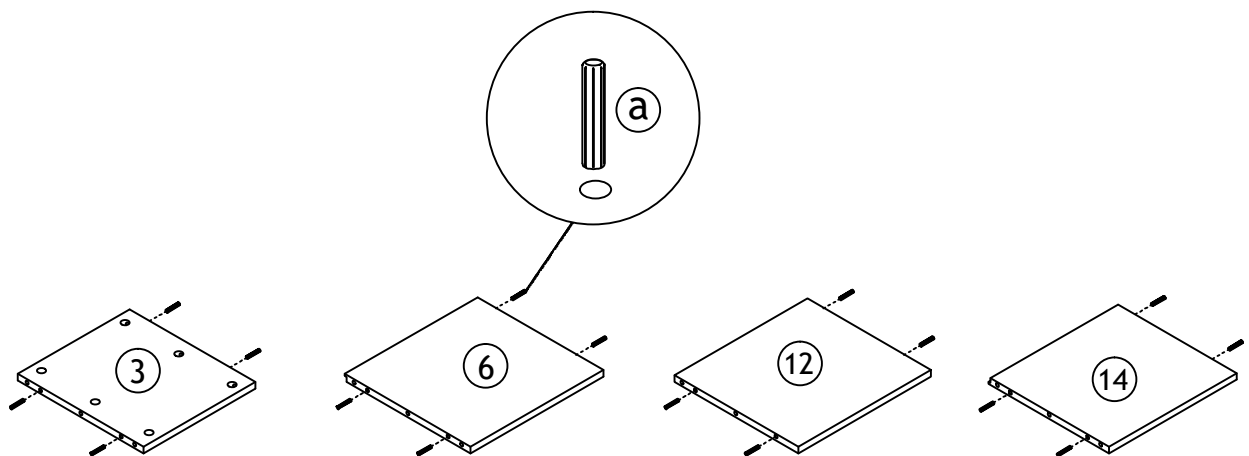


How To Assemble Your Cabinet

Please follow these instructions carefully



1.

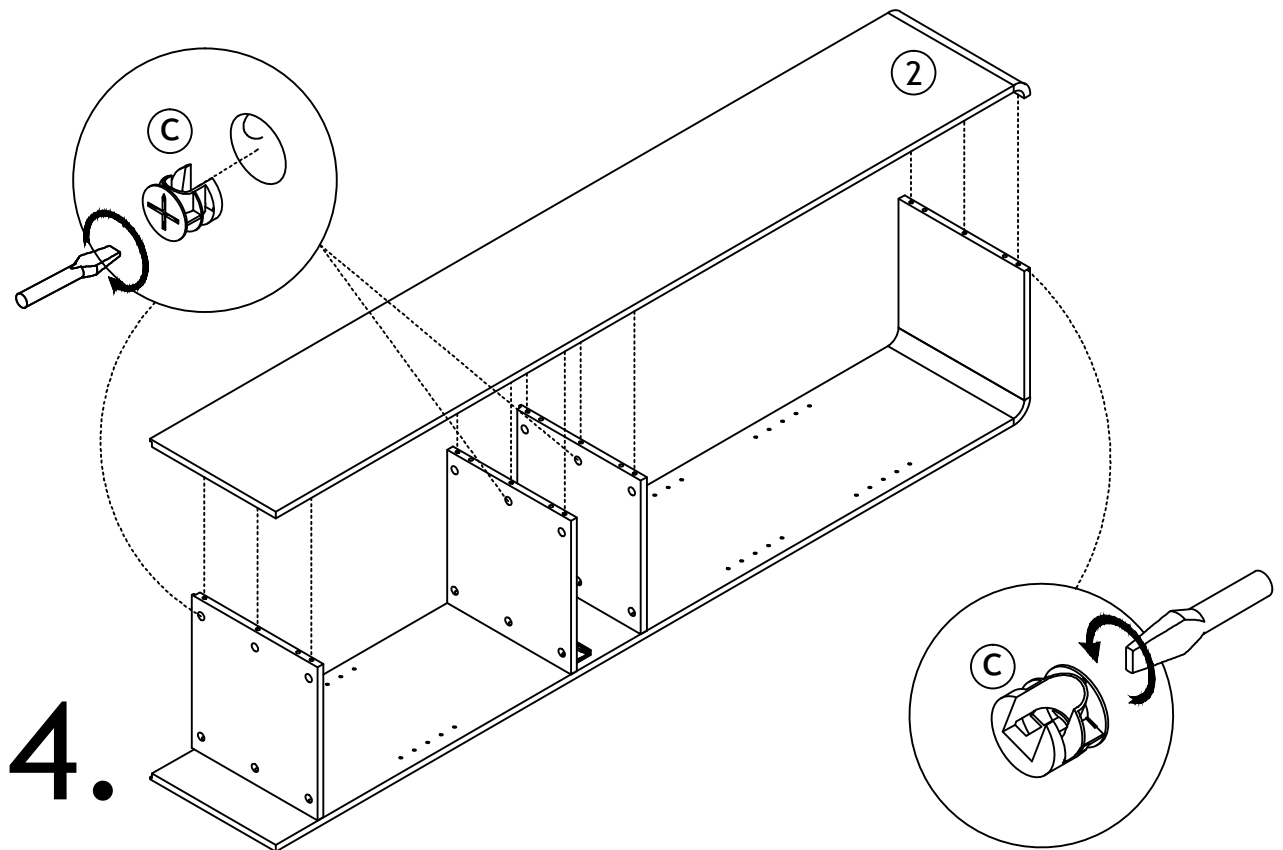
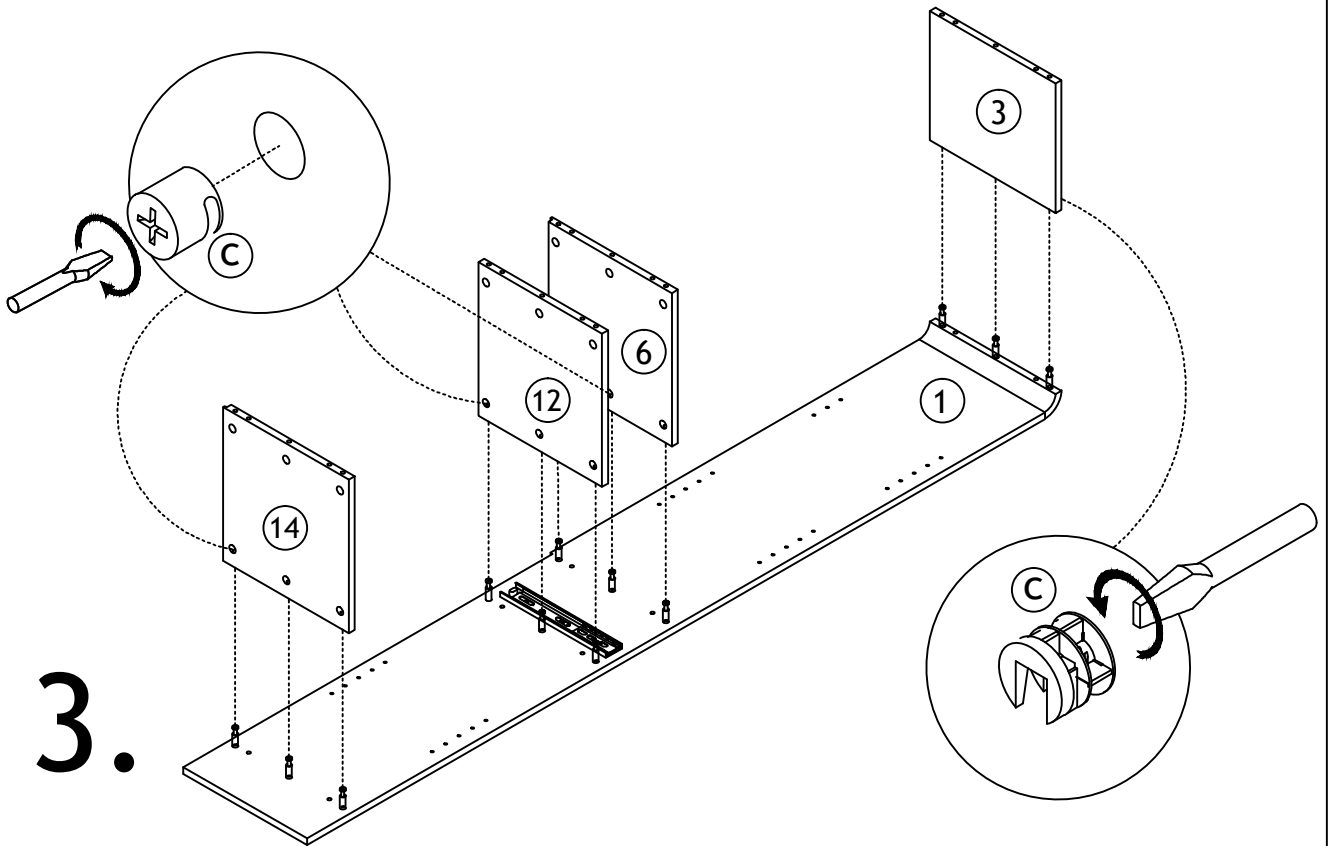


2.



How To Assemble Your Cabinet

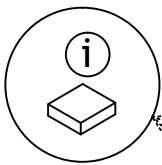
Please follow these instructions carefully



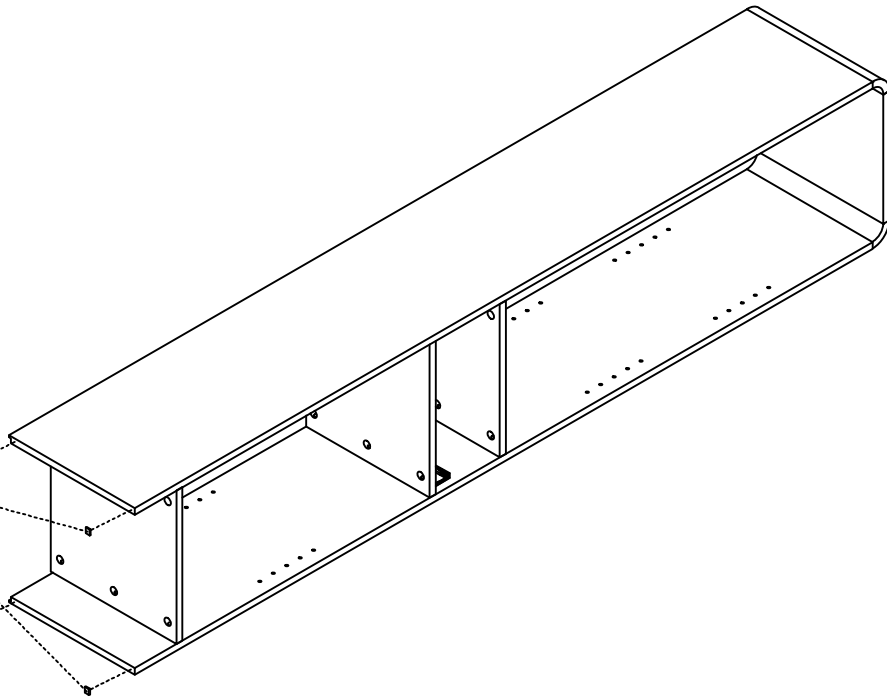


How To Assemble Your Cabinet

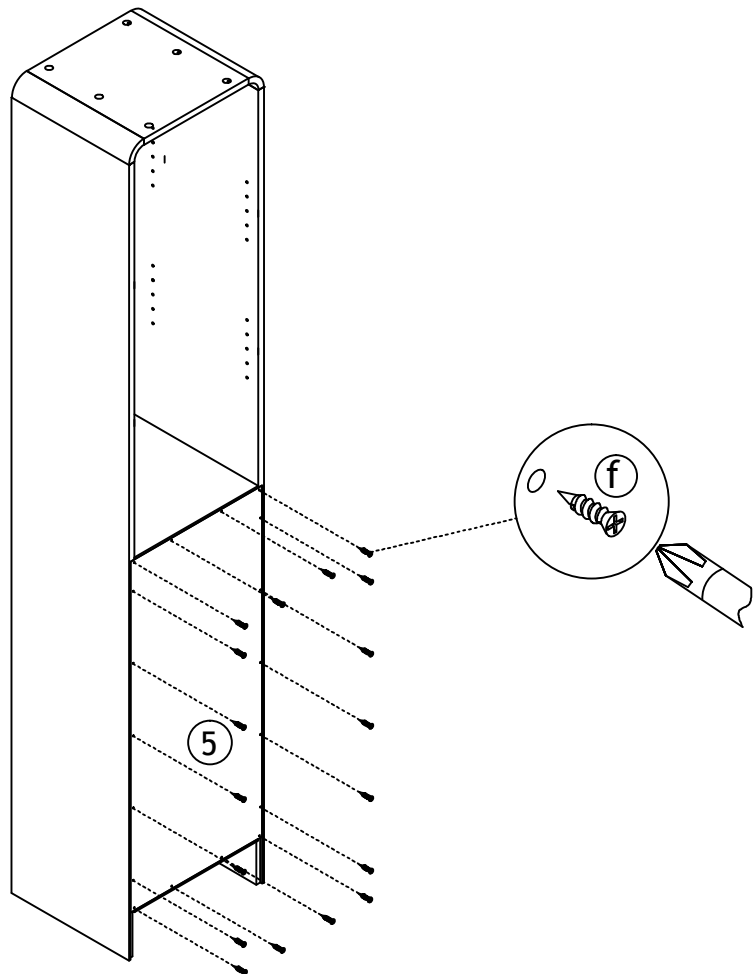
Please follow these instructions carefully



5.



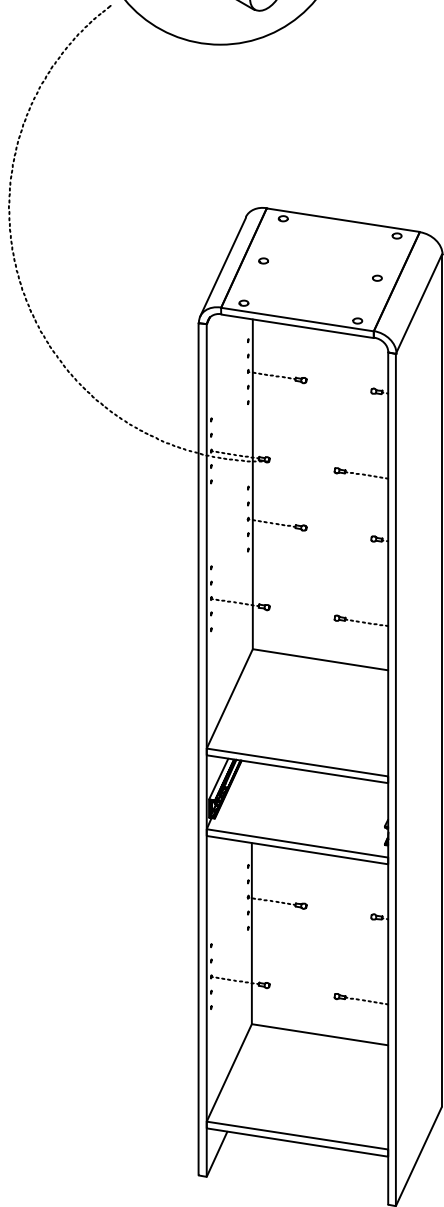
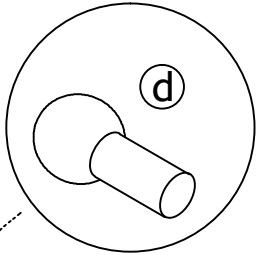
6.



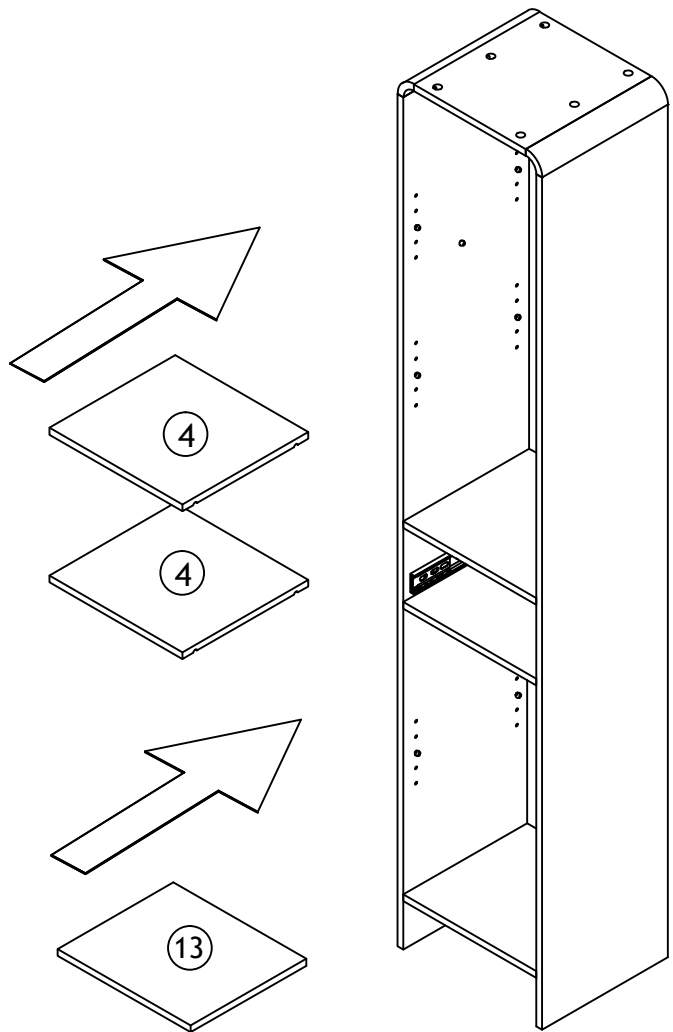


How To Assemble Your Cabinet

Please follow these instructions carefully



7.



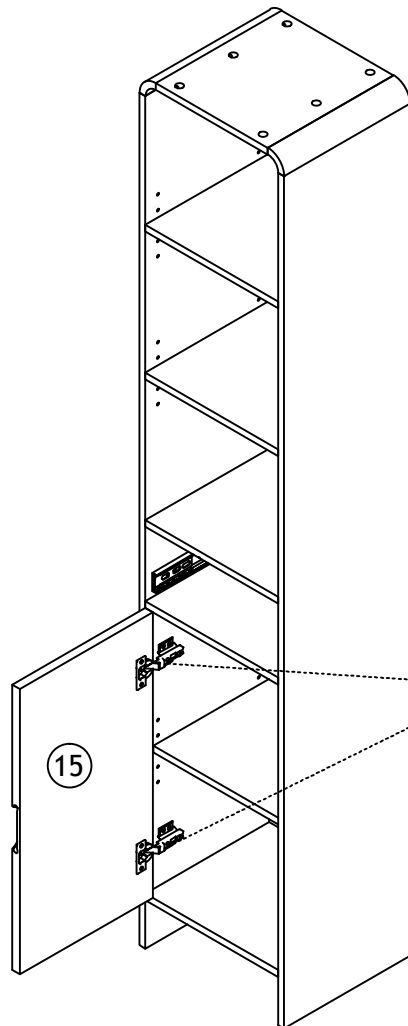
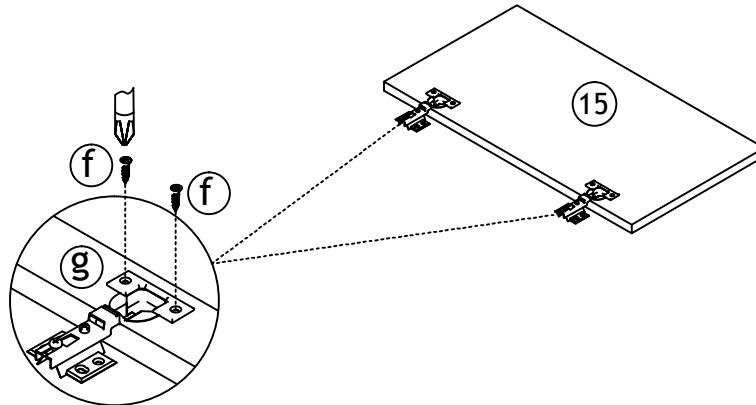
6.



How To Assemble Your Cabinet

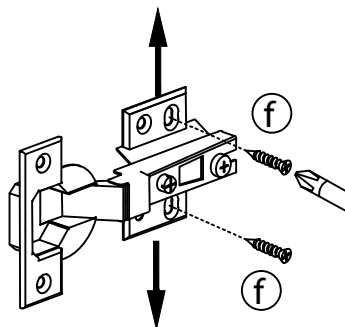
Please follow these instructions carefully

8.

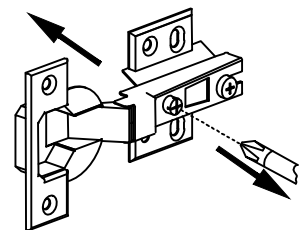


9.

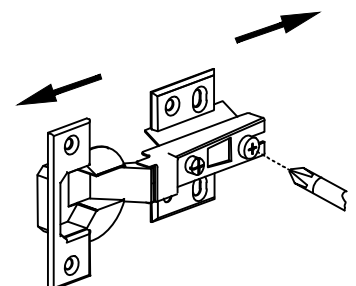
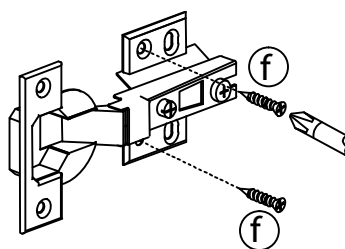
Fix these screws first when attaching doors to Wardrobe unit.



The door can be adjusted right or left by this screw.



The door can be adjusted front or back by this screw.

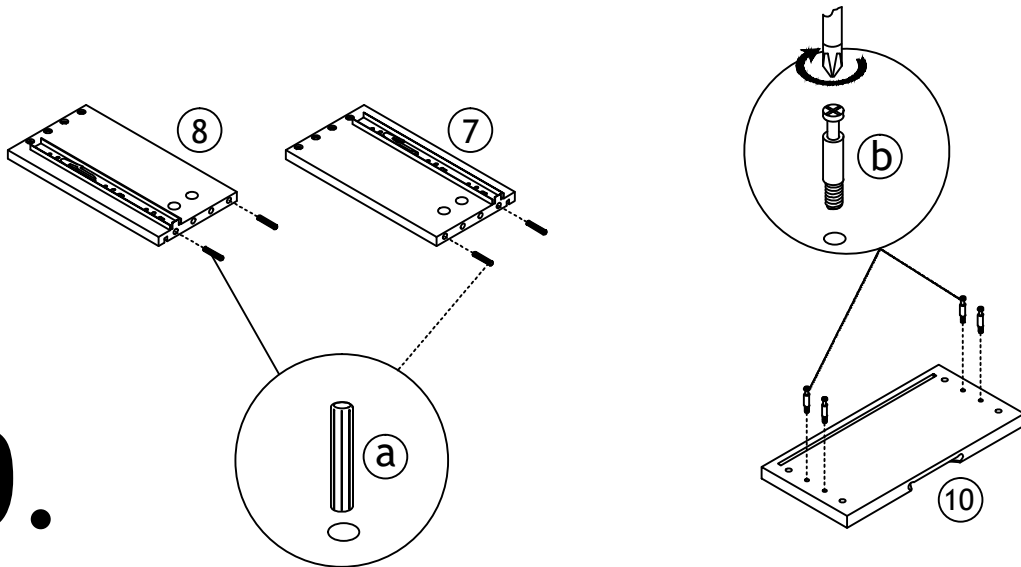




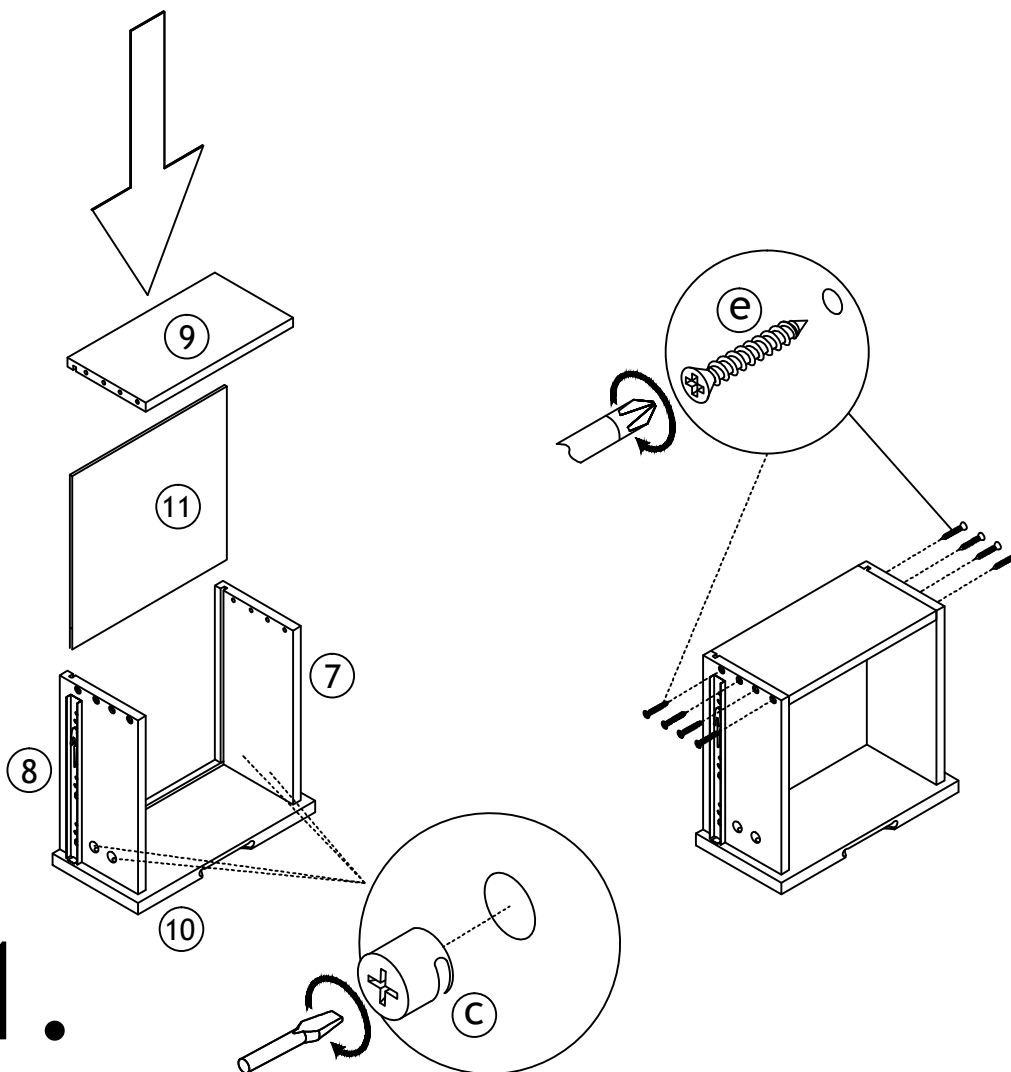
How To Assemble Your Cabinet

Please follow these instructions carefully

10.



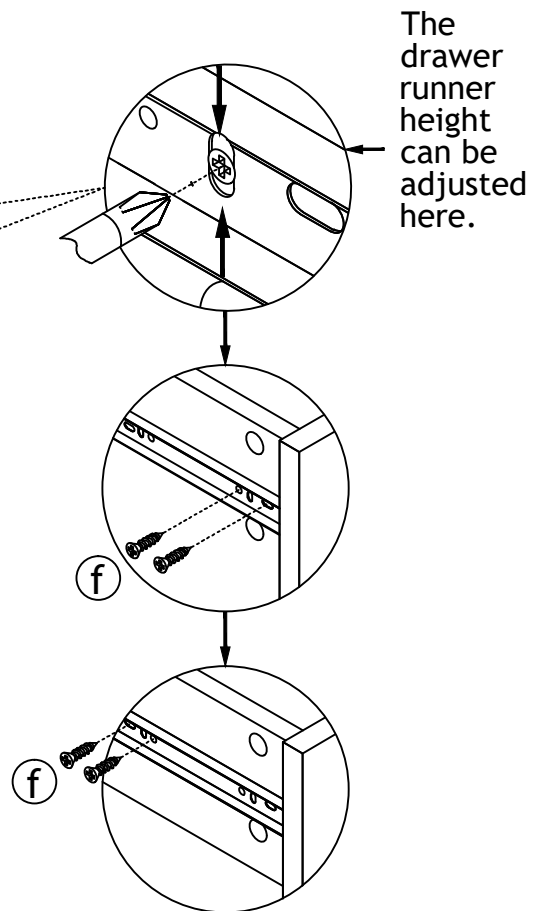
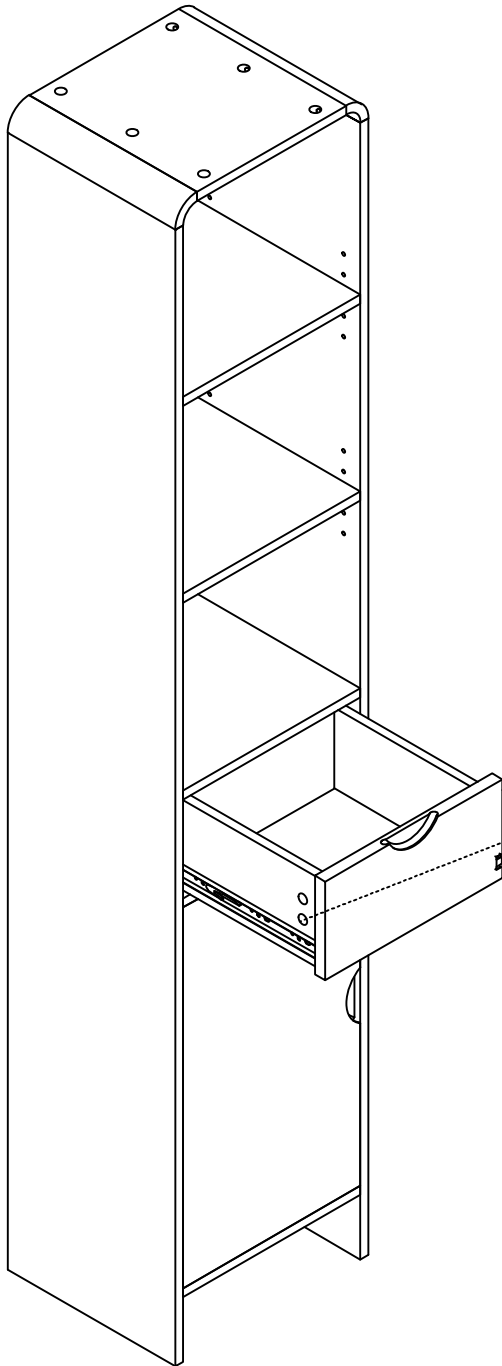
11.





How To Assemble Your Cabinet

Please follow these instructions carefully



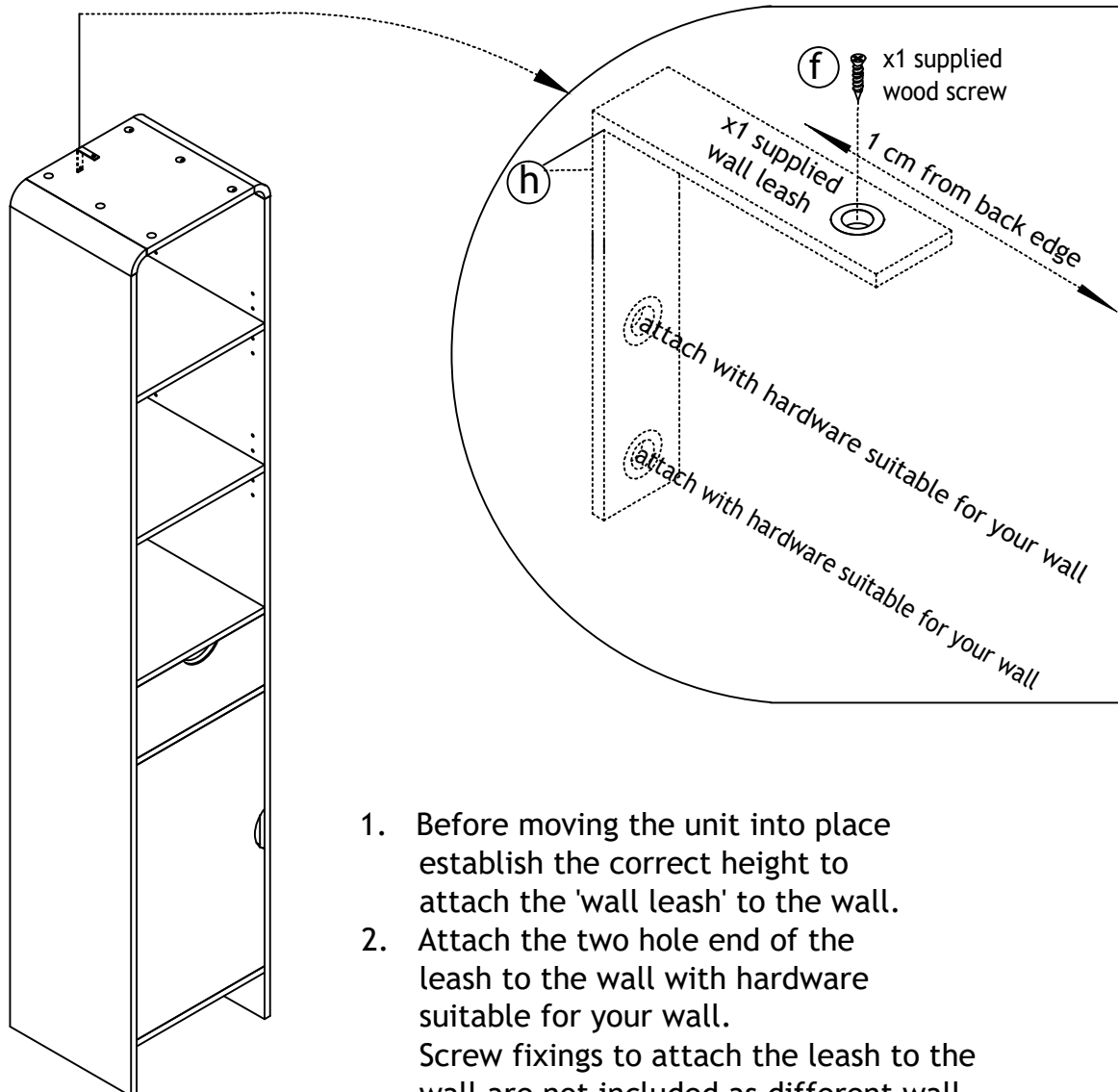
12.



How To Assemble Your Cabinet

Please follow these instructions carefully

IMPORTANT! a wall leash must be used with this product



1. Before moving the unit into place establish the correct height to attach the 'wall leash' to the wall.
2. Attach the two hole end of the leash to the wall with hardware suitable for your wall.
Screw fixings to attach the leash to the wall are not included as different wall materials require different types of fixing. Contact your local specialised hardware store for advice on suitable fixing.
3. Move headboard into place and attach the one hole end of the leash, with the supplied wood screw, to the underside rear of shelf part 3.

13.



How To Use

Please read carefully

FINISH

Timber may be selected to ensure that the visible surfaces are of a higher grade than unseen surfaces. These unseen areas are not finished to the same standard as the visible surfaces.

CARE

To clean your Cabinet, wipe with a damp cloth followed by a dry cloth.

IMPORTANT

To ensure maximum performance from this product, we advise that you check and tighten all bolts and screws on a regular basis to avoid damage and strain to parts.

GUARANTEE

This instruction leaflet forms part of your guarantee, please retain it. The ROPO number along with your invoice number will need to be quoted in all correspondence with Futon Company.

Thank you for choosing Futon Company.

