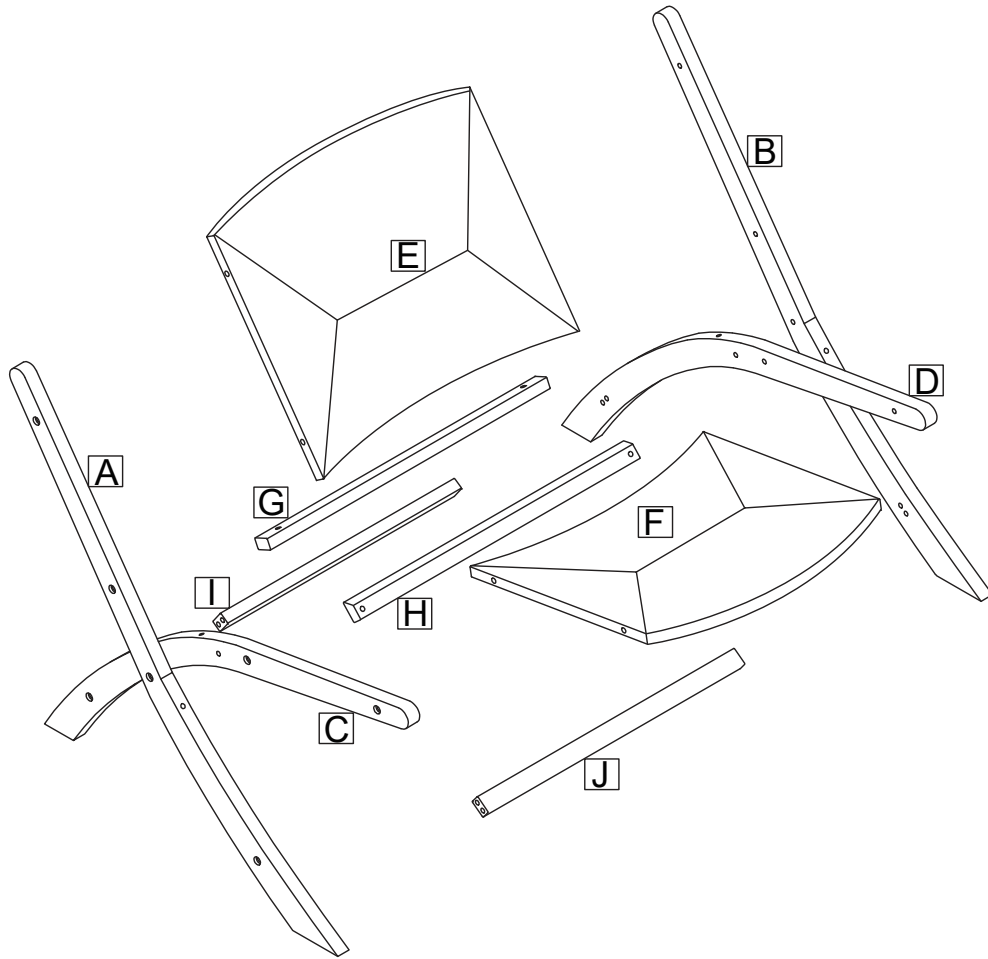


Assembly Instructions  
Weaver Folding Chair

Parts Checklist



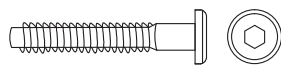
Fittings Checklist

①



M6\*40 - x10

②



Ø7\*45 - x8

③



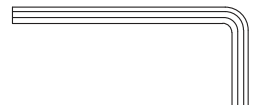
Ø8\*30MM - x4

④



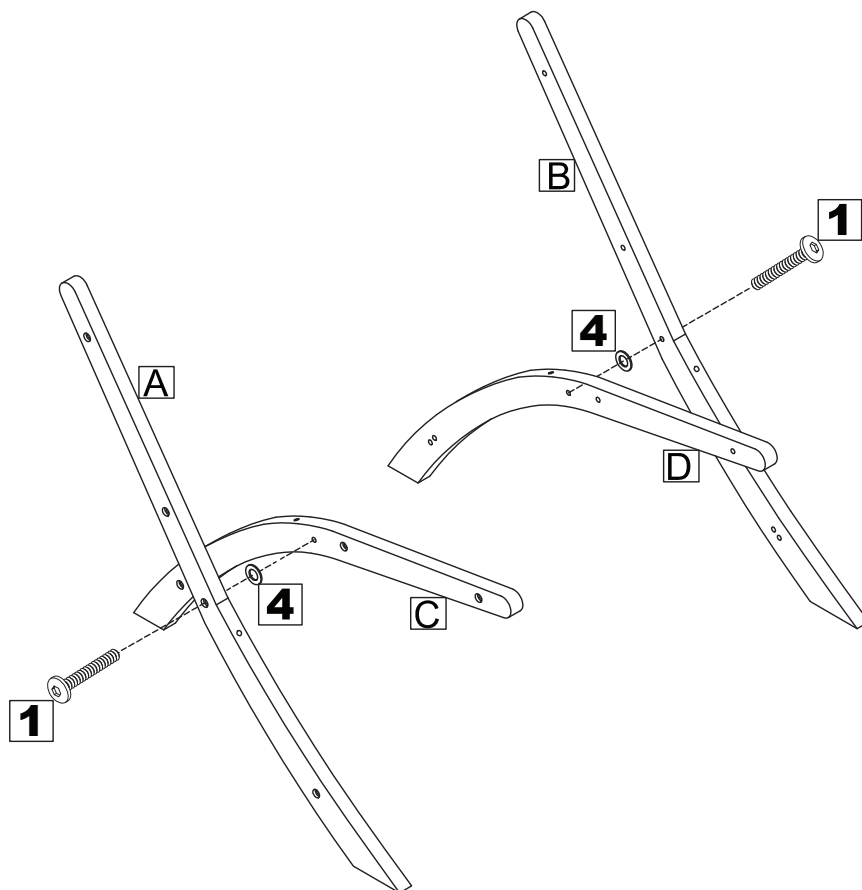
x2

⑤

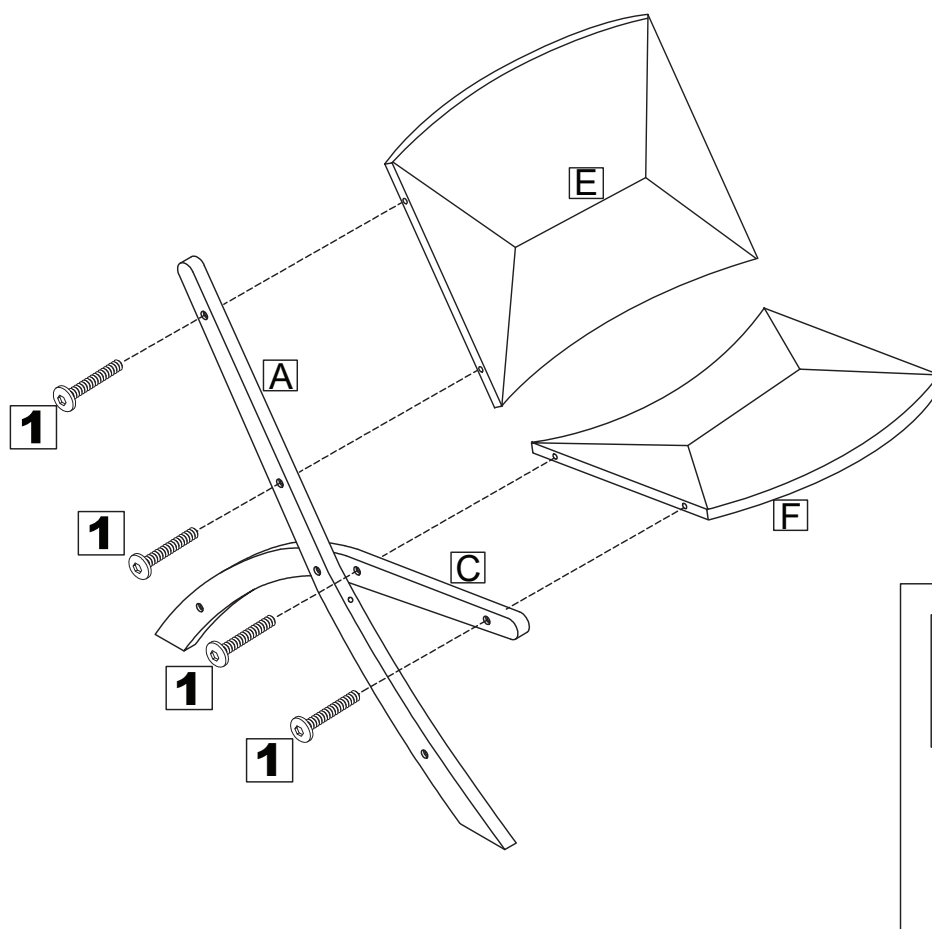


x1

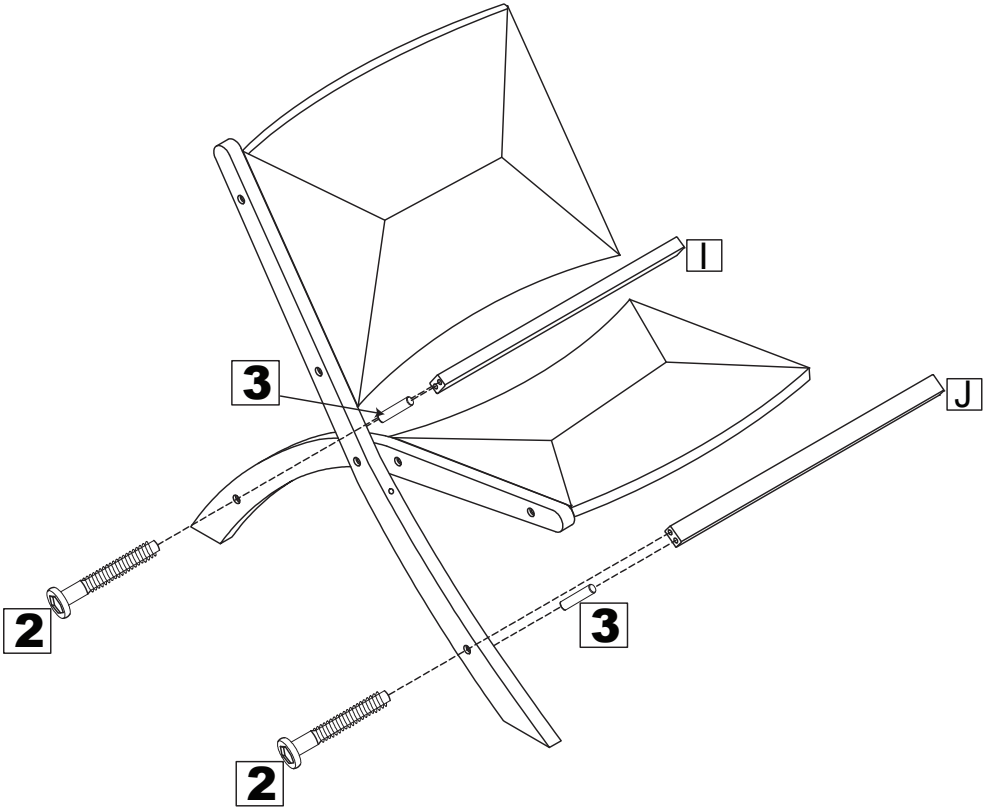
# STEP 1



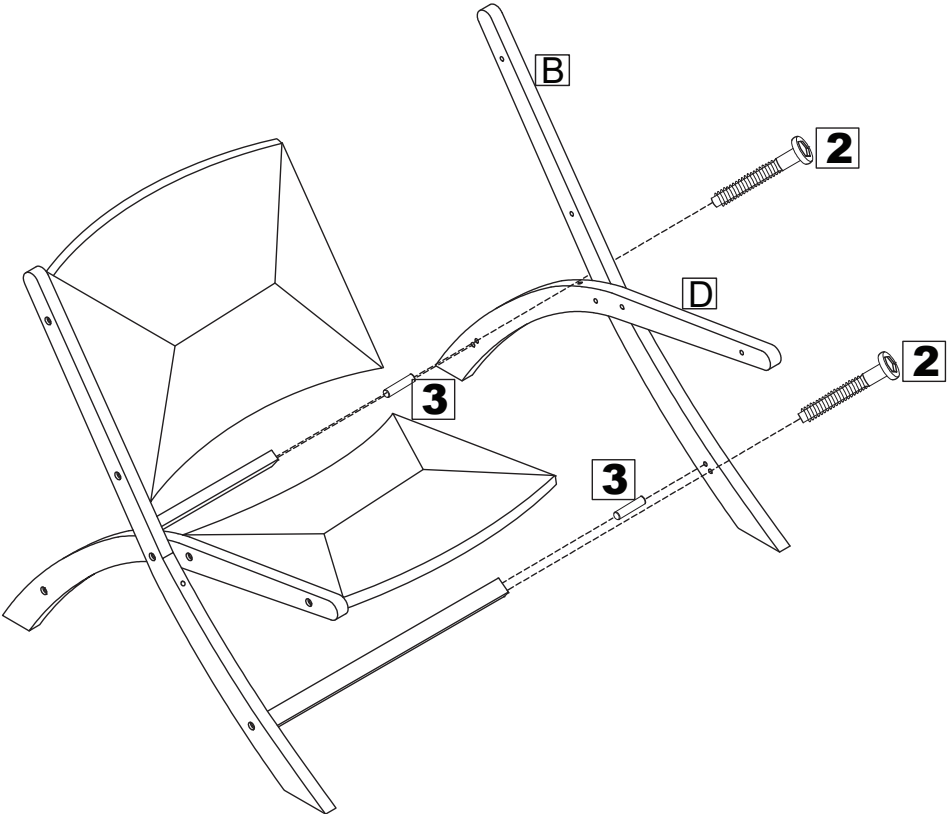
# STEP 2



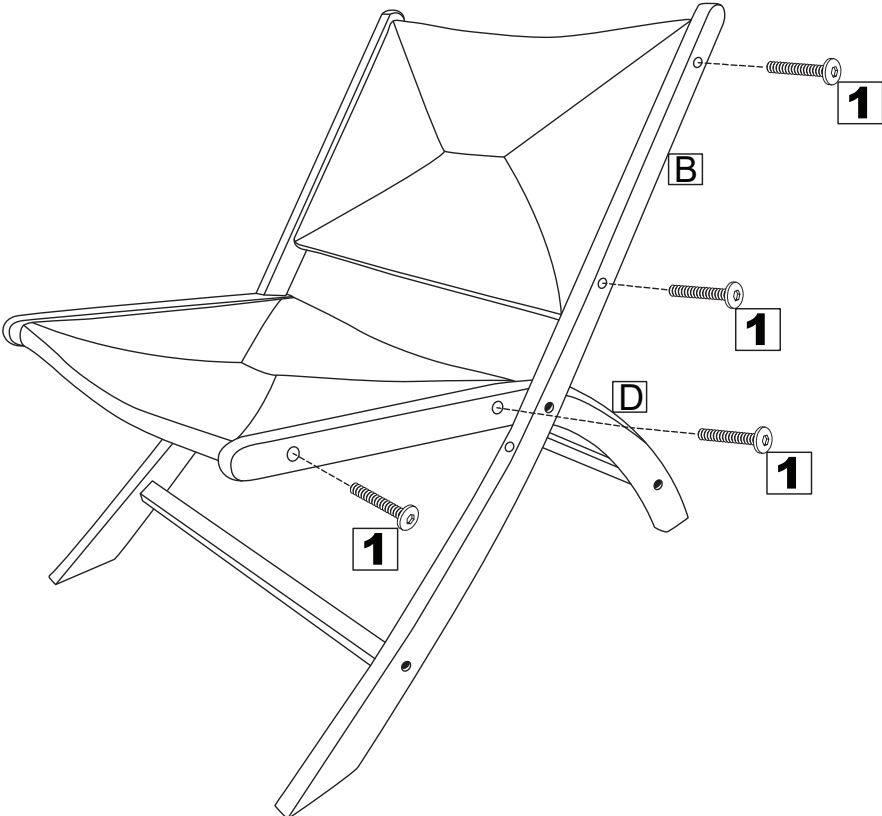
**STEP 3**



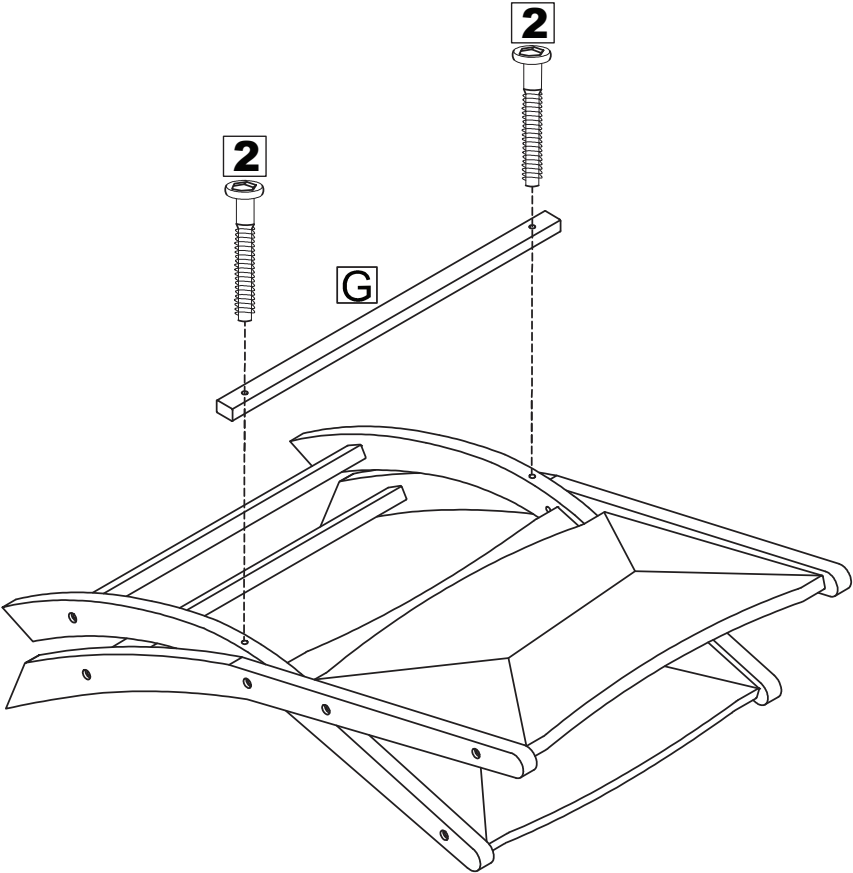
**STEP 4**



**STEP 5**

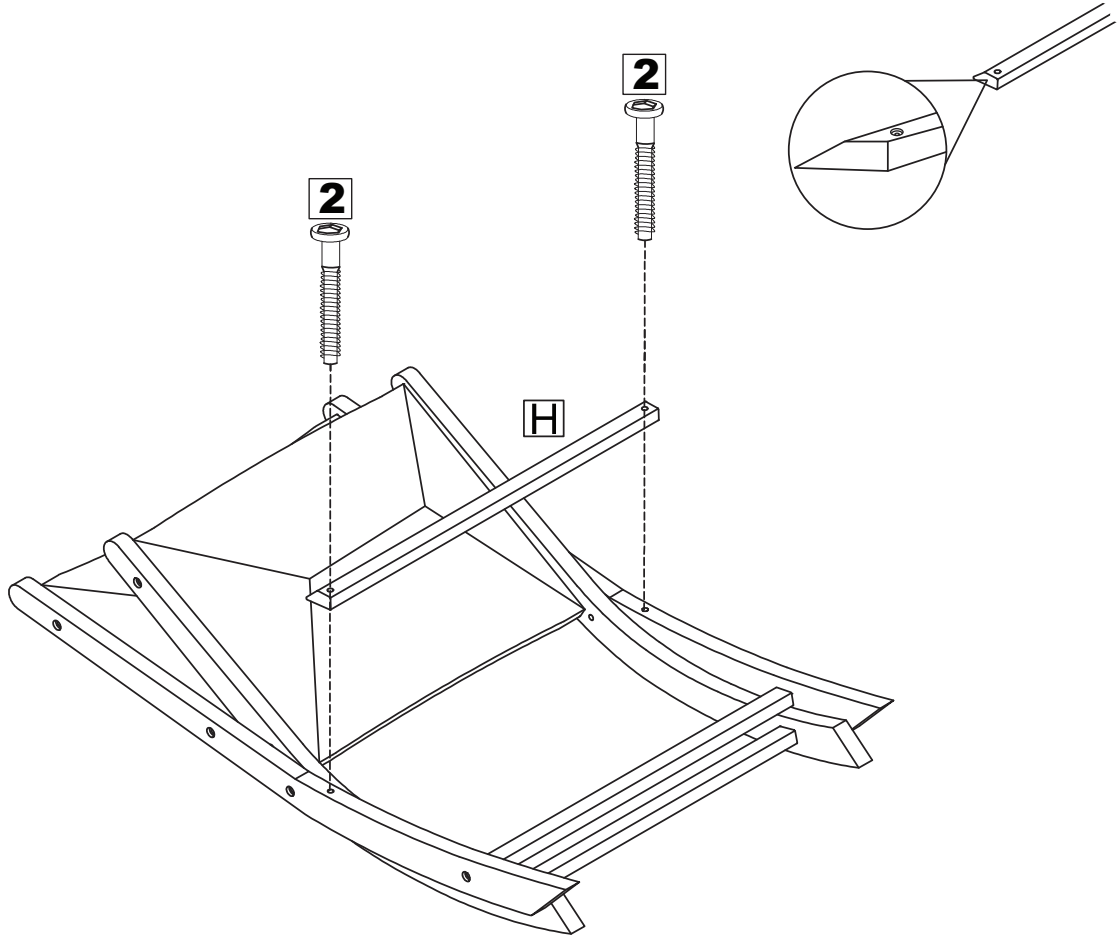


**STEP 6**



# STEP 7

\*Note : The Under Seat Stretcher (H) has an angled edge



# STEP 8

