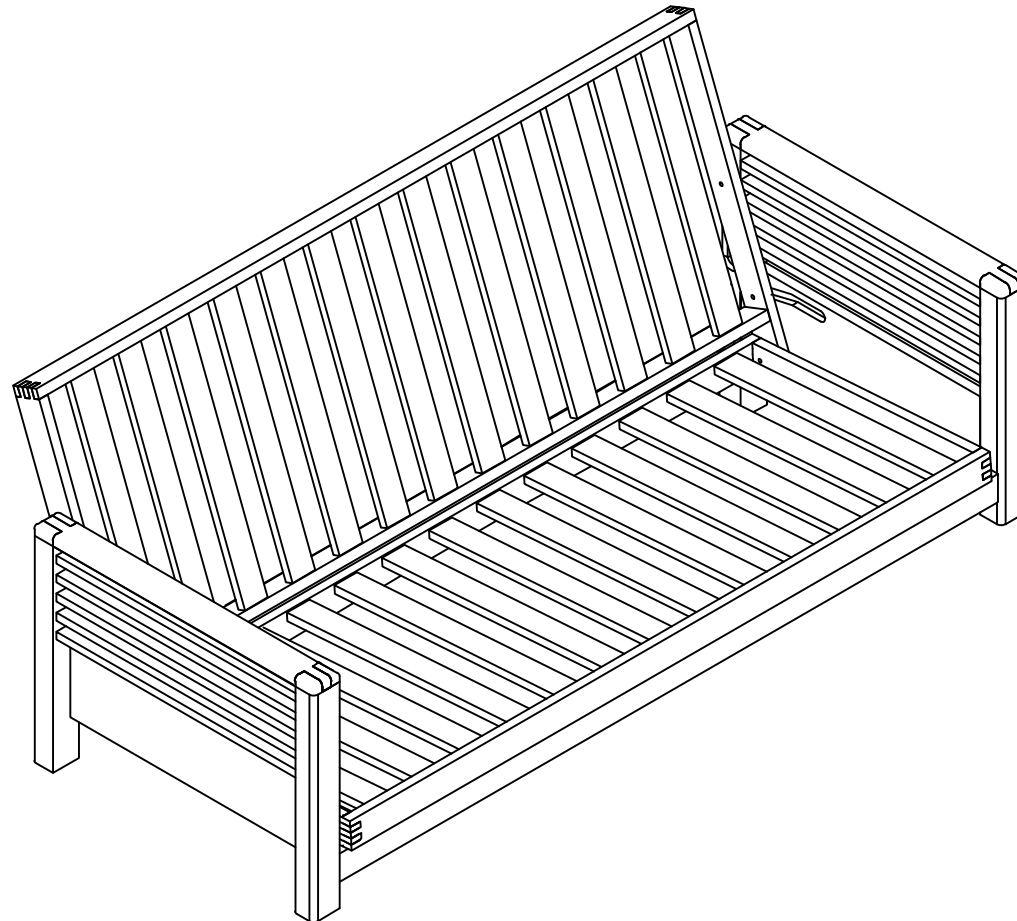


# Assembly Instructions

## Sofa bed - Oak Horizon Bifold

**FUTON**  
C O M P A N Y

Ropo no:



Please read these instructions very carefully before you begin to ensure that your Futon Company sofa bed will give you many years of satisfaction

Thank you for buying a Futon Company product.

We are constantly striving to improve everything we do, but very occasionally mistakes do occur.

In the unlikely event that you find any part missing, please call your nearest Futon Company store and we will arrange for the despatch of an immediate replacement.

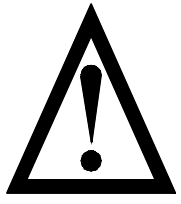
Please keep all packaging until you have checked every part and assembly of your Futon Company product is complete.

version number:1

product code: SB3 HRZN OAK SET

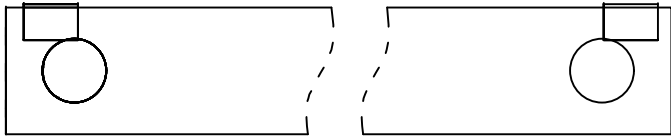
Date: 25/09/25

*experts in small space living*

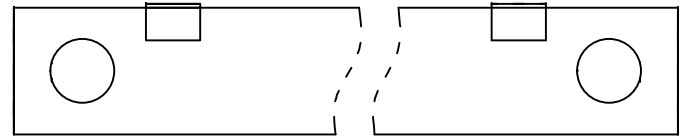


## Part Checklist

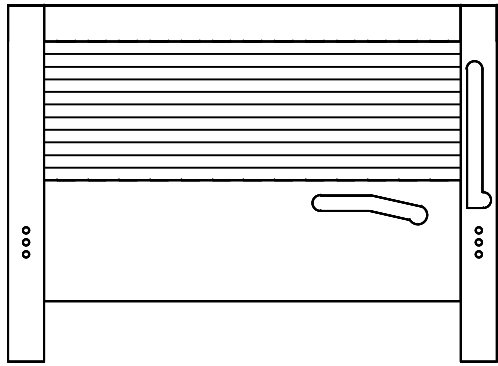
Please count and check every component very carefully before you begin



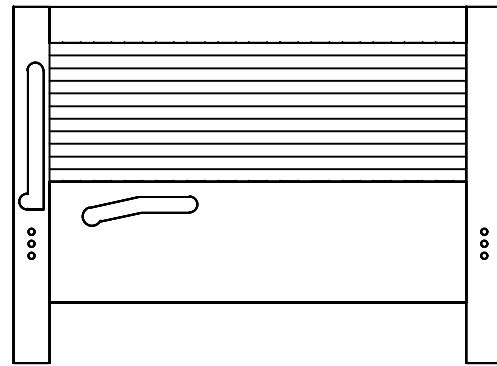
① Back cross rail x 1



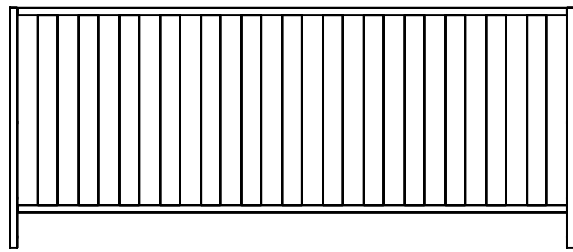
② Front cross rail x 1



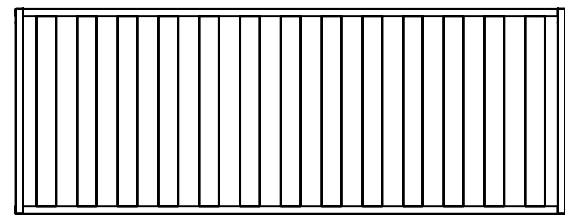
③ LH Side arm x 1



④ RH Side arm x 1



⑤ Back panel x 1

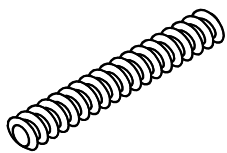


⑥ Seat panel x 1

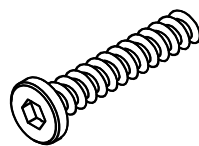


## Fittings Checklist

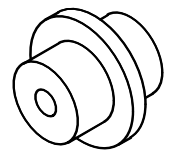
Please count and check every component very carefully before you begin



① Bolt x 4



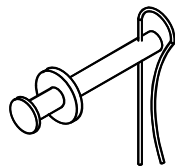
② Allen Head Bolt x 4



③ Runner Wheel x 4



④ Pressure Plate x 4



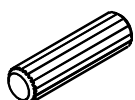
⑤ Pin x 2



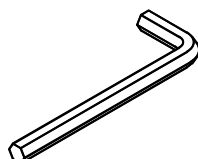
⑥ Small Washer x 4



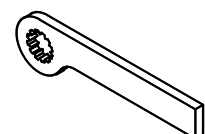
⑦ Nut x 4



⑧ Dowel x 8



⑨ Allen Key x 1



⑩ Small Spanner x 1

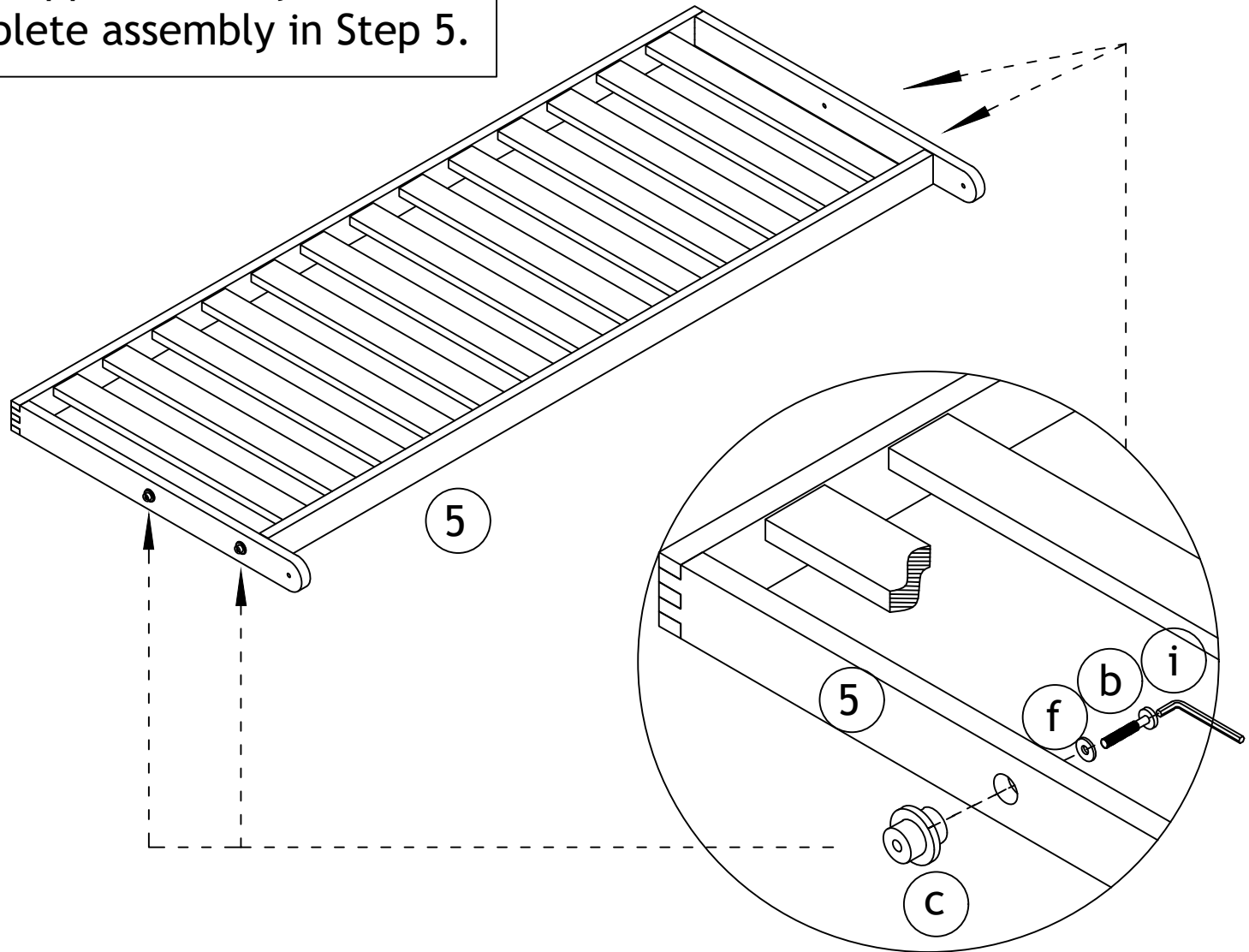


# How To Assemble Your Sofa Bed

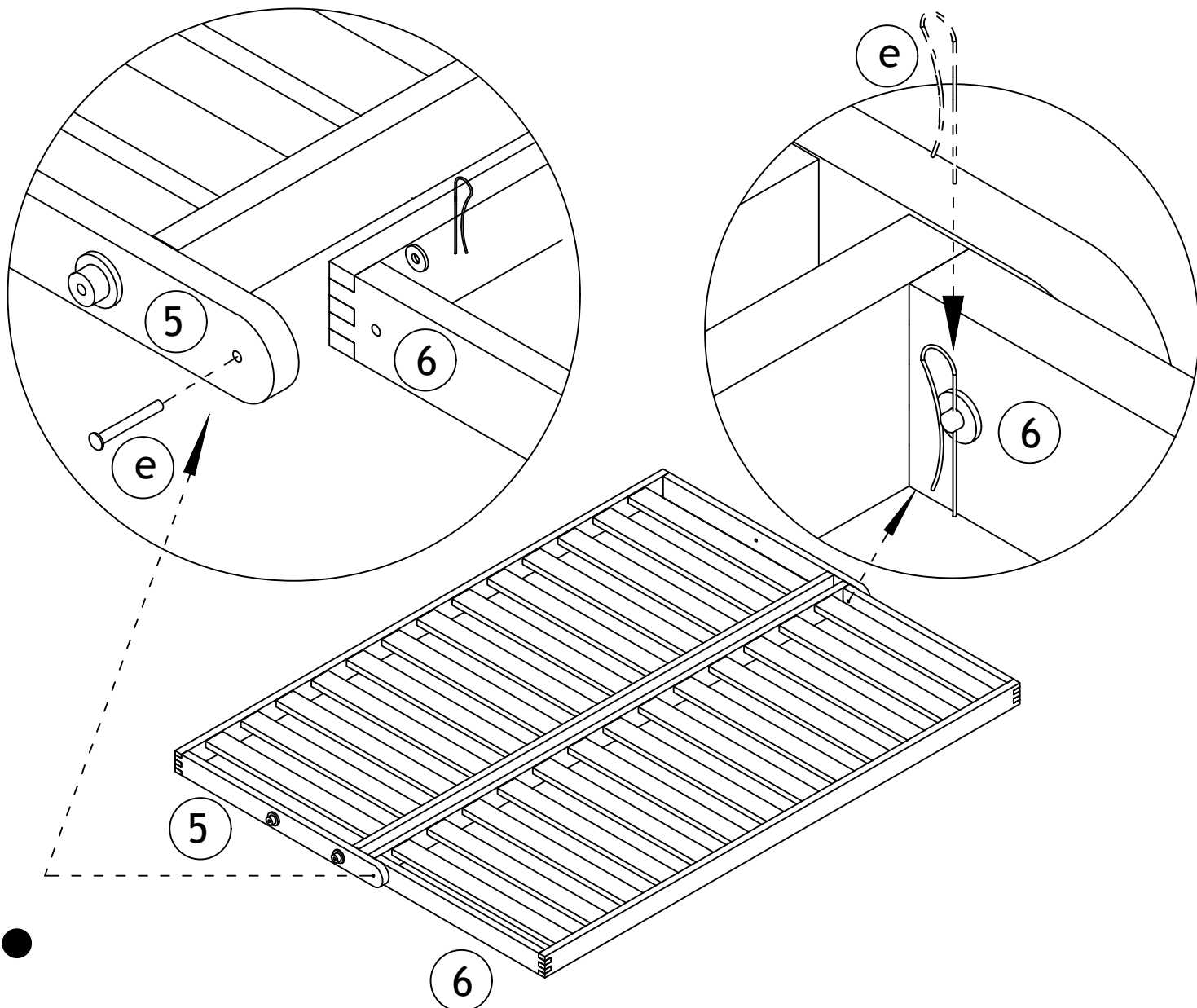
Please follow these instructions carefully

Do not fully tighten fittings.  
Tighten to approximately 80% and  
then complete assembly in Step 5.

# 1.



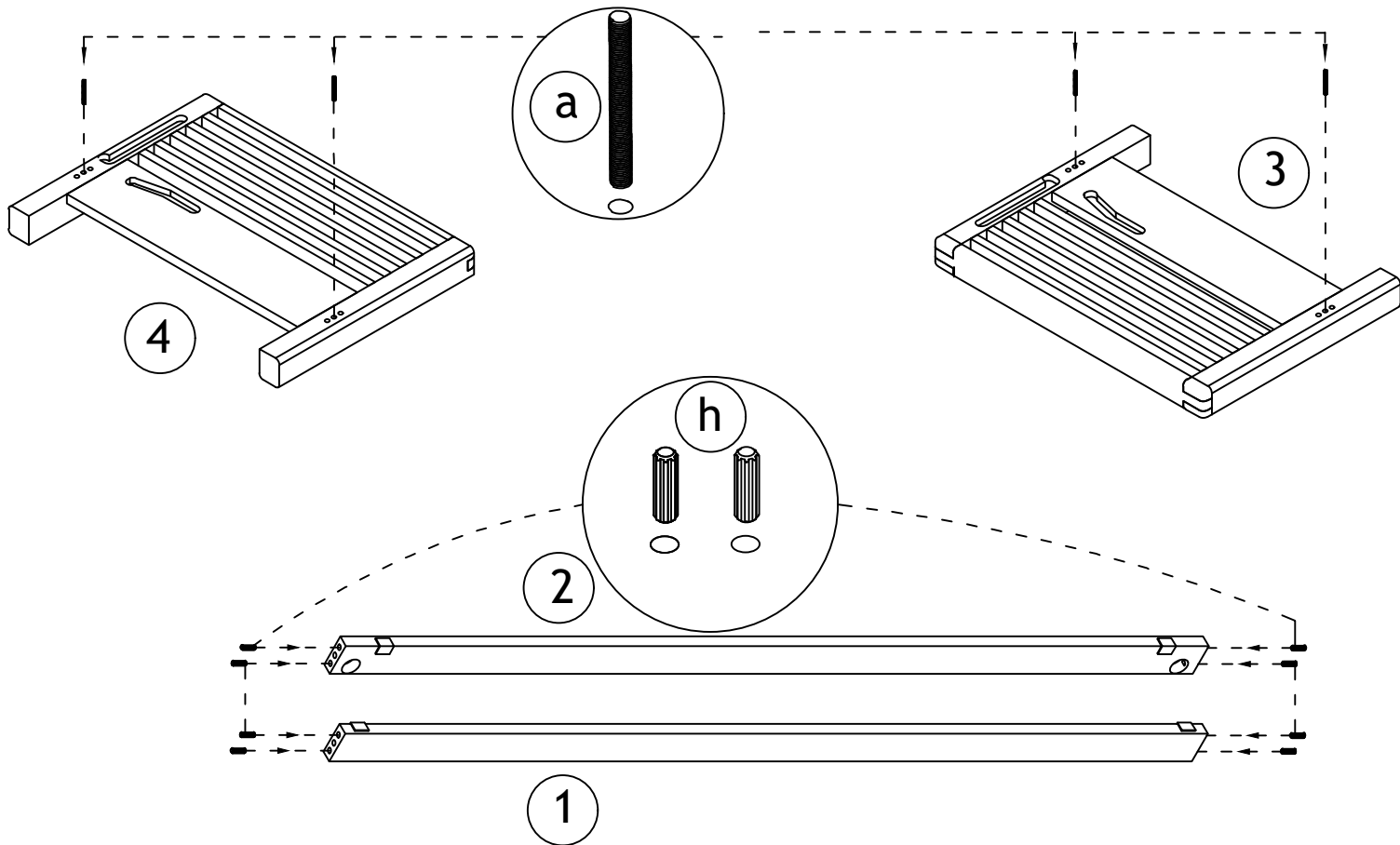
# 2.





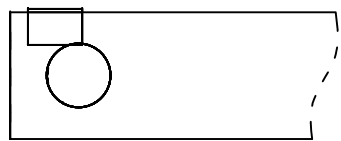
# How To Assemble Your Sofa Bed

Please follow these instructions carefully

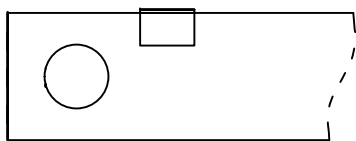


# 3.

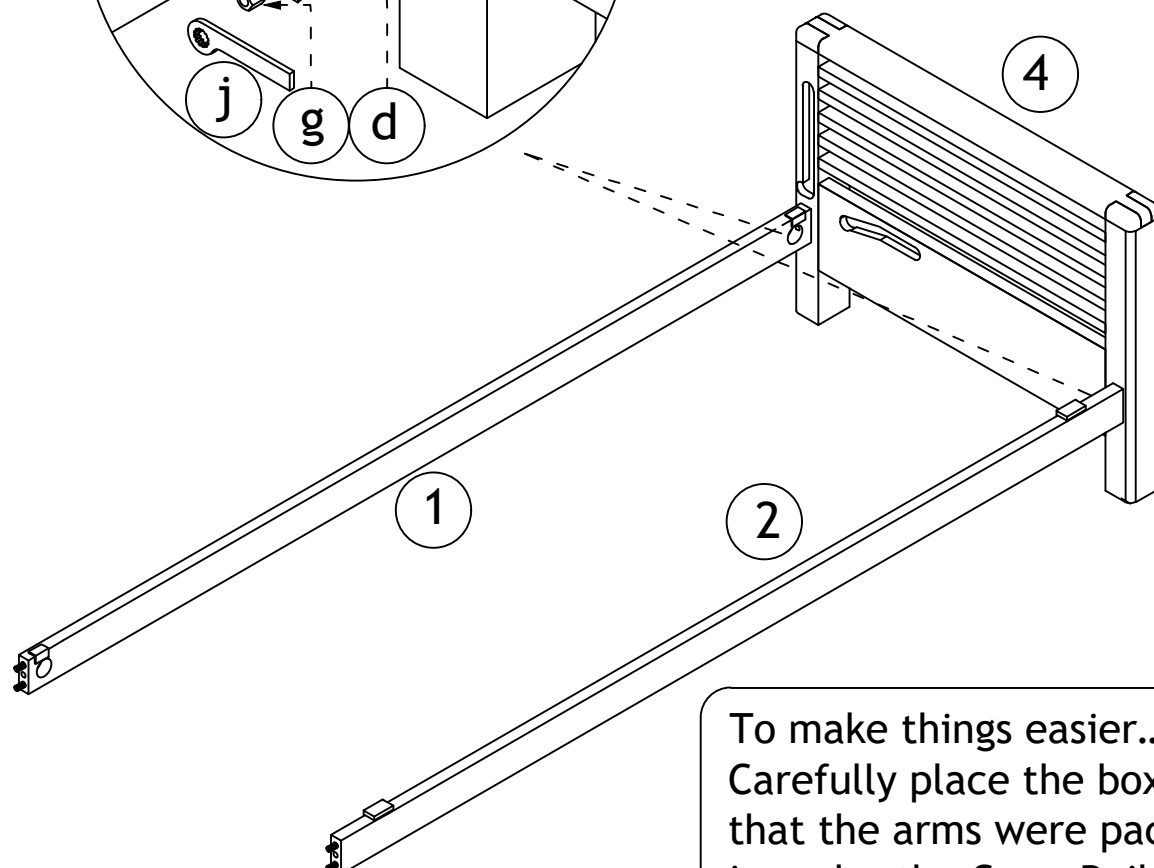
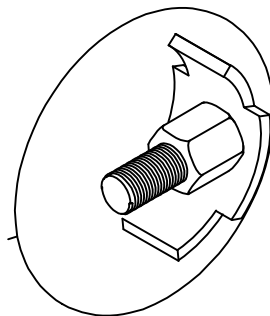
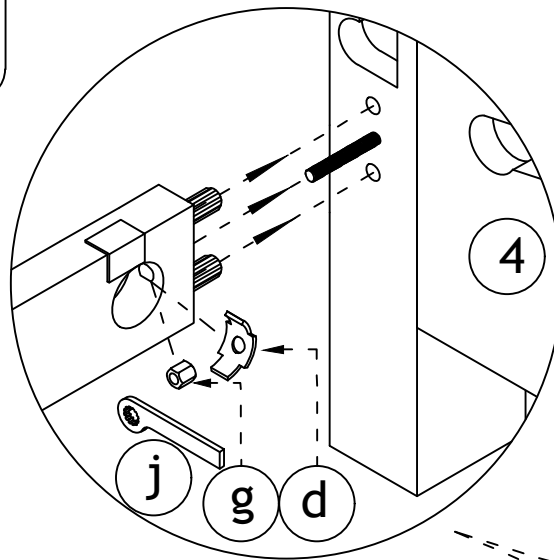
Note illustrated position of fitting holes and metal plates on Cross Rails.



1



2



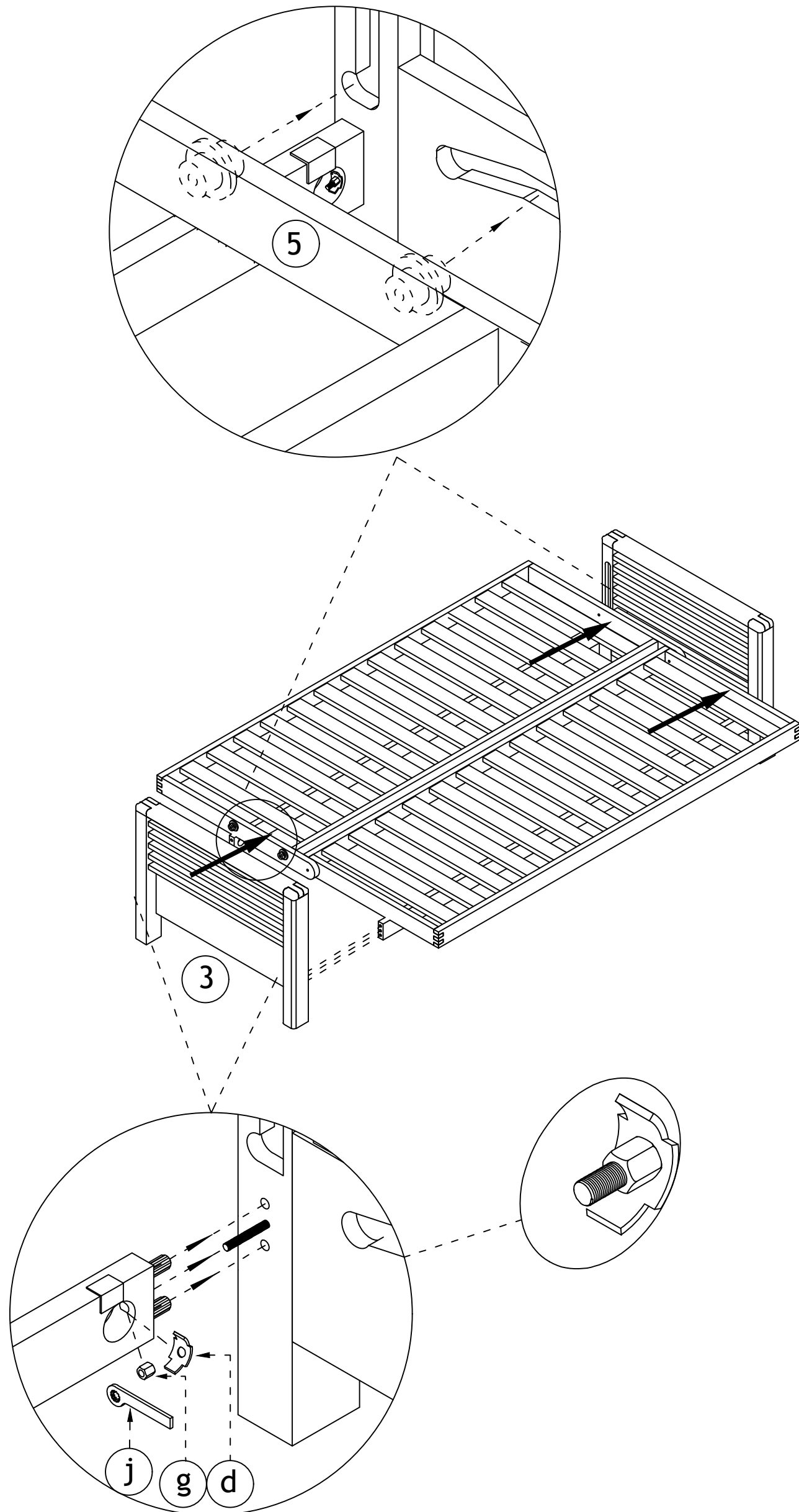
# 4.

To make things easier... Carefully place the box that the arms were packed in under the Cross Rails.



# How To Assemble Your Sofa Bed

Please follow these instructions carefully



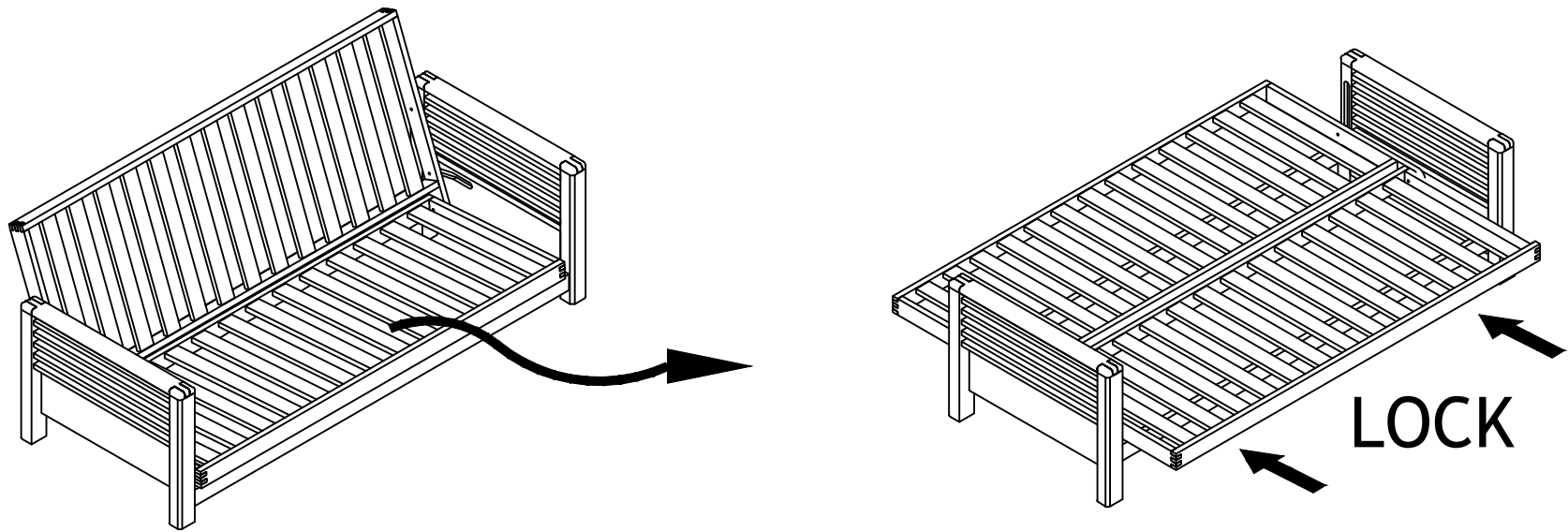
# 5.



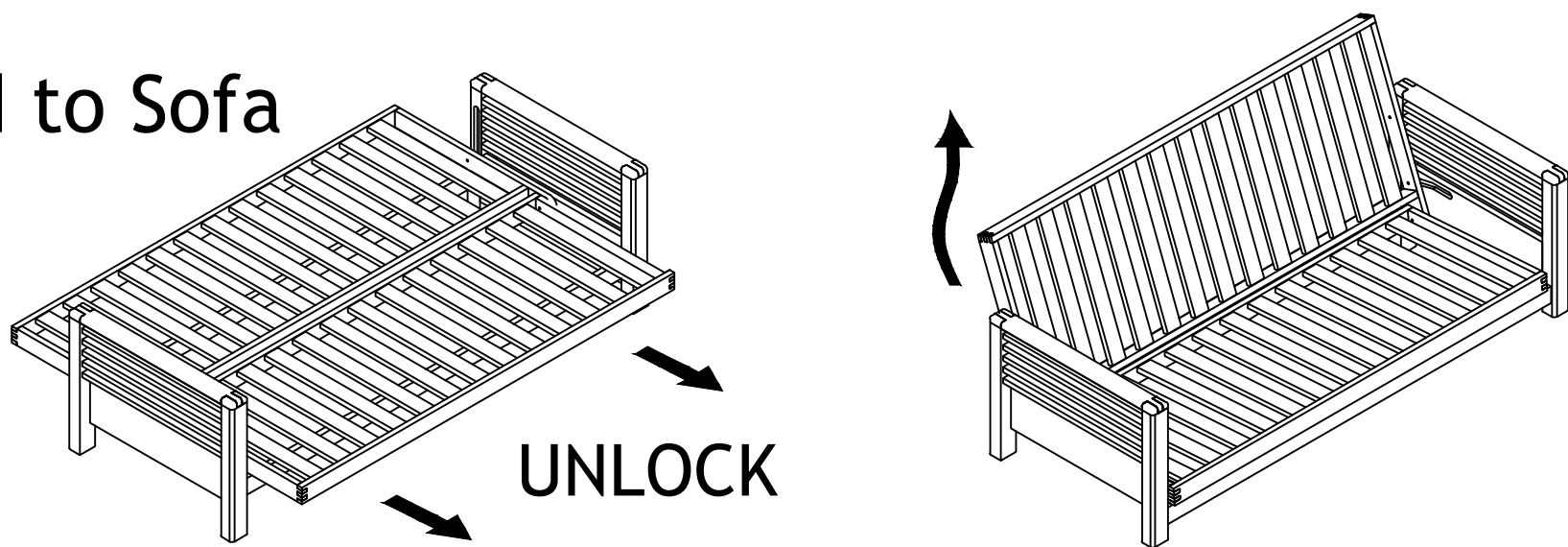
## How To Use

Please read carefully

### Sofa to Bed



### Bed to Sofa



#### CONVERTING YOUR SOFA INTO A BED

Slide the back and seat deck in the direction of the arrows. After opening ensure that the frame is locked into position.

When moving your sofa bed, please CAREFULLY LIFT IT and DO NOT PULL IT BY THE ARMS OR DRAG IT. Dragging the sofa bed will pull out the fittings and damage the arms.

#### FINISH

Your Oak frame is made from solid oak and has an oiled finish.

#### CARE

Wipe with a soft damp cloth. To spot clean your frame rub with fine wire wool along the grain and very lightly re-oil with boiled linseed oil and allow 48 hours to dry.

#### IMPORTANT

To ensure maximum performance from this product, we advise that you check and tighten all bolts and screw on a regular basis to avoid damage and strain to parts.

#### GUARANTEE

This instruction leaflet forms part of your guarantee, please retain it. The ROPO number along with your invoice number will need to be quoted in all correspondence with Futon Company.

Thank you for choosing Futon Company.