

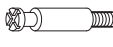














ASSEMBLY INSTRUCTIONS

Paradise Print Chest of Drawers

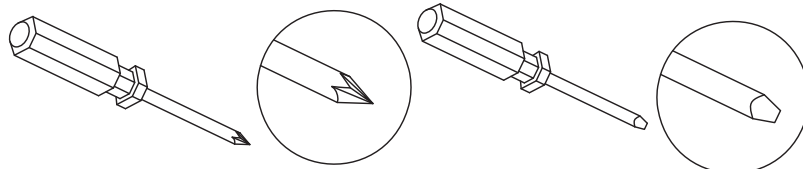
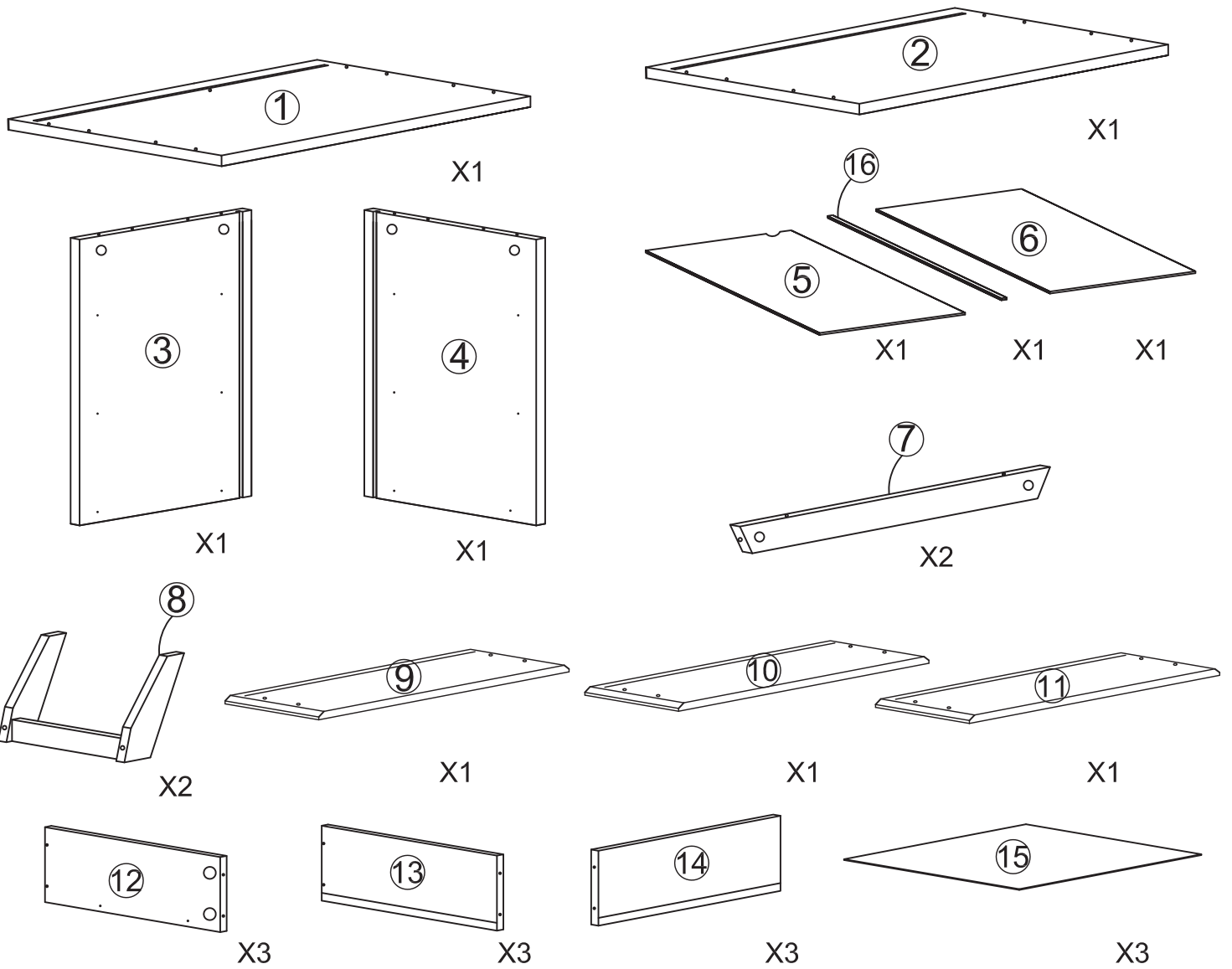
FUTON
C O M P A N Y

Fittings Checklist

ST COD PARD

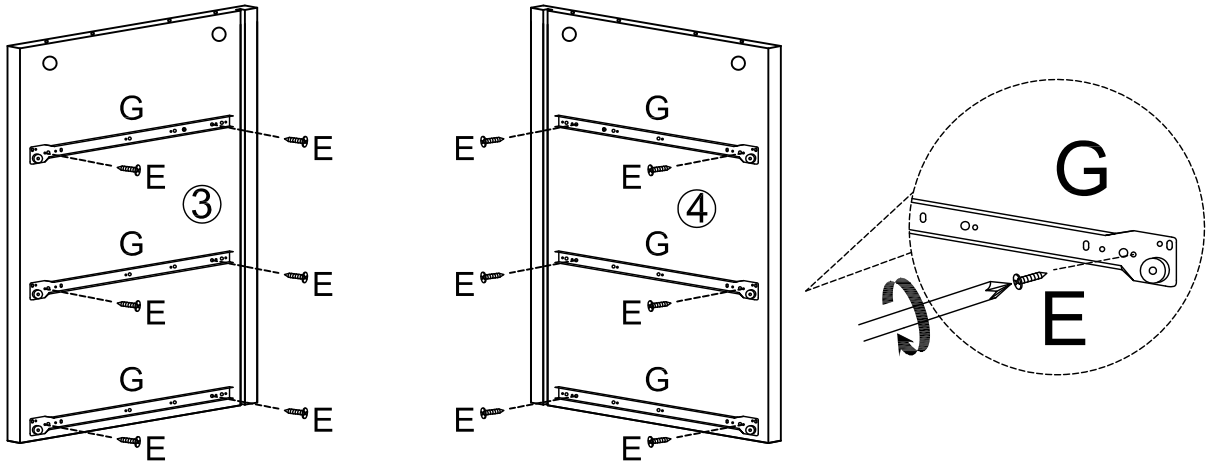
A	B	C	D	E	F	G	H	I	J	N
										
16 PIECES	16 PIECES	8 PIECES	8 PIECES	24 PIECES	12 PIECES	6 PIECES	6 PIECES	4 PIECES	4 PIECES	8 PIECES
O	M	W	Y							
										
8 PIECES	4 PIECES	1 PIECE	1 PIECE							

Parts Checklist

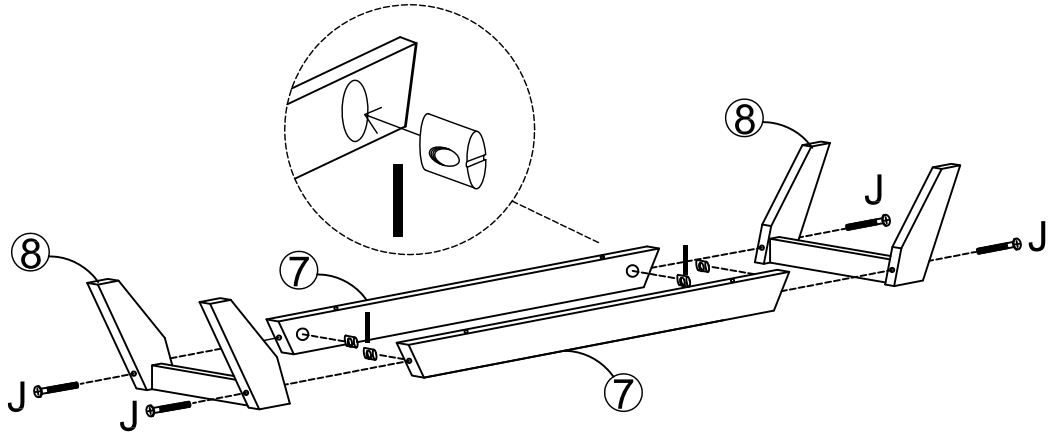


*Cross head and flat head screwdrivers also required for assembly

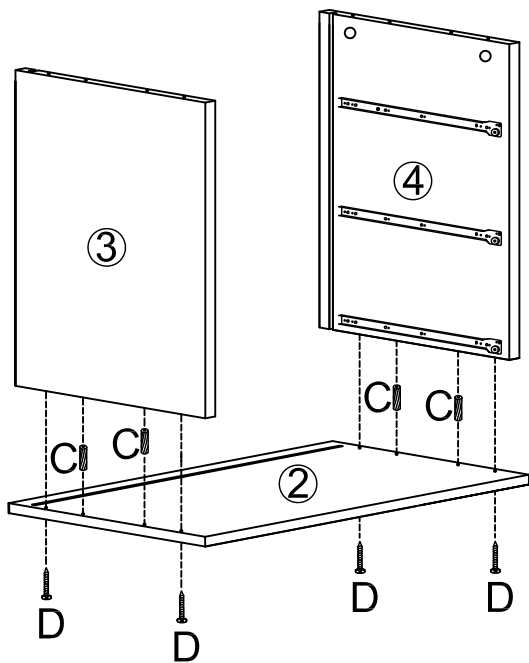
1.



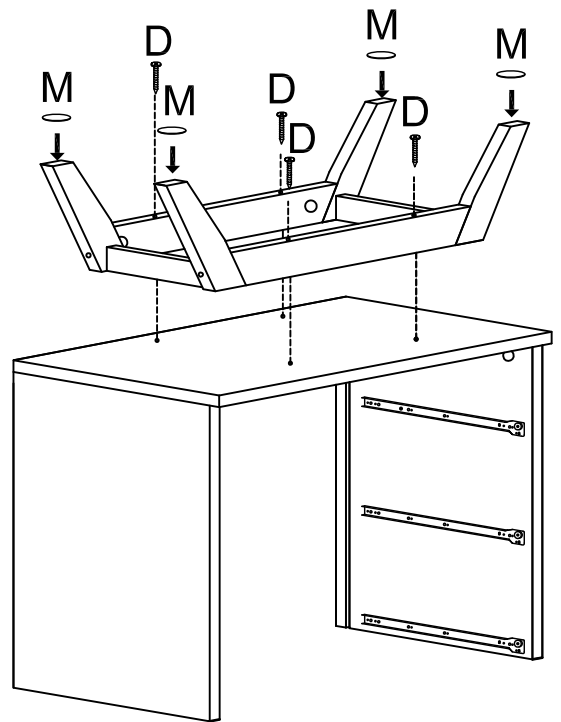
2.



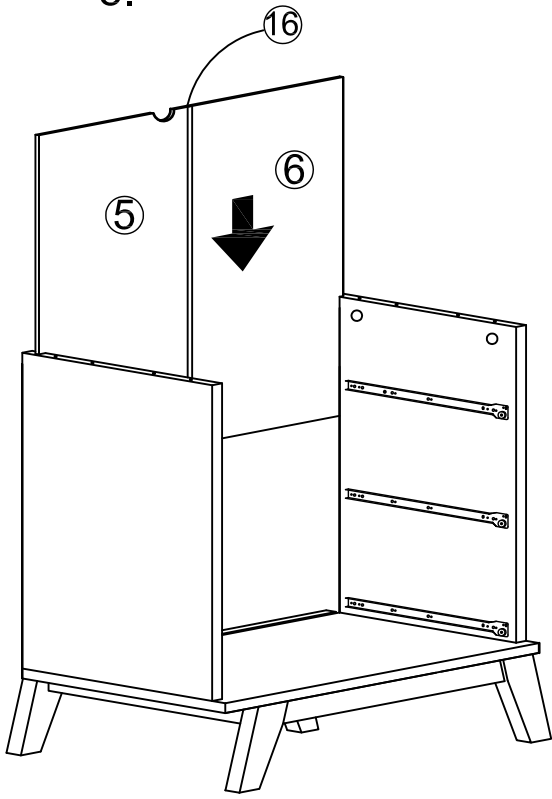
3.



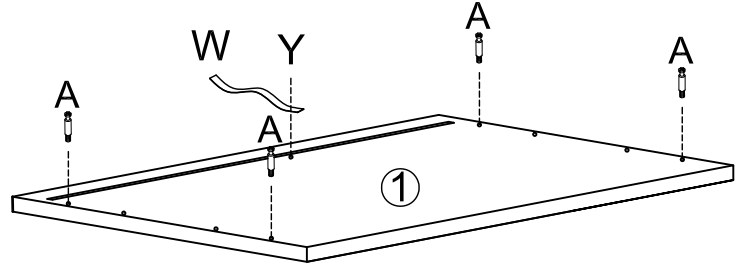
4.



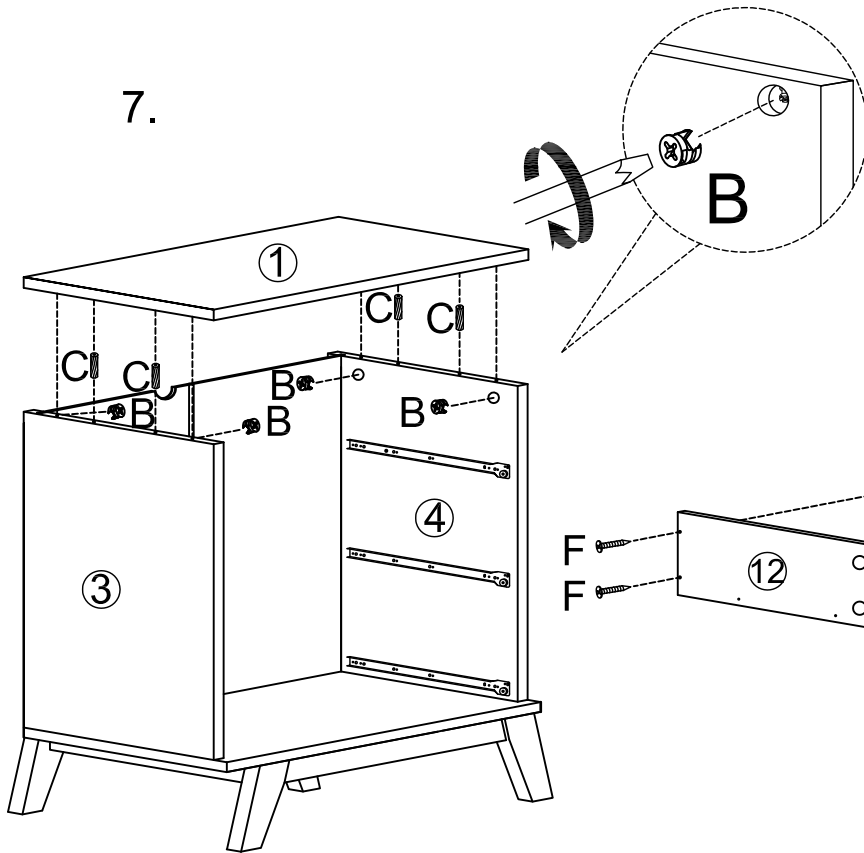
5.



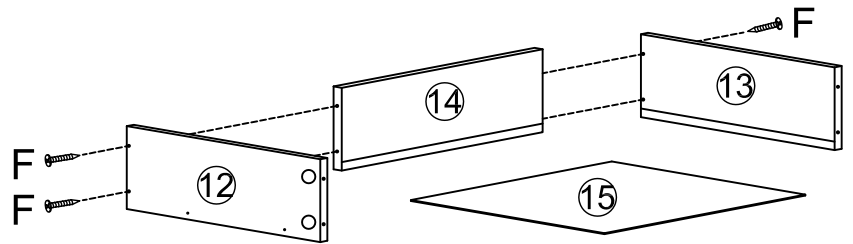
6.



7.

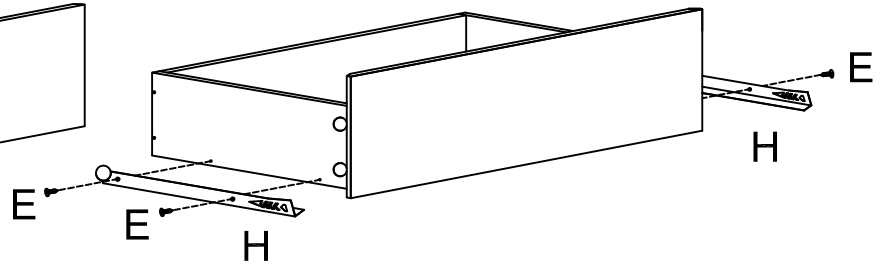
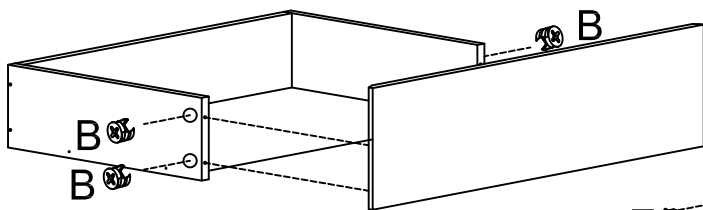
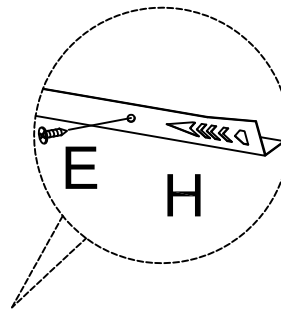
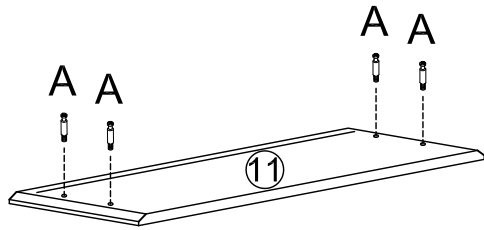
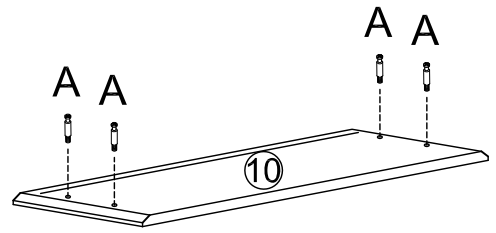
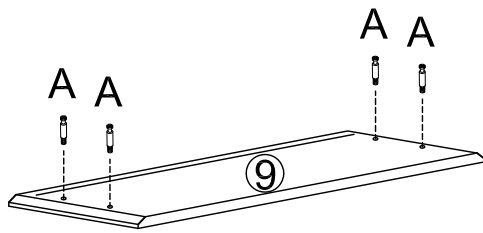
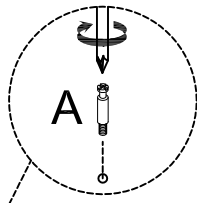


8.



X3

9.

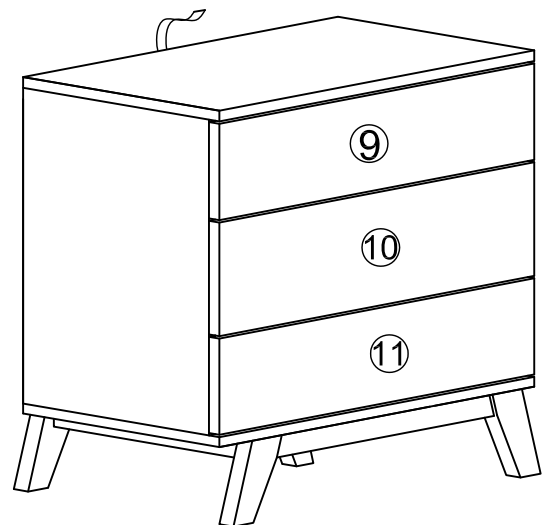
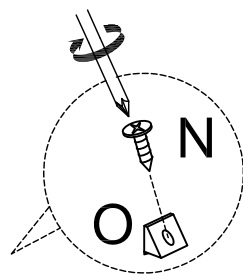
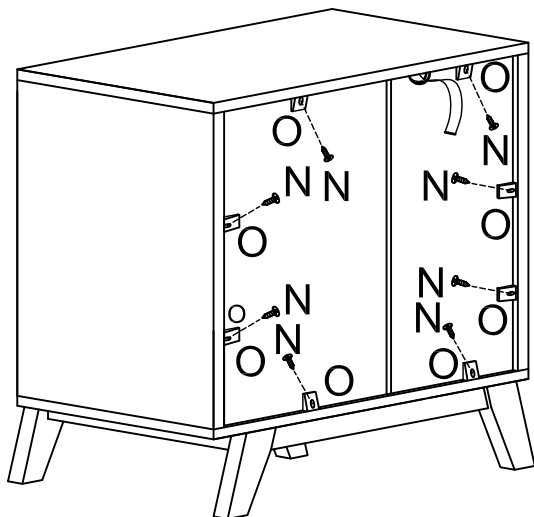


X3

X3

10.

11.



A fixing to secure the wall leash to the wall is not supplied. For advice on the correct fixing for your wall type, please seek advice from your local hardware store