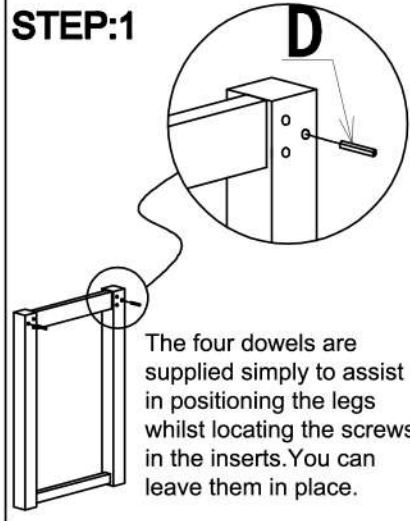


# ASSEMBLY INSTRUCTION

# FUTON

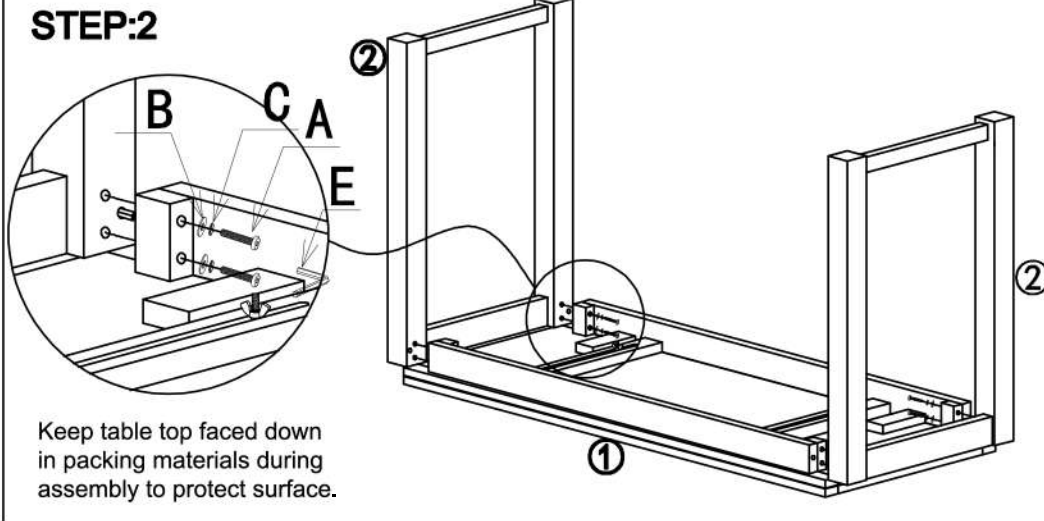
C O M P A N Y

## STEP:1



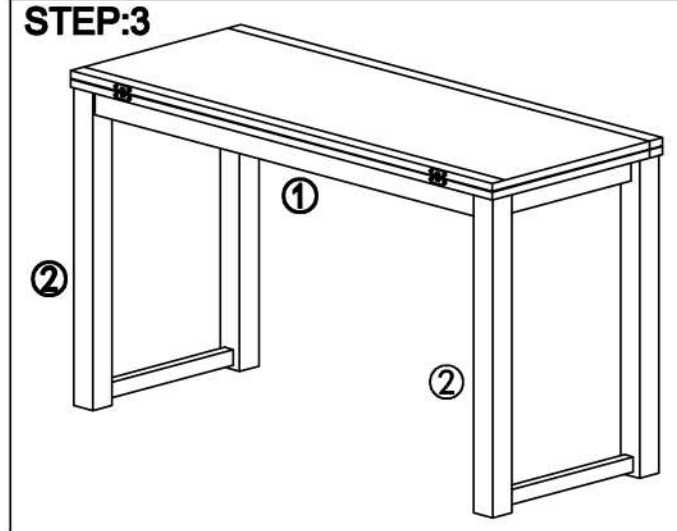
The four dowels are supplied simply to assist in positioning the legs whilst locating the screws in the inserts. You can leave them in place.

## STEP:2

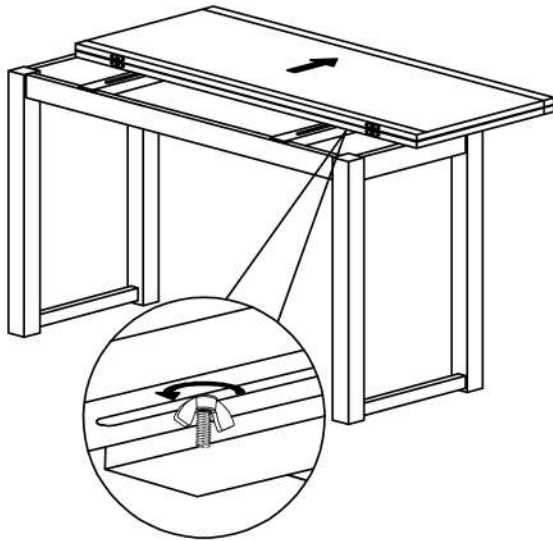


Keep table top faced down in packing materials during assembly to protect surface.

## STEP:3

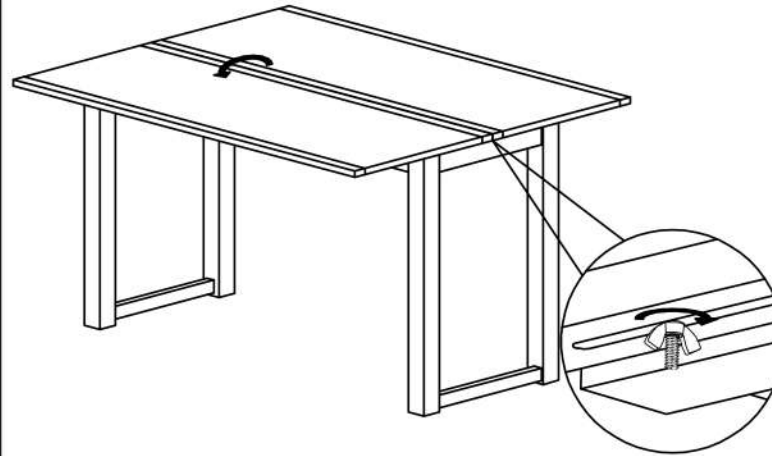


## STEP:4



Always slide table first before opening to prevent damage.

## STEP:5



Fold open leaf and tighten slide lock.

ITEM NAME : SOLARI CONSOLE TABLE  
PRODUCT CODE : T4 SOL CON 100

### PARTS LIST

Top	Leg
① 1Pc	② 2Pcs

### HARDWARE LIST

8PCS	8PCS	8PCS	4PCS	1PC