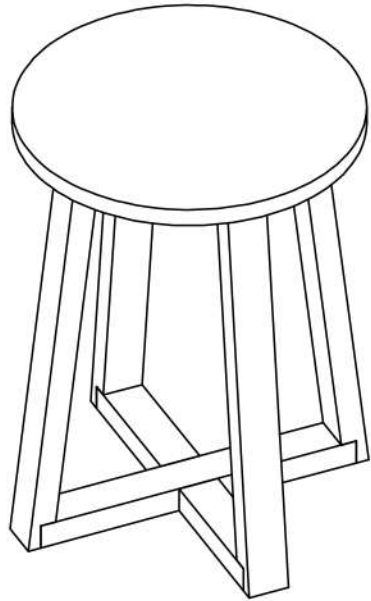


## Edo Dressing Stool

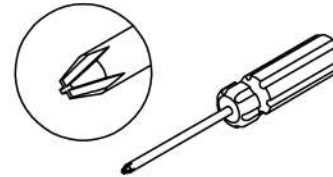


Please read these instructions very carefully before you begin assembly to ensure that your Futon Company product will give you many years of satisfaction.

Thank you for buying a Futon Company product. We are constantly striving to improve everything we do, but occasionally mistakes do occur. In the unlikely event that you find any part missing please call your nearest Futon Company store and we will arrange for the despatch of an immediate replacement.

Please keep all packaging until you have checked every part and assembly of your Futon Company product is complete.

This product should take approximately 20 minutes to assemble by one person.



You will need a cross head screwdriver to assemble this product. An electric drill may cause damage and is not recommended.

An allen key is supplied with this product for assembly.

The fittings pack contains **SMALL ITEMS** which should be **KEPT AWAY FROM YOUNG CHILDREN**. Please check the pack contents before attempting to assemble this product. A full checklist of components is given in this leaflet.

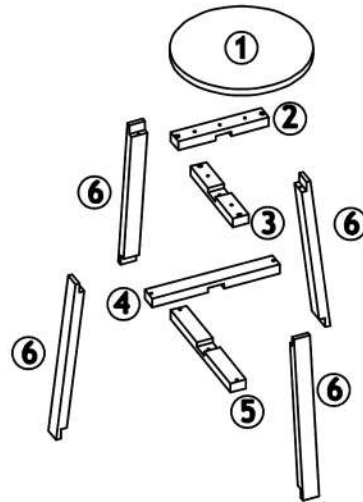
**STOOL DRESS EDO**

# Fittings and Parts Checklist





Please check and count every component very carefully before you begin

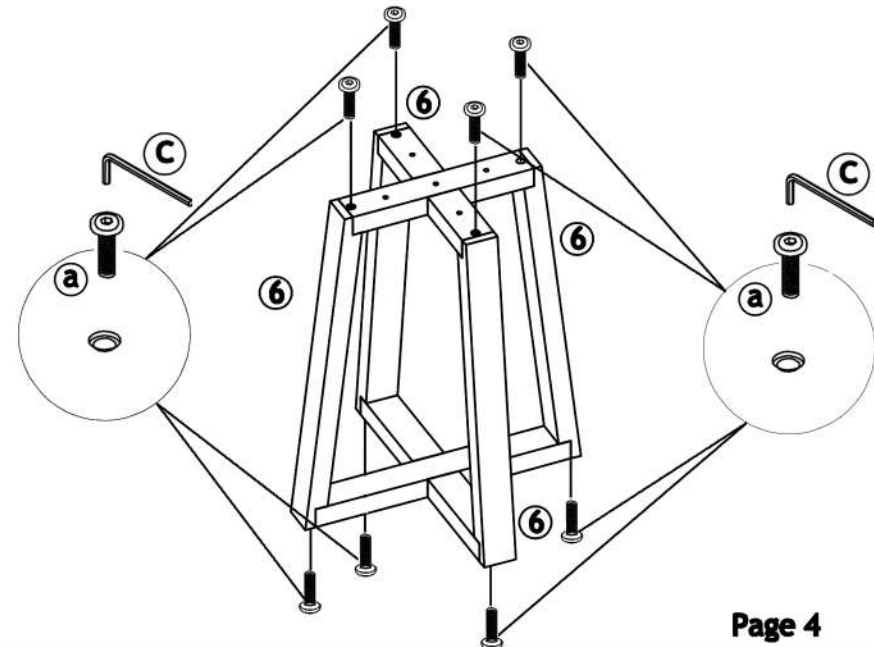
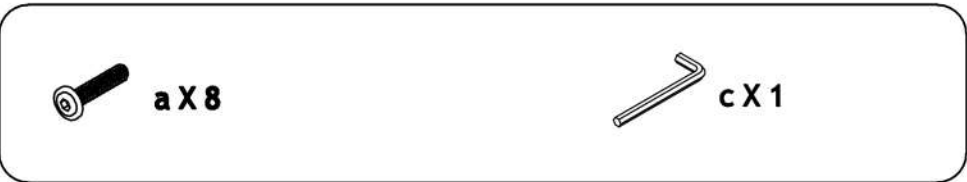
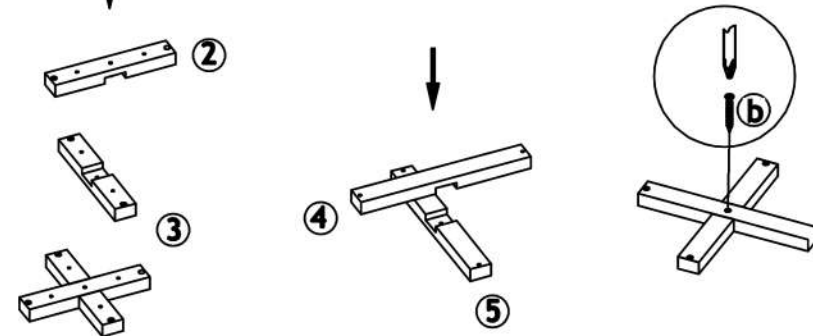
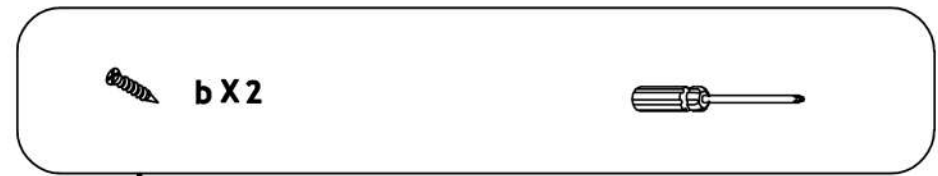
## Parts Checklist

- ① Seat top x 1
- ② Upper top support x 1
- ③ Lower top support x 1
- ④ Upper bottom support x 1
- ⑤ Lower bottom support x 1
- ⑥ Side legs x 4



## Fittings Checklist

- 
**a** Allen Head Bolt x 12
- 
**b** Screw x 2 (4 x 20)
- 
**c** Allen Key x 1
- 
**d** Anti-slip pad x 4





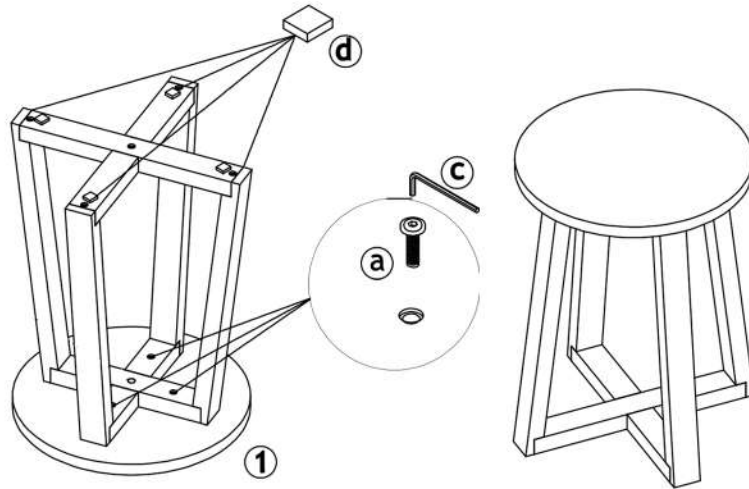
a X 4



d X 4



c X 1



### FINISH

Your stool is made from Rubber wood/Pine

### CARE

To clean your stool, wipe with a damp cloth followed by a dry cloth.

### IMPORTANT

To ensure maximum use from this product, we advise that you check and tighten all bolts and screws on a regular basis to avoid damage and strain to parts.

### GUARANTEE

This instruction leaflet forms part of your guarantee.

Please retain it. The ROPO number along with your invoice number will need to be quoted in all correspondence with Futon Company.

Thank you for choosing to purchase this Futon Company product.