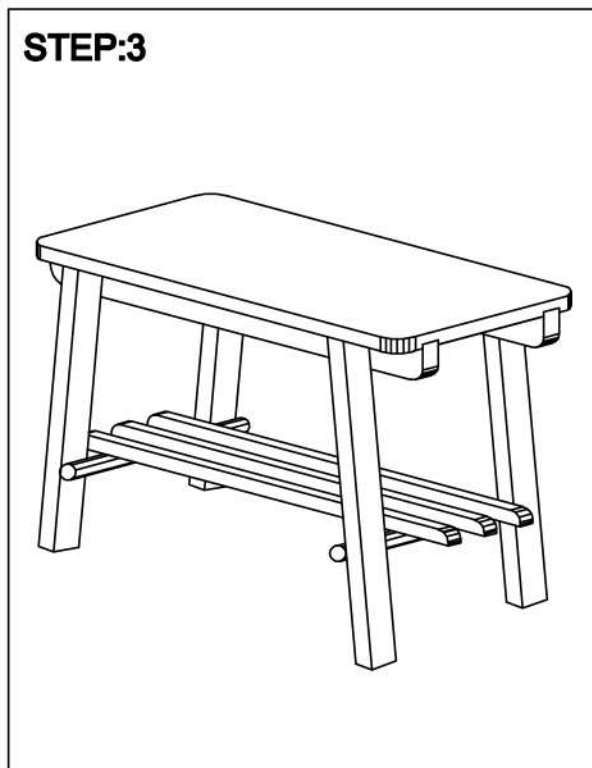
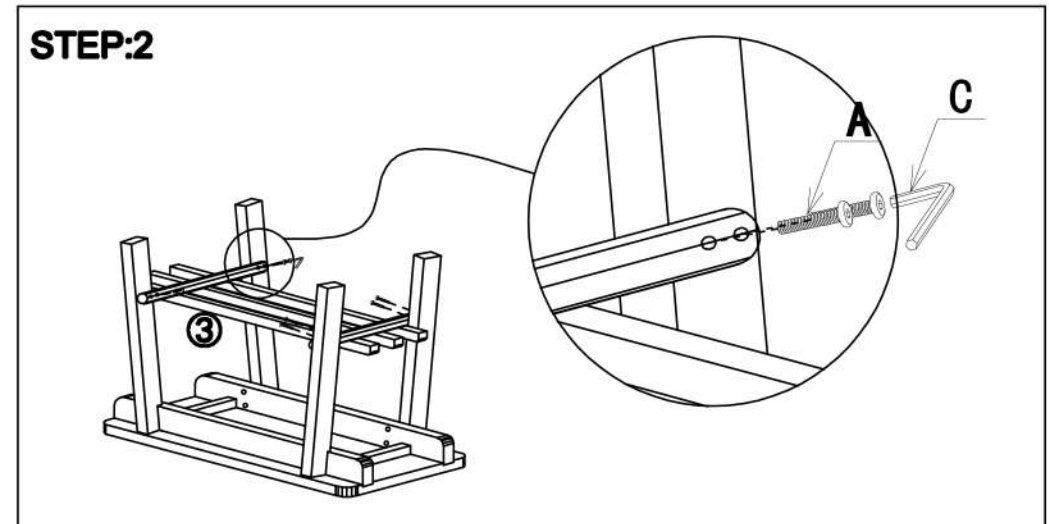
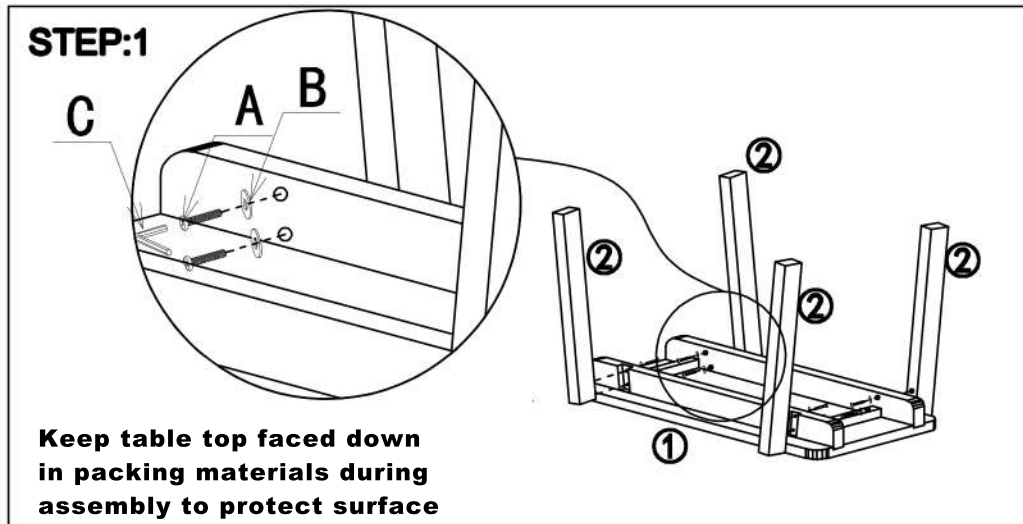


ASSEMBLY INSTRUCTION

FUTON
C O M P A N Y



Attention:

When building the T2 EDO CON, you will be fixing 16 bolts.

As there are so many bolts, it is important to firstly have all the components in place with bolts only **LOOSELY TIGHTENED.**

Then, when you are sure that all the bolts are correctly aligned, you can fully tighten them.

ITEM NAME : EDO CONSOLE
PRODUCT CODE : T2 EDO CON

PARTS LIST		
Top	Leg	Shelf
① 1Pc	② 4Pcs	③ 1Pc

HARDWARE LIST		
16PCS	8PCS	1PC