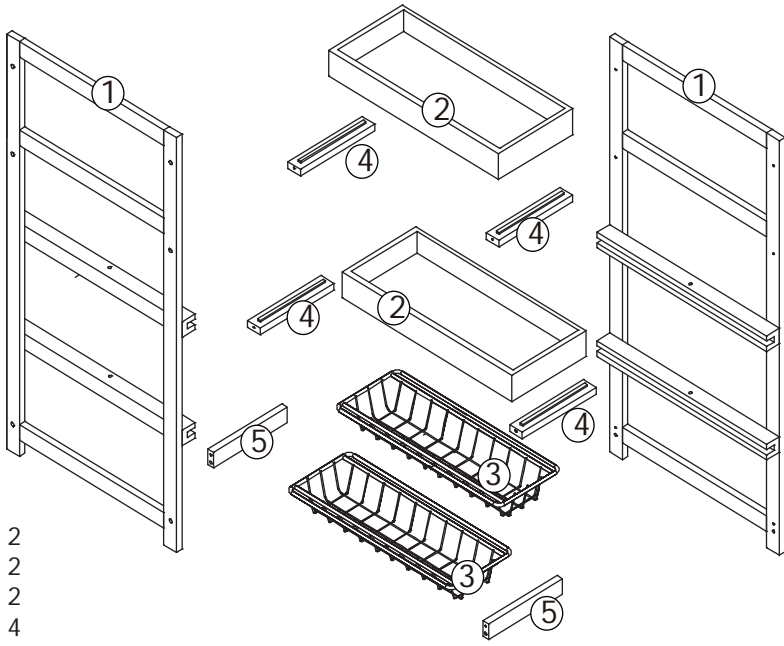


PART CHECKLIST



- Part 1 x 2
- Part 2 x 2
- Part 3 x 2
- Part 4 x 4
- Part 5 x 2

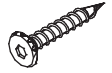
FITTING CHECKLIST

**FUTON**  
C O M P A N Y

ST FLEET  
CLMN WHBB



A X 1pc



B X 12pcs



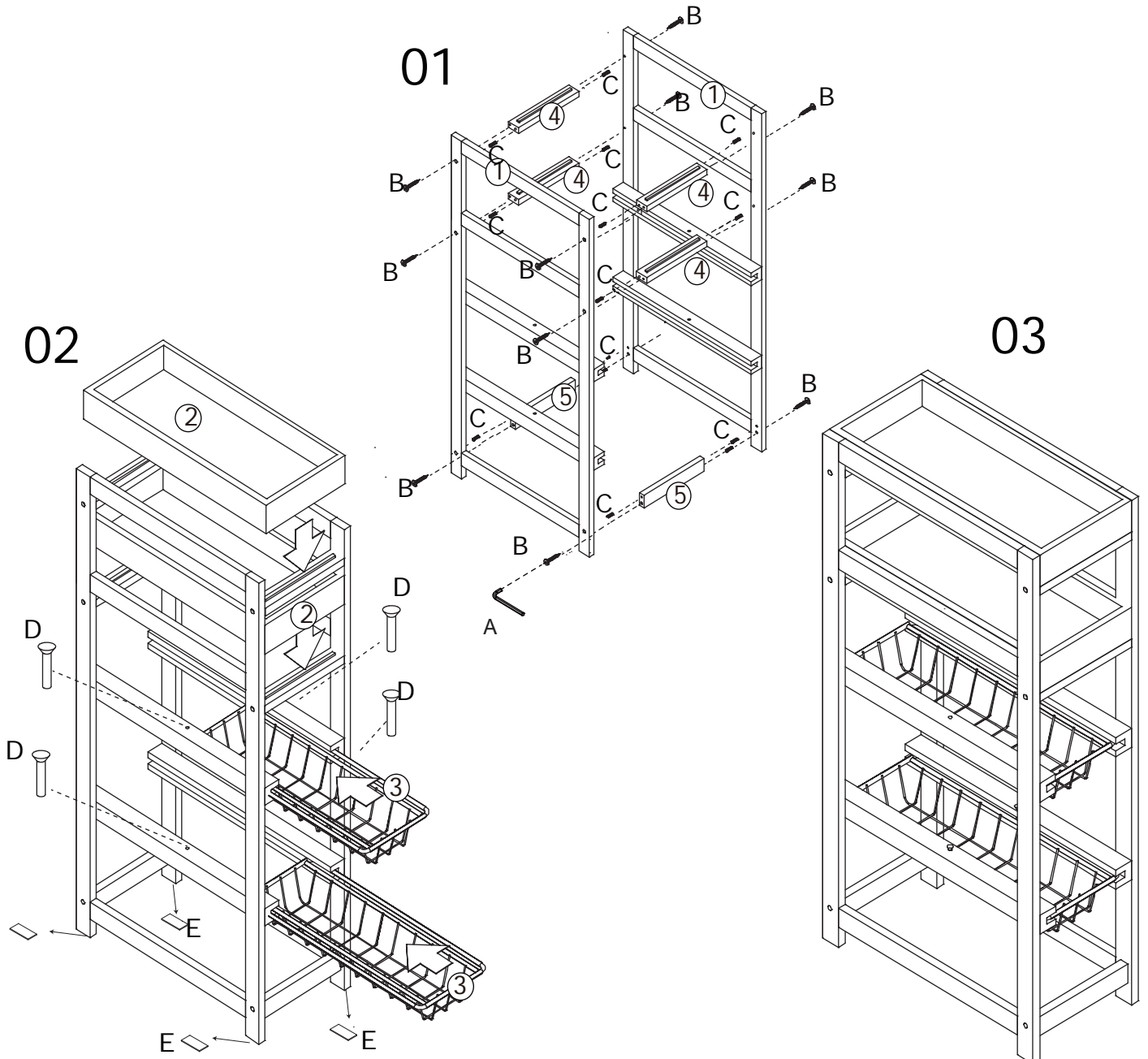
C X 12pcs



D X 4pcs



E 4pcs



Fitting D is to be placed after both parts 3 have been fully slid into place