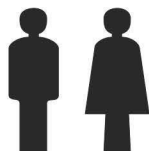
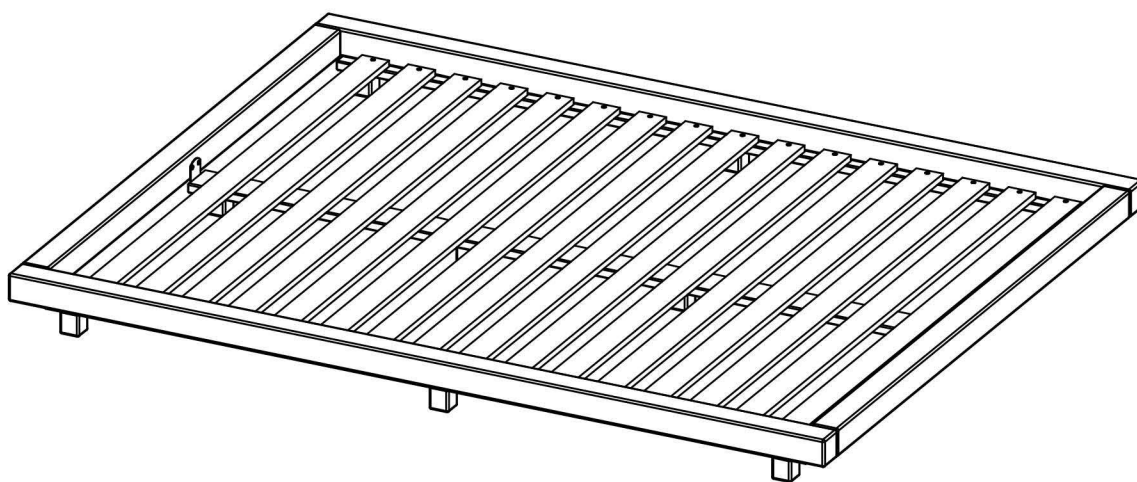
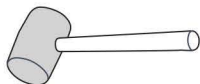


# BD4/5 PLAT ELM

**FUTON**  
C O M P A N Y



TWO PEOPLE  
REQUIRED FOR  
ASSEMBLY

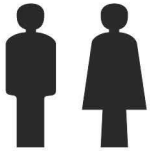


Thank you for purchasing this Futon Company product. Please read the instructions carefully before assembly.

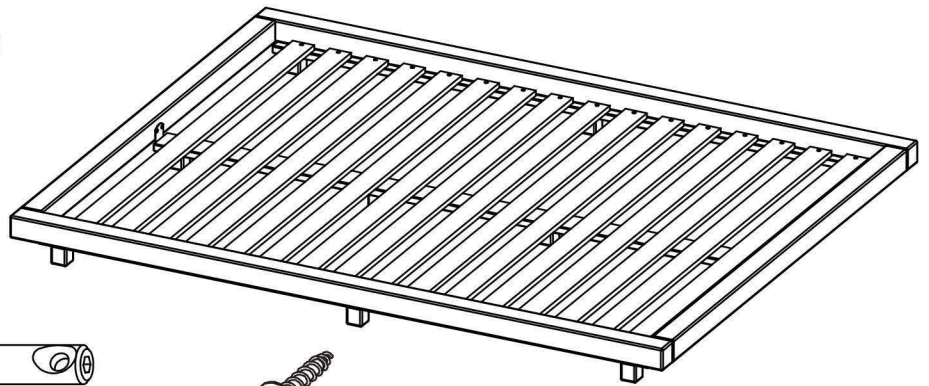
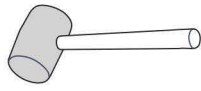
This product takes approximately 60 minutes to assemble with two people.

You will require a cross head screwdriver to assemble this product. An electric drill may cause damage to the product and is not recommended.

Please check the pack contents before starting to assemble this product. A full checklist of components is given in this leaflet. If any components are missing, please contact your nearest Futon Company store and we will arrange despatch of an immediate replacement.

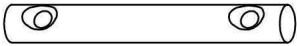


TWO PEOPLE  
REQUIRED FOR  
ASSEMBLY

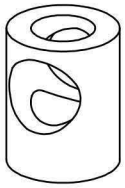


### Fittings Checklist

Ax4



Jx4



Bx12



Cx12



Dx4



Ex8

25 mm long



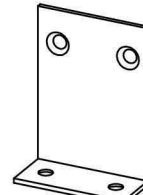
Fx32

35 mm long

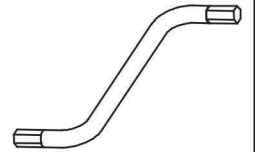


Gx20

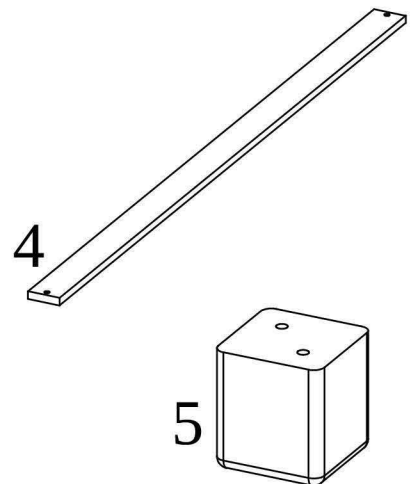
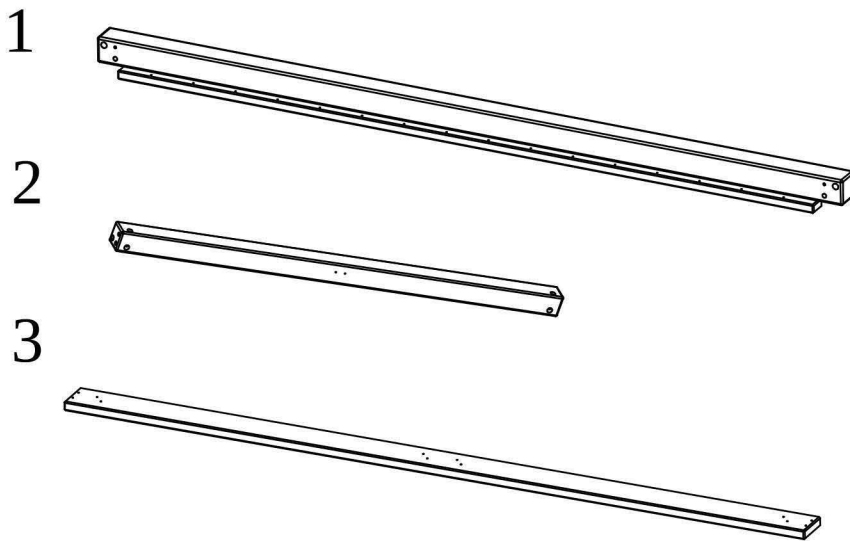
50 mm long



Hx2



Ix1



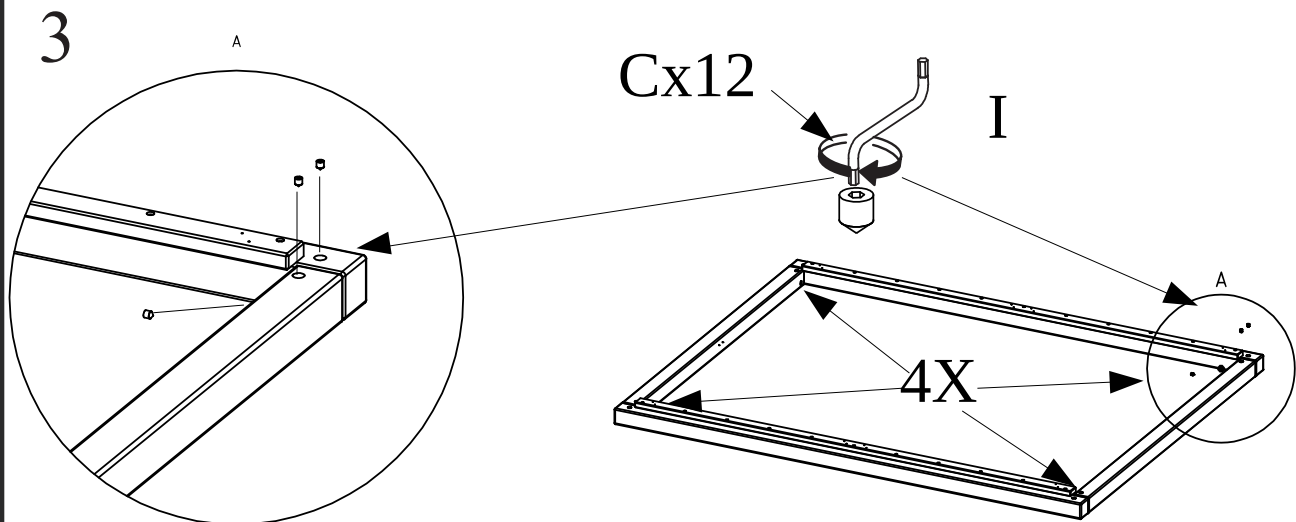
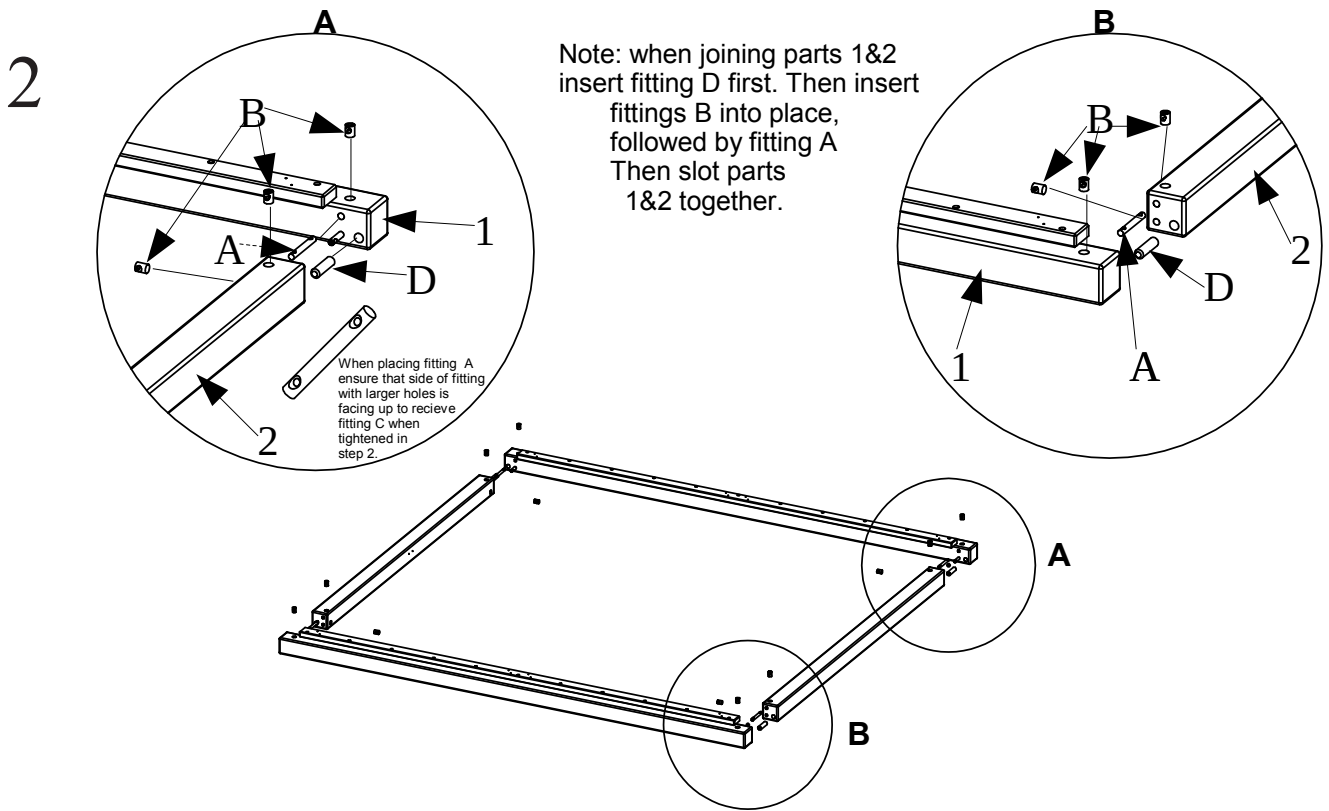
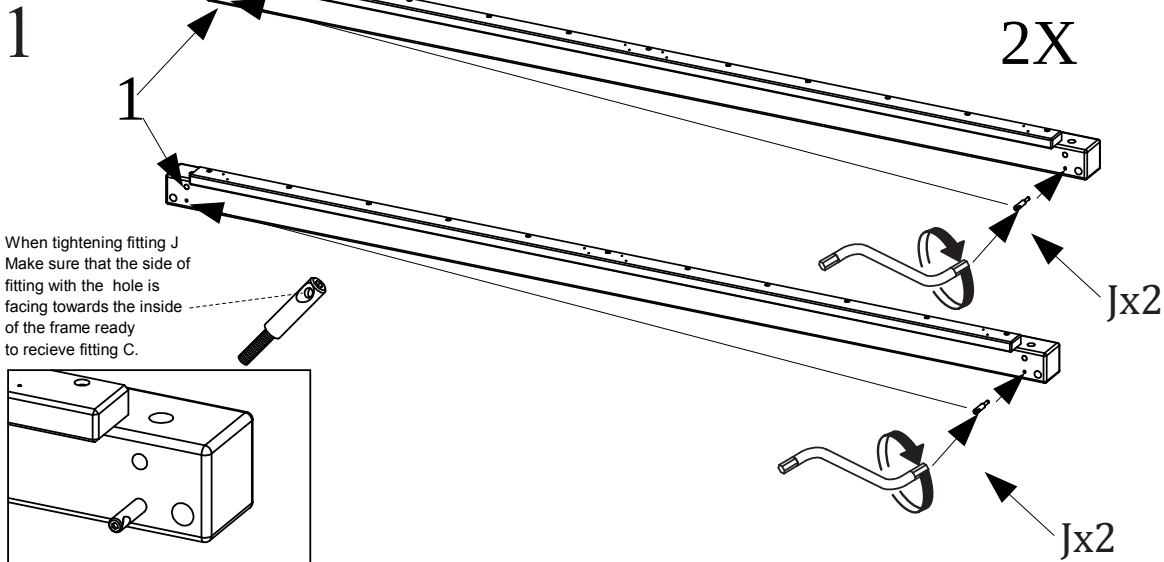
1 – BED SIDERAILS X 2

4 – SLATS X 16

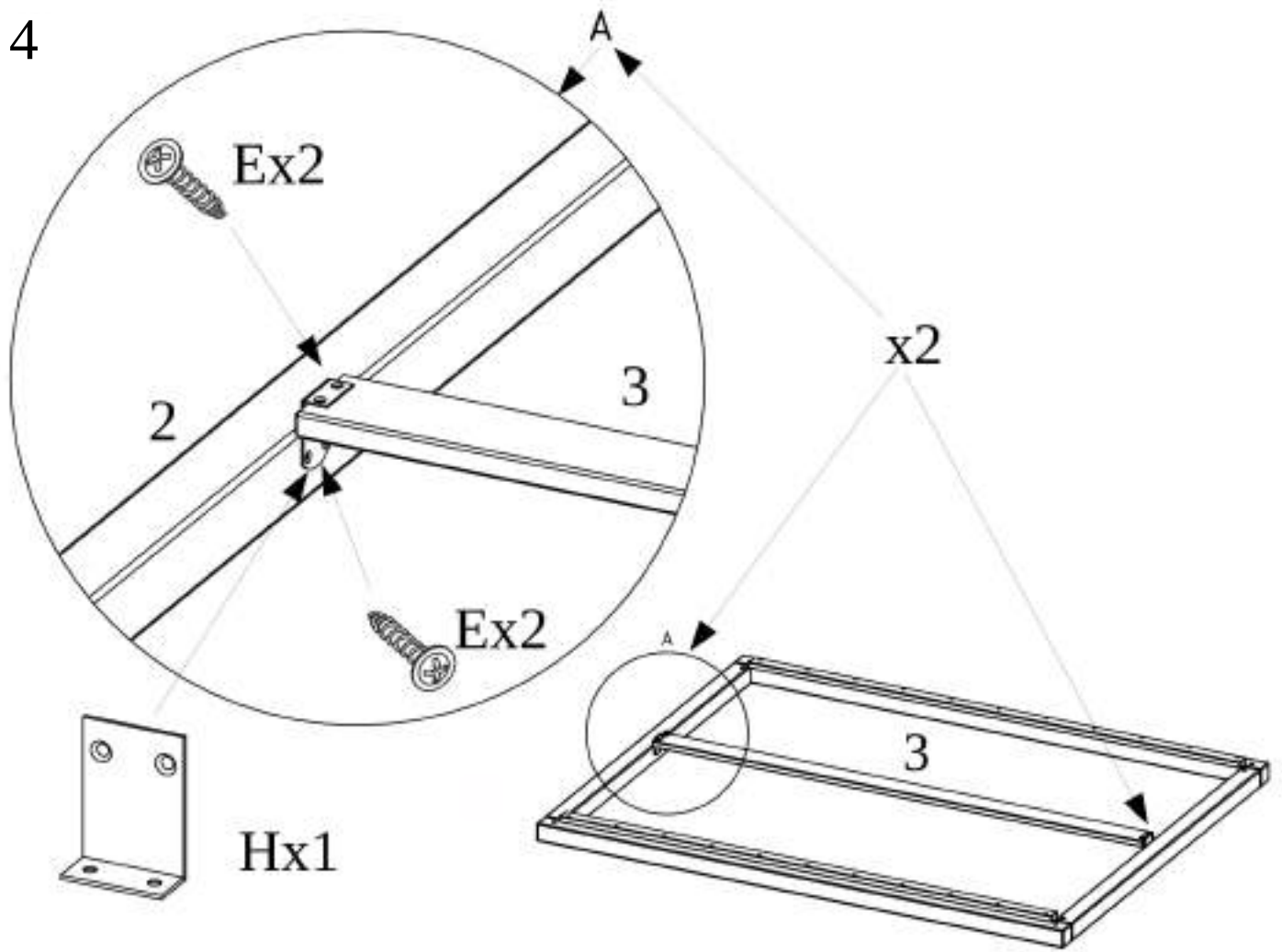
2 – BED SIDECROSS RAILS X 2

5 – FEET X 10

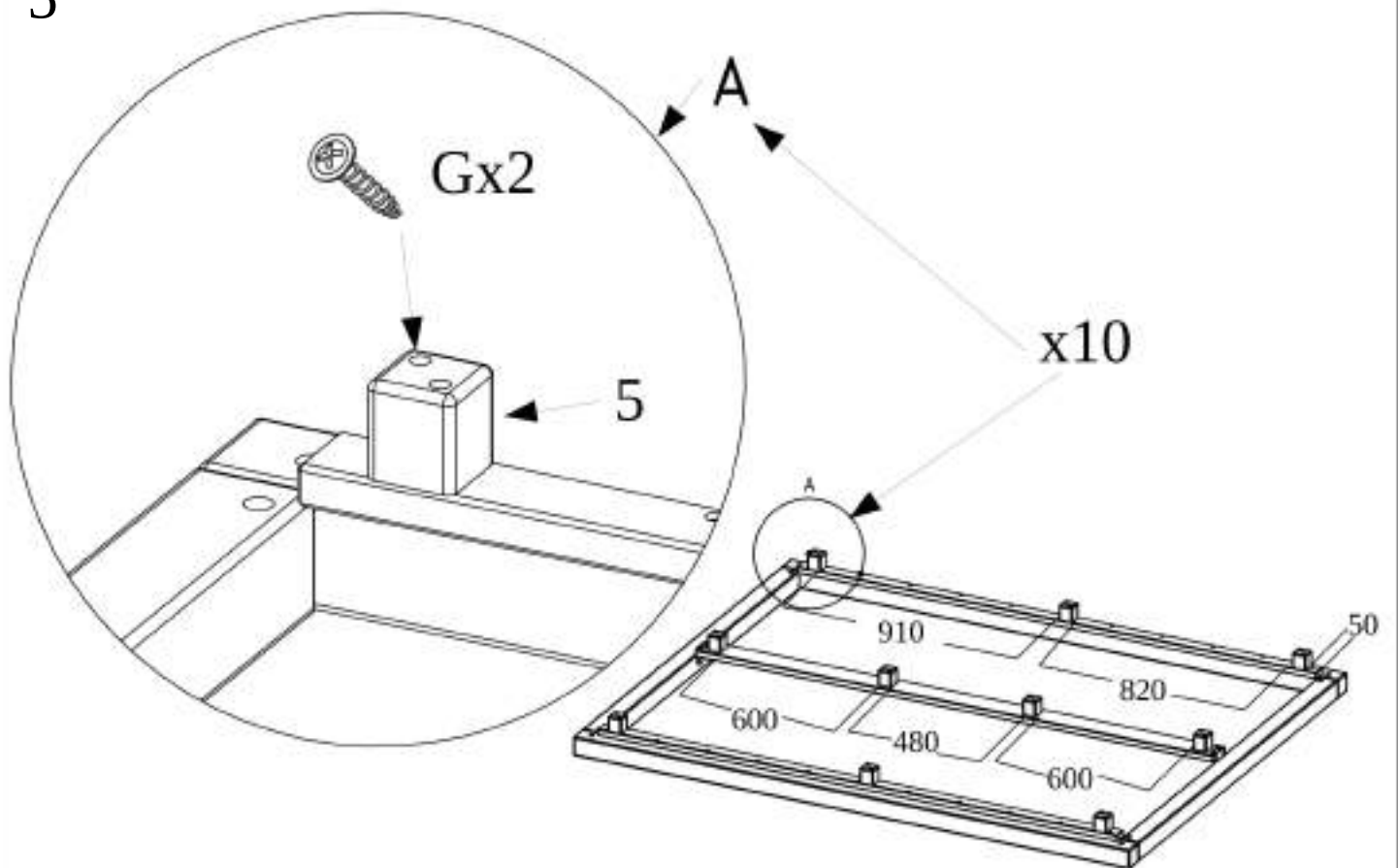
3 – MIDDLE SUPPORT RAIL X 1



4



5



6

