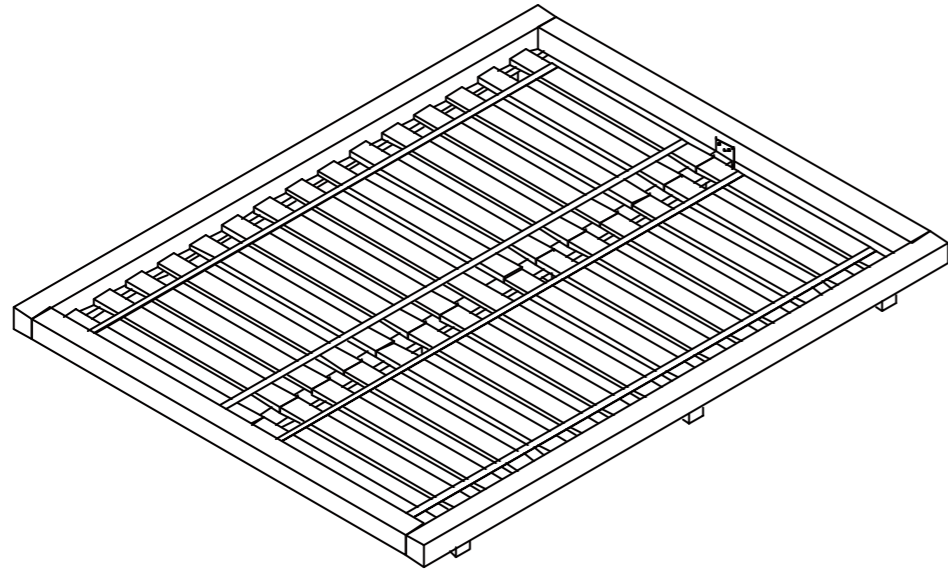


Assembly Instructions



Platform Bed

ROPO no: **5958**



Please read these instructions very carefully before you begin to ensure that your Futon Company product will give you many years of satisfaction.

Thank you for buying a Futon Company product.

We are constantly striving to improve everything we do . But very occasionally mistakes do occur.

In the unlikely event that you find any part missing , please call your nearest Futon Company store and we will arrange, at our cost, for the despatch of an immediate replacement.

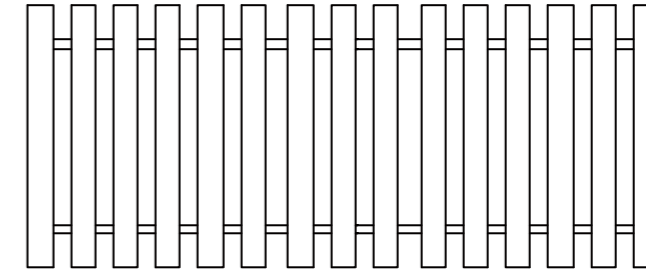
Please keep all packaging until you have checked every part and assembly of your Futon Company product is complete.

version number :1 product code : BD5 Platform Date : 03-08-2010

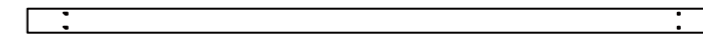


Parts Checklist

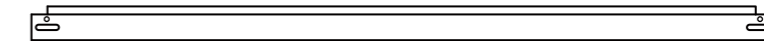
Please count and check every component very carefully before you begin



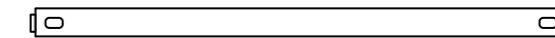
① Slat x 2



② Middle support x 1



③ Long Rail x 2



④ Short Rail x 2











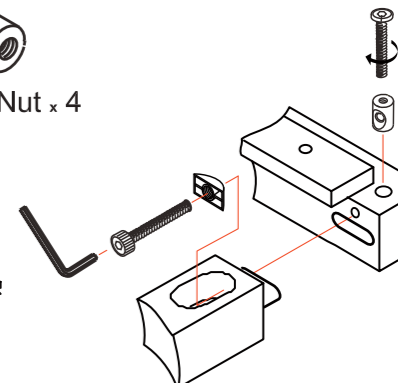


⑤ Leg x 10



Fittings Checklist

Please count and check every component very carefully before you begin

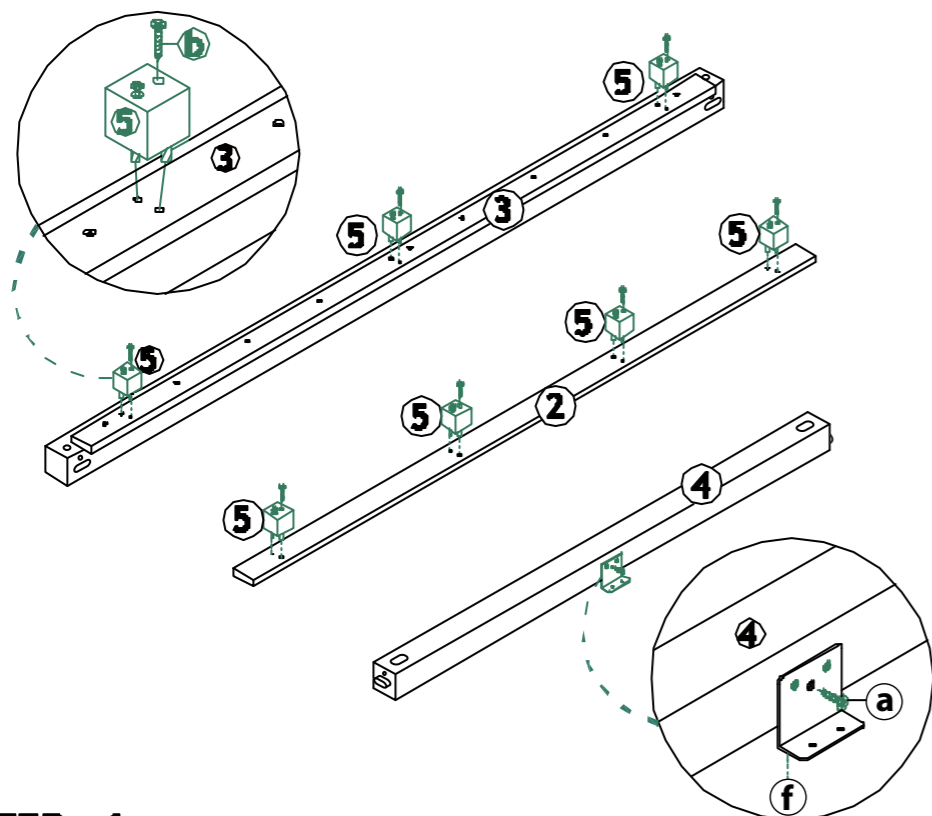
- | | | | |
|---|--|---|---|
| 
a Short Screw x 10 | 
e wooden dowel x 8 | 
g Allen Key x 1 | 
j Bolt x 1 |
| 
b Long Screw x 20 | 
f Shelf support x 2 | 
h Barrel Nut x 4 |  |
| 
c Bolt x 4 | USEFUL HINTS & TIPS | | |
| 
d Curve Washer x 4 | Barrel Nuts
When fitting curve washer ensure that the threaded hole runs parallel with the intersecting hole | | |
- 



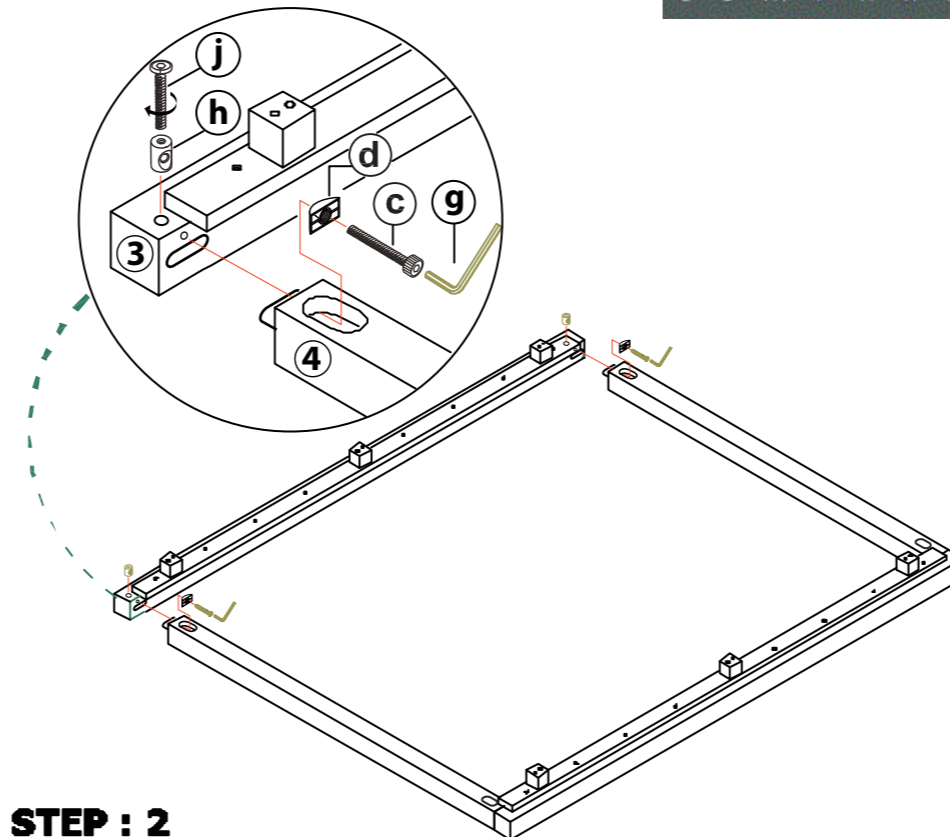
How To Assemble Your Go Bed

Please follow these instructions carefully

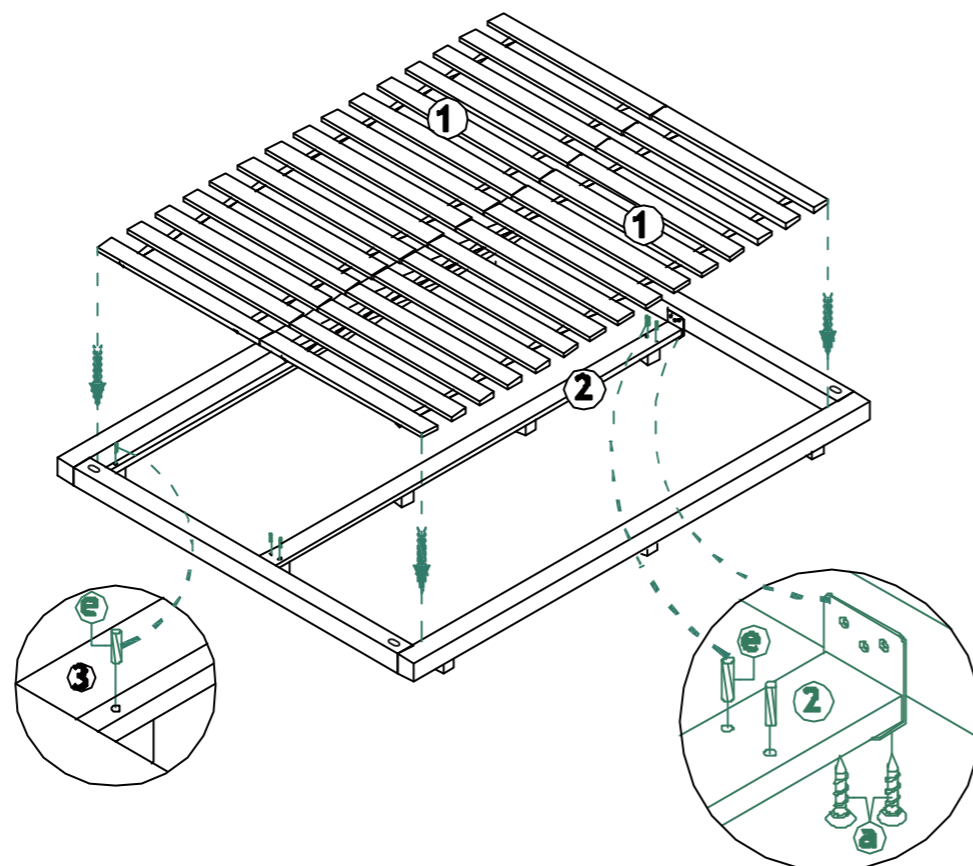
FUTON
C O M P A N Y



STEP : 1



STEP : 2

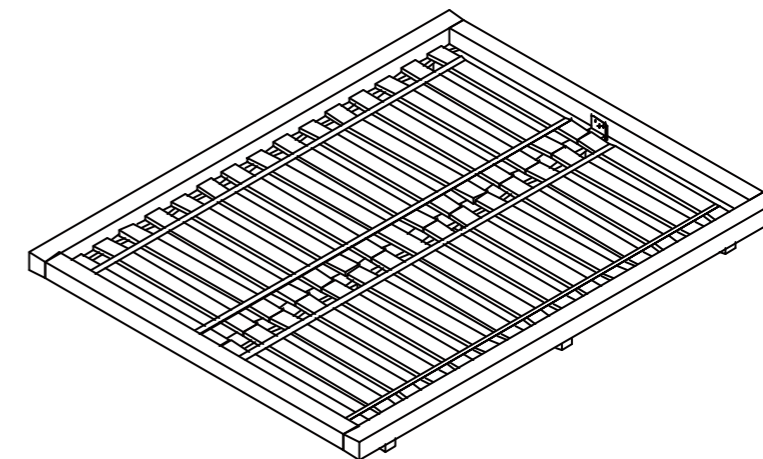


STEP : 3



How To Use

Please read carefully



FINISH

Timber may be selected to ensure that the visible surfaces are of a higher grade than unseen surfaces. These unseen areas are not finished to the same standard as the visible surfaces.

CARE

Wipe with a soft damp cloth. To spot clean your frame rub with fine wire wool along the grain and very lightly re-oil with linseed oil and allow 48 hours to dry.

⚠ IMPORTANT

To ensure maximum performance from this product, we advise that you check and tighten all bolts and screws on a regular basis to avoid damage and strain to parts.

GUARANTEE

This instruction leaflet forms part of your guarantee. Please retain it. The ROPO number along with your invoice number will need to be quoted in all correspondence with Futon Company.

Thank you for choosing Futon Company