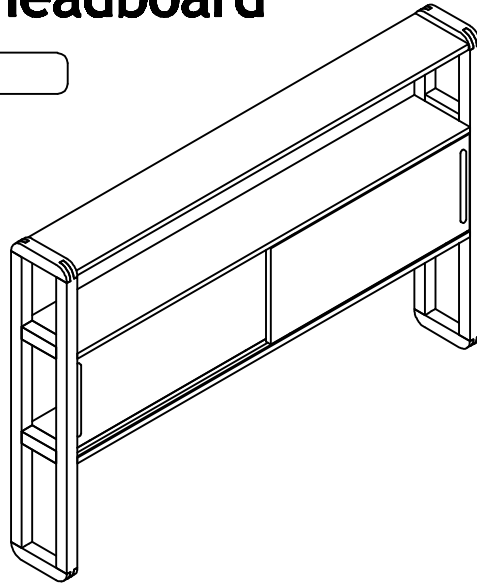


Assembly Instructions

Bedroom Storage - Birch Loop Storage Headboard

ROPO no:



PLEASE READ THESE INSTRUCTIONS VERY CAREFULLY BEFORE YOU BEGIN, TO ENSURE THAT YOUR FUTON COMPANY PRODUCT WILL GIVE YOU MANY YEARS OF SATISFACTION

Thank you for buying a Futon Company product.

We are constantly striving to improve everything we do, but occasionally mistakes do occur. In the unlikely event that you find any part missing, please call your nearest Futon Company store and we will arrange for the despatch of an immediate replacement. Please keep all packaging until you have checked every part and assembly of your Futon Company product is complete.

Version number: 1 Product code: ST HEADBD LOOP Date: 28/02/23

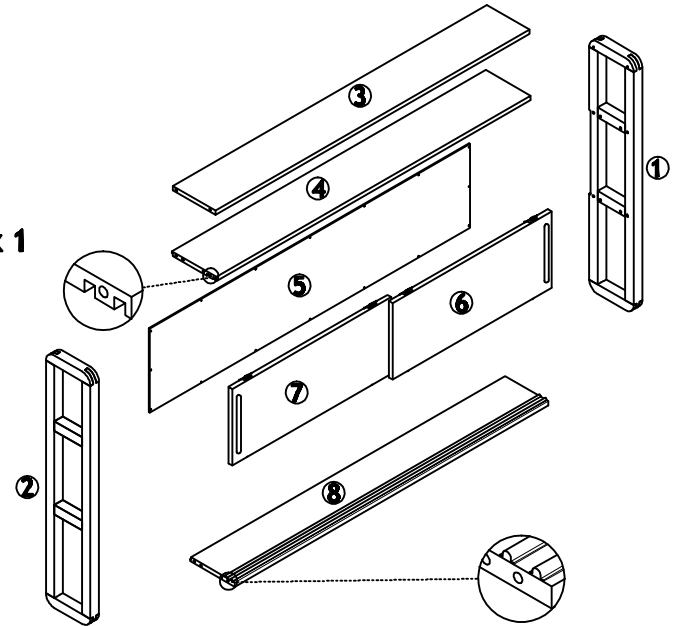
experts in small space living



Parts Checklist

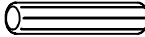



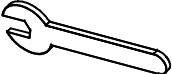
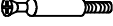


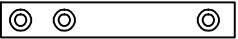

Please count and check every component very carefully before you begin

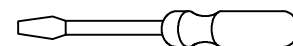
- ① Right Side x 1
- ② Left Side x 1
- ③ Top x 1
- ④ Shelf x 1
- ⑤ Long Back Board x 1
- ⑥ Front Door x 1
- ⑦ Back Door x 1
- ⑧ Bottom x 1



Fittings Checklist

Please count and check every component very carefully before you begin

-  **a** Wooden Dowel x 8
-  **b** Bolt x 8
-  **c** Pressure Plate x 8
-  **d** Nut x 8
-  **e** Small Spanner x 1
-  **f** Cam Bolt x 4
-  **g** Cam x 4
-  **h** Screw x 38
-  **i** Wall Leash x 2
-  **j** small screwdriver x 1

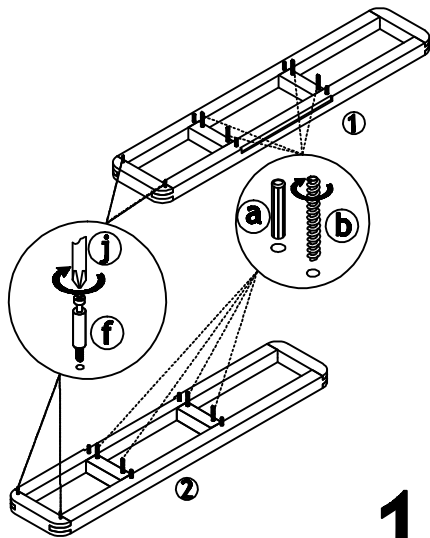


* Cross head and flat head Screwdriver also required for assembly (not included)

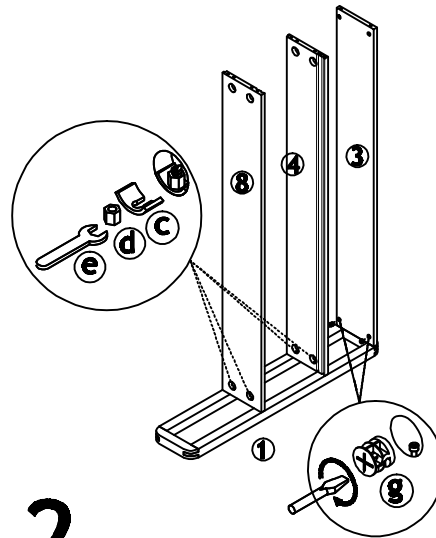


How To Assemble Your Headboard

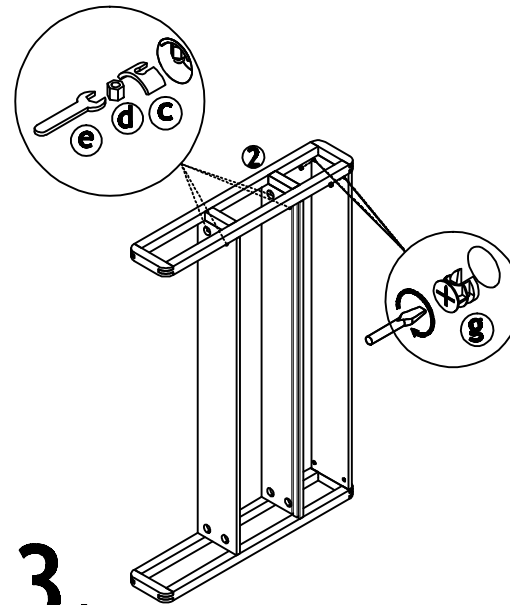
Please follow these instructions carefully



1. 2.



3.



FUTON

C O M P A N Y



How To Use

Please read carefully

FINISH

Timber may be selected to ensure that the visible surfaces are of a higher grade than unseen surfaces. These unseen areas are not finished to the same standard as the visible surfaces.

CARE

To clean your Headboard, wipe with a damp cloth followed by a dry cloth.

IMPORTANT

To ensure maximum performance from this product, we advise that you check and tighten all bolts and screws on a regular basis to avoid damage and strain to parts.

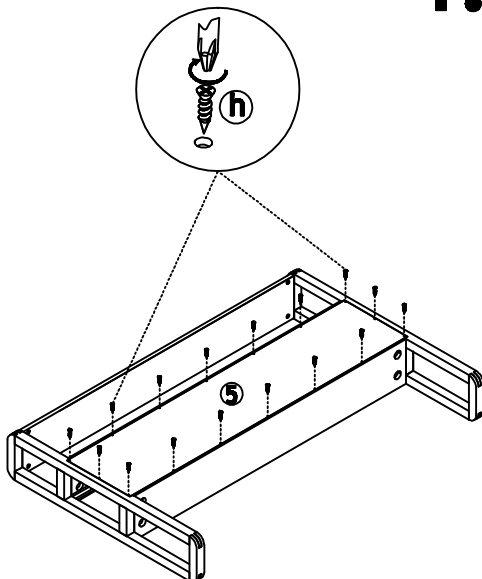
GUARANTEE

This instruction leaflet forms part of your guarantee, please retain it.

The ROPO number along with your invoice number will need to be quoted in all correspondence with Futon Company.

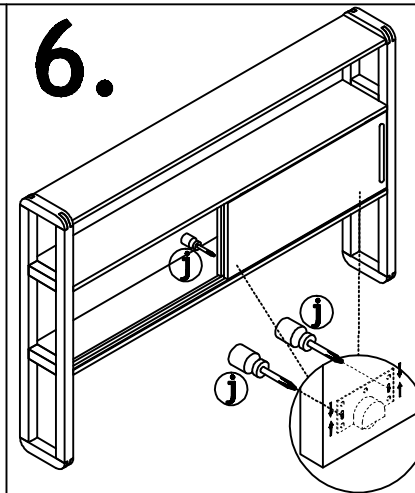
Thank you for choosing Futon Company.

4. 5.



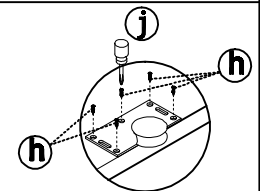
Slide down button (as shown) when placing door onto part 4. Then once door is in place, slide back up to ensure the rod of slider is in groove of part 4.

6.

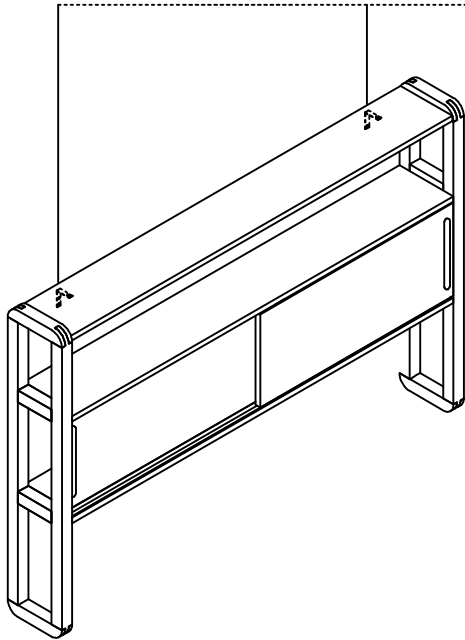


1 If required, door panels 6 & 7 can be adjusted up or down using the middle screws.

2 Once adjusted, fix rest of screws (fitting H) into doors.



IMPORTANT! a wall leash must be used with this product



- 1. Before moving the unit into place establish the correct height to attach the 'wall leash' to the wall.**
- 2. Attach the two hole end of the leash to the wall with hardware suitable for your wall.**
Screw fixings to attach the leash to the wall are not included as different wall materials require different types of fixing. Contact your local specialised hardware store for advice on suitable fixing.
- 3. Move headboard into place and attach the one hole end of the leash, with the supplied wood screw, to the underside rear of shelf part 3.**

