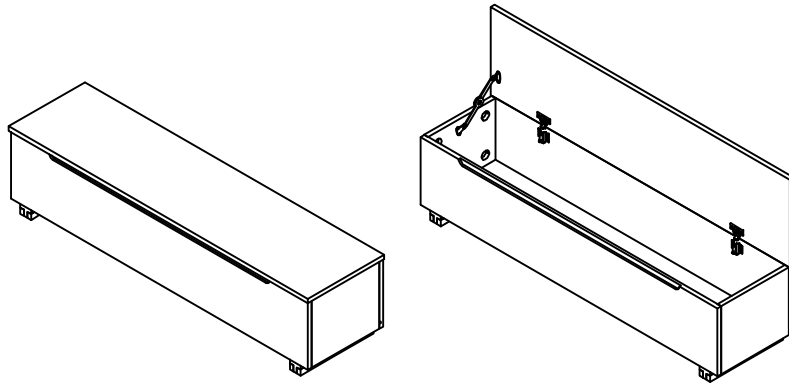


Assembly Instructions

Bedroom - Pine Mirage Storage Bench

ROPO no:

FUTON
C O M P A N Y



PLEASE READ THESE INSTRUCTIONS VERY CAREFULLY BEFORE YOU BEGIN, TO ENSURE THAT YOUR FUTON COMPANY PRODUCT WILL GIVE YOU MANY YEARS OF SATISFACTION

Thank you for buying a Futon Company product.

We are constantly striving to improve everything we do, but occasionally mistakes do occur. In the unlikely event that you find any part missing, please call your nearest Futon Company store and we will arrange for the despatch of an immediate replacement. Please keep all packaging until you have checked every part and assembly of your Futon Company product is complete.

Version number: 1 Product code: ST BENCH MIRAGE Date: 14/09/23

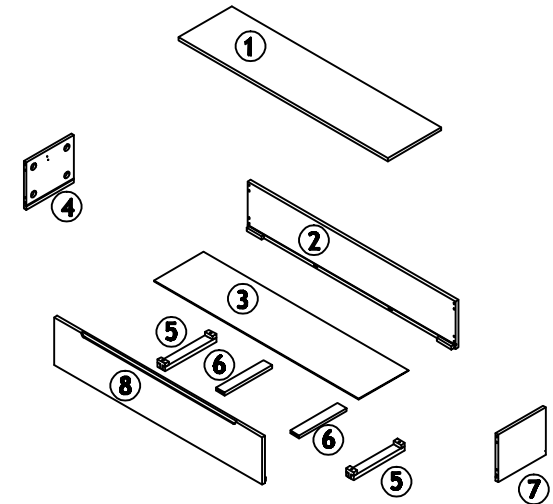
experts in small space living



Parts Checklist


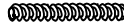



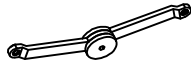









Please count and check every component very carefully before you begin

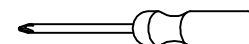
- ① Top x 1
- ② Back x 1
- ③ Bottom x 1
- ④ Left Side x 1
- ⑤ Leg x 2
- ⑥ Bottom Rail x 2
- ⑦ Right Side x 1
- ⑧ Front x 1



Fittings Checklist

Please count and check every component very carefully before you begin

-  **a** Dowel x 16
-  **b** Bolt x 12
-  **c** Pressure Plate x 12
-  **d** Nut x 12
-  **e** Small Spanner x 1
-  **f** Side Door Hinge x 1
-  **g** Door Hinge Plate x 1
-  **h** Door Hinge Bracket x 1
-  **i** Allen Key x 1
-  **j** Door hinge Screw x 2
-  **k** 4x14mm Screw x 4
-  **l** Washer x 4
-  **m** Allen Head Bolt x 4
-  **n** 4x16mm Screw x 12
-  **o** Hinge x 2



* Cross head Screwdriver also required for assembly

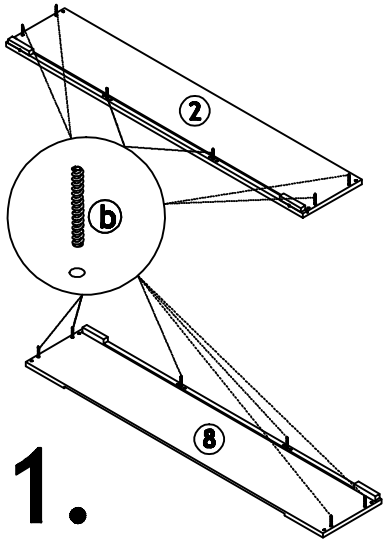


How To Assemble Your Bench

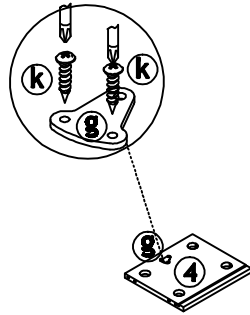
Please follow these instructions carefully

FUTON

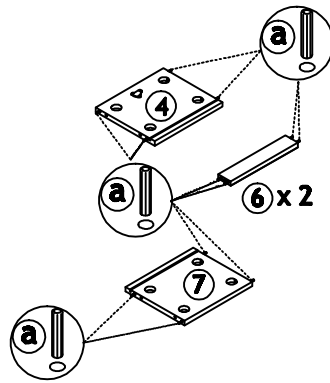
C O M P A N Y



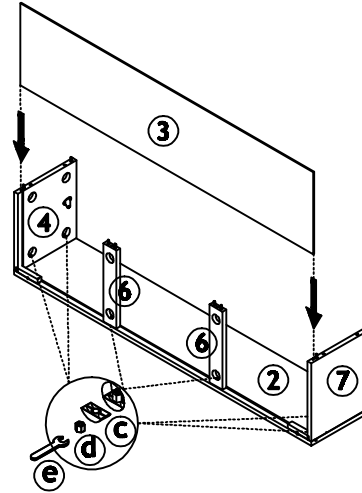
1.



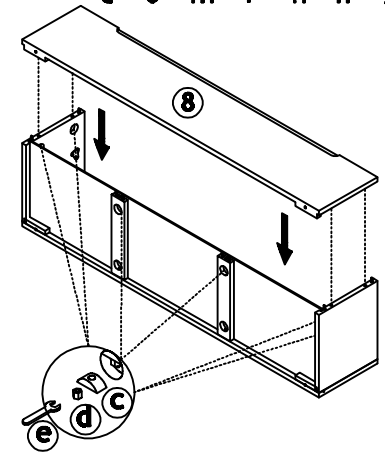
2.



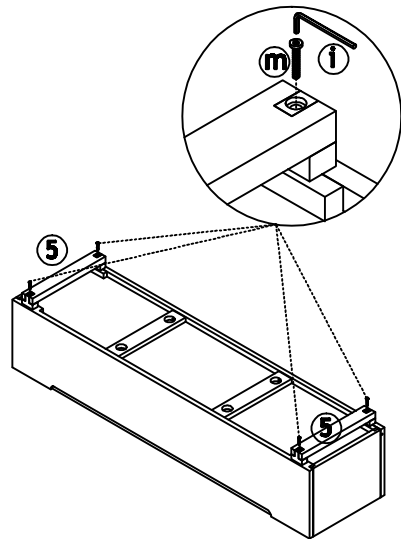
3.



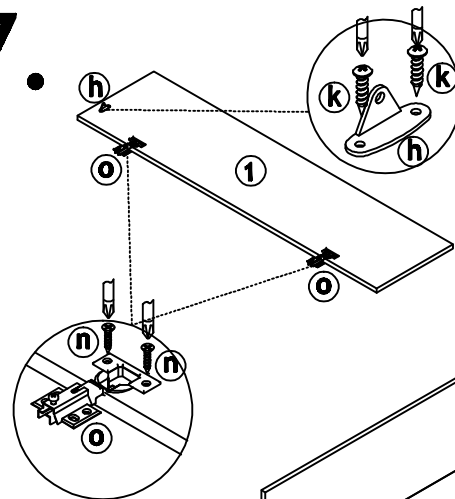
4.



5.

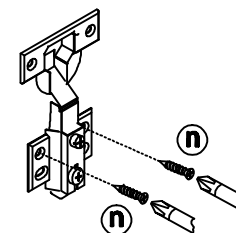
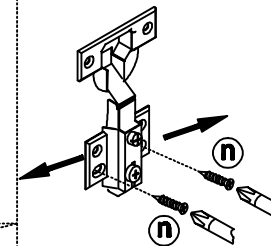


6.

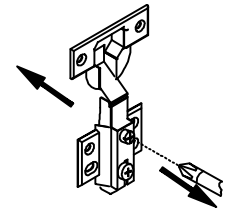


7.

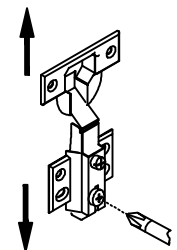
Fix these screws first when attaching doors to Wardrobe unit.



The door can be adjusted front or back by this screw.



The door can be adjusted up or down by this screw.





How To Use

Please read carefully

FINISH

Timber may be selected to ensure that the visible surfaces are of a higher grade than unseen surfaces. These unseen areas are not finished to the same standard as the visible surfaces.

CARE

To clean your Bench, wipe with a damp cloth followed by a dry cloth.

IMPORTANT

To ensure maximum performance from this product, we advise that you check and tighten all bolts and screws on a regular basis to avoid damage and strain to parts.

GUARANTEE

This instruction leaflet forms part of your guarantee. Please retain it. The ROPO number along with your invoice number will need to be quoted in all correspondence with Futon Company.

Thank you for choosing Futon Company.

8.

