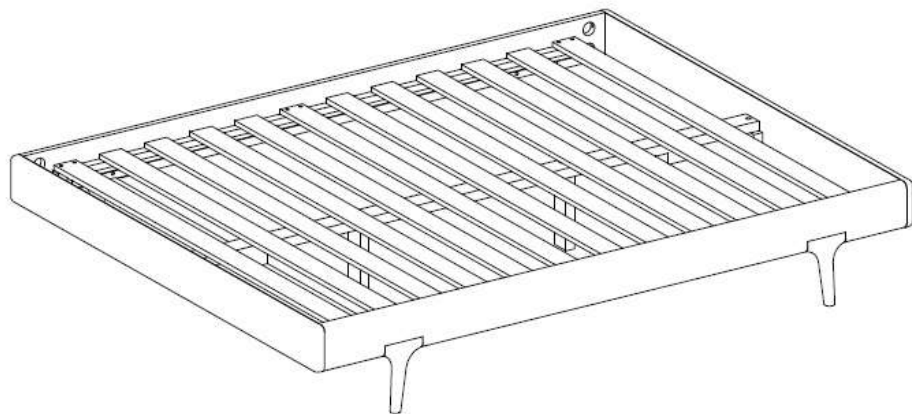


Assembly Instructions



Malmo Bed



Please read these instructions very carefully before you begin to ensure that your Futon Company Malmo Bed will give you many years of satisfaction.

Thank you for buying a Futon Company product.

We are constantly striving to improve everything we do, but occasionally mistakes do occur. In the unlikely event that you find any part missing, please call your nearest Futon Company store and we will arrange for the despatch of an immediate replacement. Please keep all packaging until you have checked every part and assembly of your Futon Company product is complete.

Version: 1

Product Code: BD5 MALMO

PO 11448

experts in small space living



Part Checklist

Please count and check every component very carefully before you begin



1. Slat x 1



2. Rail (Long) x 2



3. Rail (Short) x 2



4. Bottom Rail x 2



5. Centre Rail x 1



6. Feet (Left) x 2



7. Feet (Right) x 2



8. Feet (Centre) x 2



Fittings Checklist

Please count and check every component very carefully before you begin



A. Dowel x 14



B. Allen Key x 1



C. Spanner x 1



D. Thread x 8



E. Half Moon Cap x 8



F. Flat Washer M8 x 8



G. Spring Washer M8 x 8



H. Hexagon Nut x 8



I. Metal Bracket x 4



J. Bolt x 40



K. Bolt x 6



L. Flat Washer M6 x 40



M. Spring Washer M6 x 40



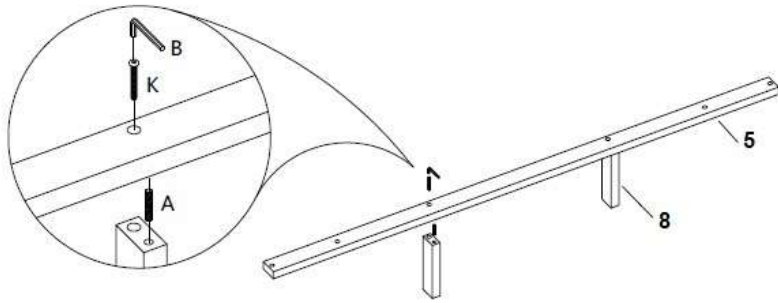
N. Screw x 12



How to assemble Malmo Bed

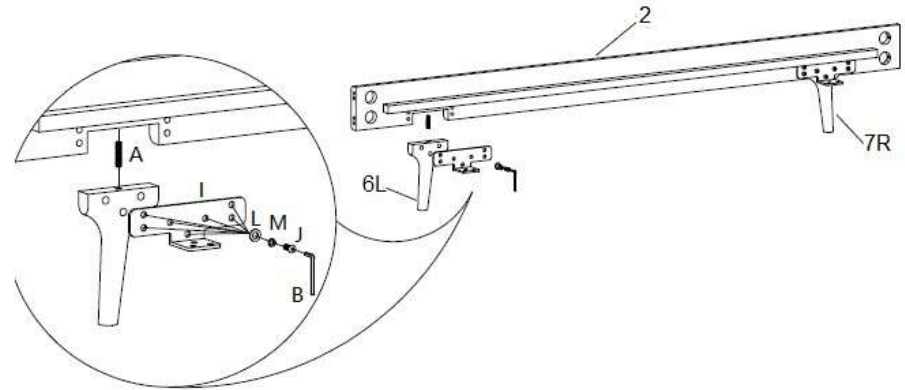
Please follow these instructions carefully

Step 1



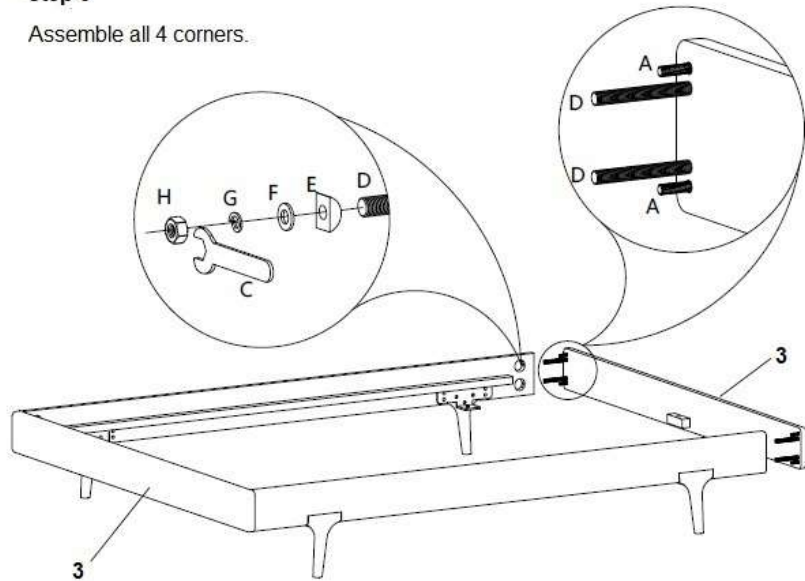
Step 2

Check the label on parts before assembly, to ensure feet (6L/ 7R) fitted correctly to the rails. Repeat the same for another rail.



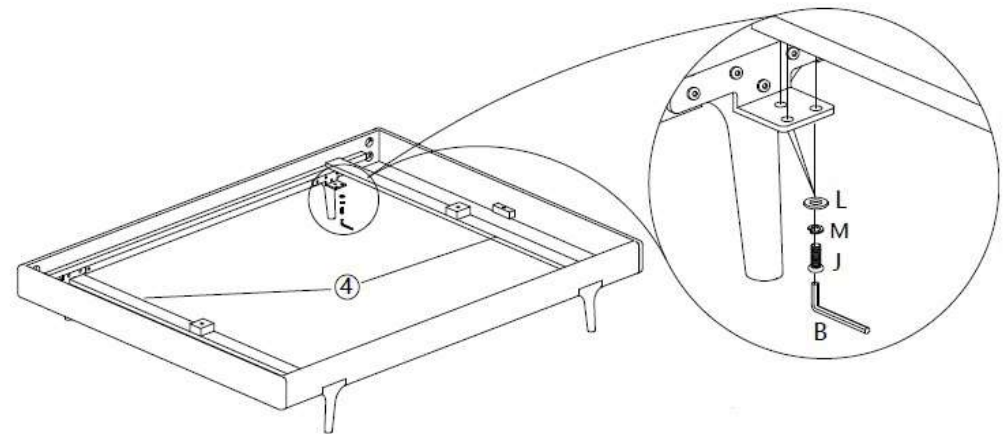
Step 3

Assemble all 4 corners.



Step 4

Assemble Bottom Rails onto metal bracket (I).



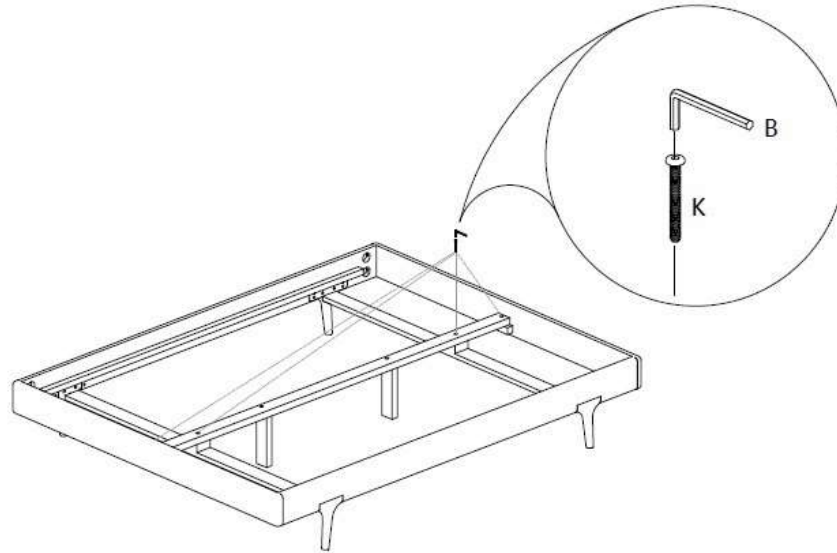


How to assemble Malmo Bed

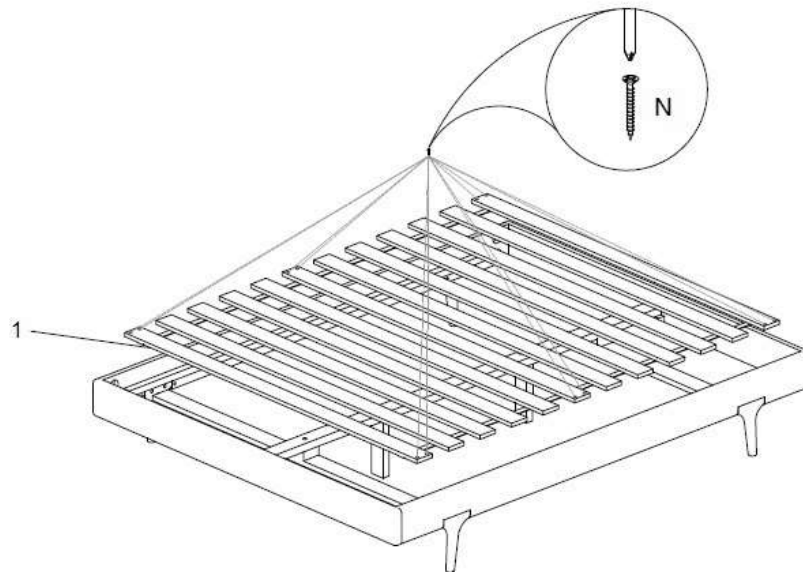
Please follow these instructions carefully

FUTON
C O M P A N Y

Step 5



Step 6



FINISH

Timber may be selected to ensure that the visible surfaces are of a higher grade than unseen surfaces. These unseen areas are not finished to the same standard as visible surfaces.

IMPORTANT

To ensure maximum performance from this product, we advise that you check and tighten all bolts and screws on a regular basis to avoid damage and strain to parts. Improper use, improper assembly and mishandling may lead to product damage.

DO NOT STAND ON THIS BED

GUARANTEE

This instruction leaflet forms part of your guarantee, please retain it. The PO number along with your invoice number will need to be quoted in all correspondence with Futon Company.

Thank you for choosing Futon Company.

