

# ASSEMBLY INSTRUCTION

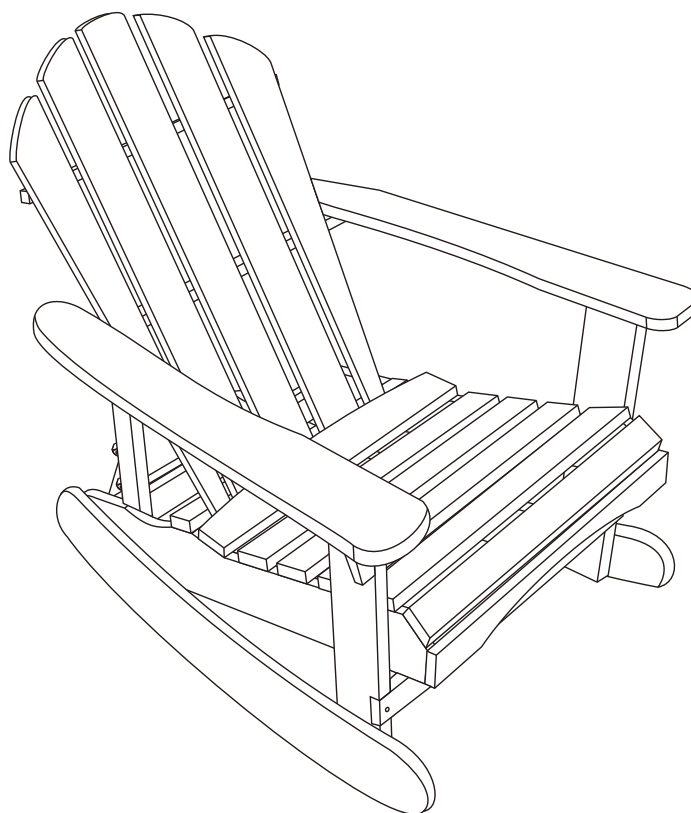
Please read this before beginning assembly and follow instructions carefully

## Important Safety Instructions:

- Please read this instruction carefully prior to assembly.
- Please ensure all parts and hardware are available in the package prior to assembly.
- Use the parts and hardware lists to identify each component included.
- Save all packaging material until the completion to avoid any accidental discarding of smaller parts or hardware.
- Care should be taken to avoid tipping while seated.
- This chair is designed for use on level ground only. Do not use on unlevel ground.
- This chair is a rocking style. When chair is in rocking motion ensure areas in front and behind are clear of pets, children and adults to avoid accidental trapping.

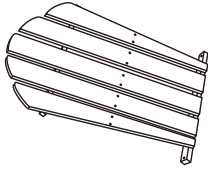



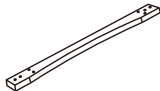





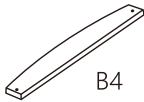

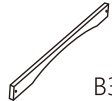
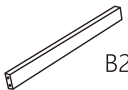

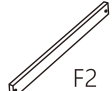
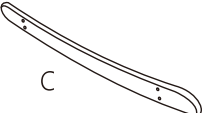
## Assembly tips:

- Please align pre drilled holes accurately during installation.
- Please insert screws in the right angle.
- This product can be damaged if parts are not correctly assembled.
- Screw position +/- 3mm is an acceptable range because wood is flexible.


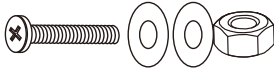

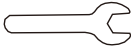



THANK YOU FOR PURCHASING

# PARTS LIST

BACKREST	1PC	
FRONT LEG	2PCS	F1R  F1L 
BACKREST SUPPORT FRAME	2PCS	B 
MIDDLE BACKREST CROSS BEAM	1PC	C2 
ARMREST	2PCS	A1R  A1L 
ARMREST SUPPORT	2PCS	A 
BASE LEGS	2PCS	B1R  B1L 
BASE BOTTOM SUPPORT	1PC	B4 
SEAT SLATS	5PC	B5 
FRONT SEAT SLAT	1PC	B3 
BACK LEGS CROSS BEAM	1PC	B2 
ARMREST CONNECTION	2PCS	D 
FRONT LEG CROSS BEAM	1PC	F2 
RUNNER	2PCS	C 










# HARDWARE LIST

(a)		SCREW 3.5x35mm	40pcs+3 extra
(b)		BOLT 6x45mm	16pcs+1 extra
(c)		BOLT 6x55mm	2pcs+1 extra
(d)		WRENCH	1pc
(e)		SCREW 3.5x25mm	10pcs

## TOOLS REQUIRED (not included):

- > Drill with Cross Head Bit or Philips screwdriver
- > Adjustable Wrench

## Care & Maintenance

-  ● Do not put hot items directly on furniture surface.
-  ● Do not clean furniture with harsh cleansers or polish.
- ✓  ● To obtain the longest lifespan of your outdoor products, minimizing exposure to direct sunlight is recommended.
-  ● Children should not climb or jump on the furniture.
-  ● Do not write on furniture without a padded barrier to protect the surface.
- ✓  ● To obtain the longest lifespan of your outdoor products, avoid extended and lengthy exposure to rain, snow, and direct sunshine. Whenever possible cover the product and /or place under patio or awnings.
-  ● Not for commercial use. For residential use only.
-  ● Stains may be removed with mild soap solution and damp cloth.
- ✓  ● Dust and pick-up spills using a clean, non-colored, lint-free cloth.



FULL SUN



PARTIAL SUN



SHADE

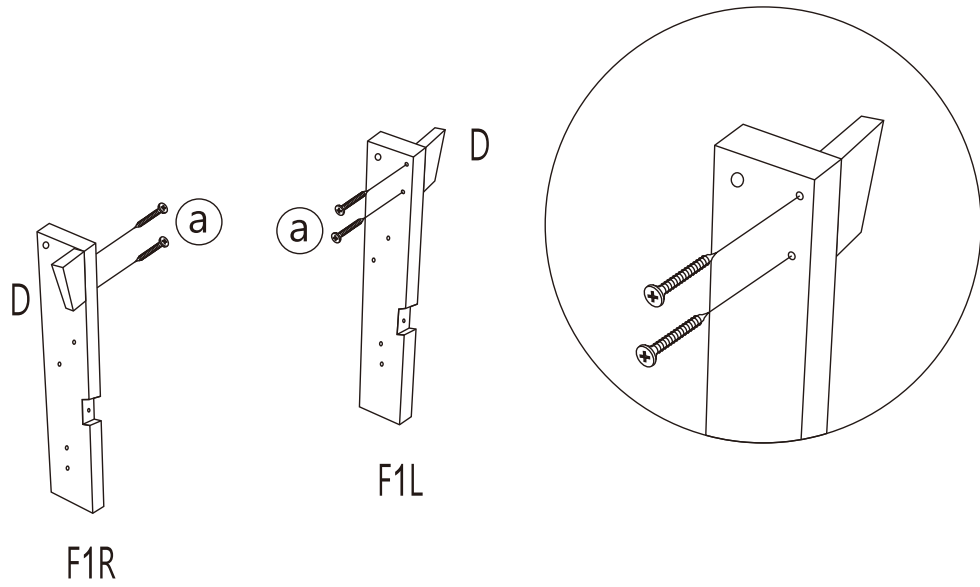


The Adirodack Chair is made with natural material - Pine Wood.

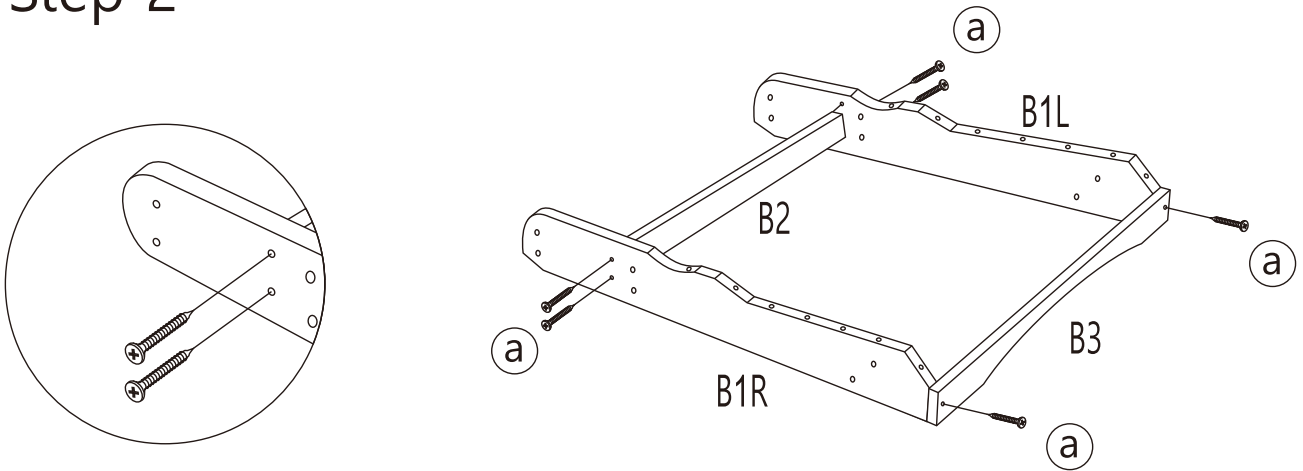
**Recommendation:** Place the chair under the shade or partial sun area.

Do not expose the chair to the sun to maintain the color and life span of the natural wood material.

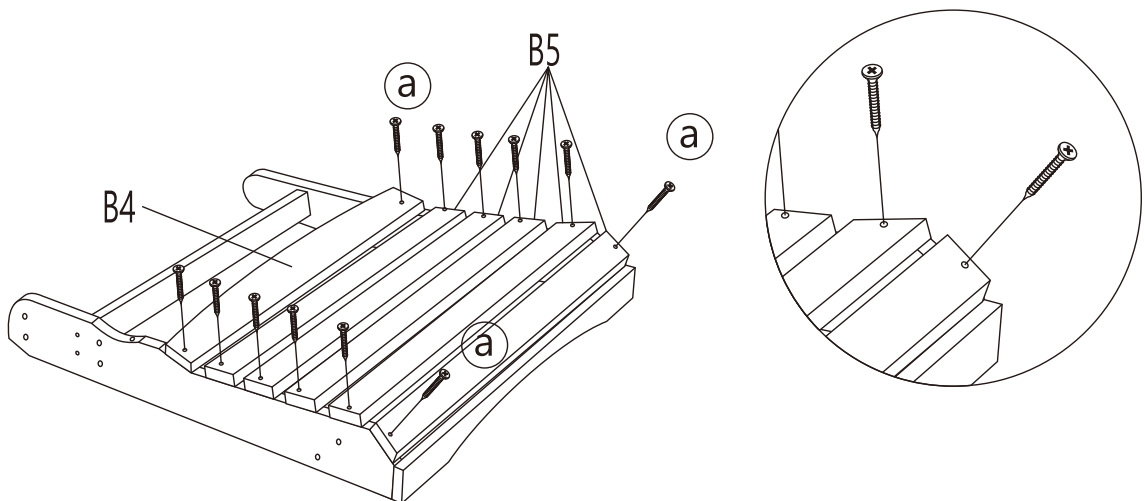
# Step 1



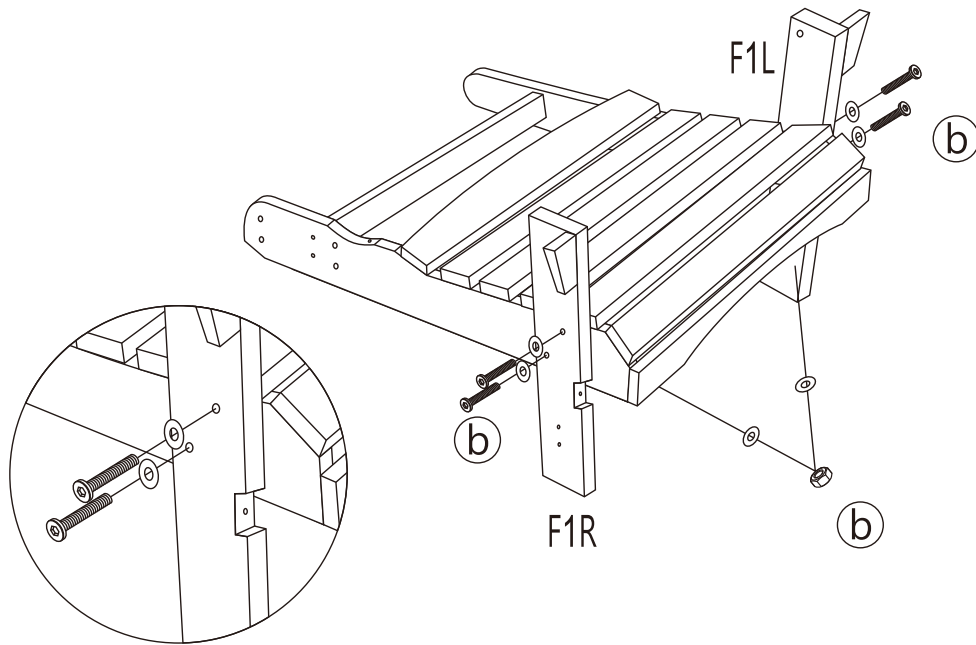
# Step 2



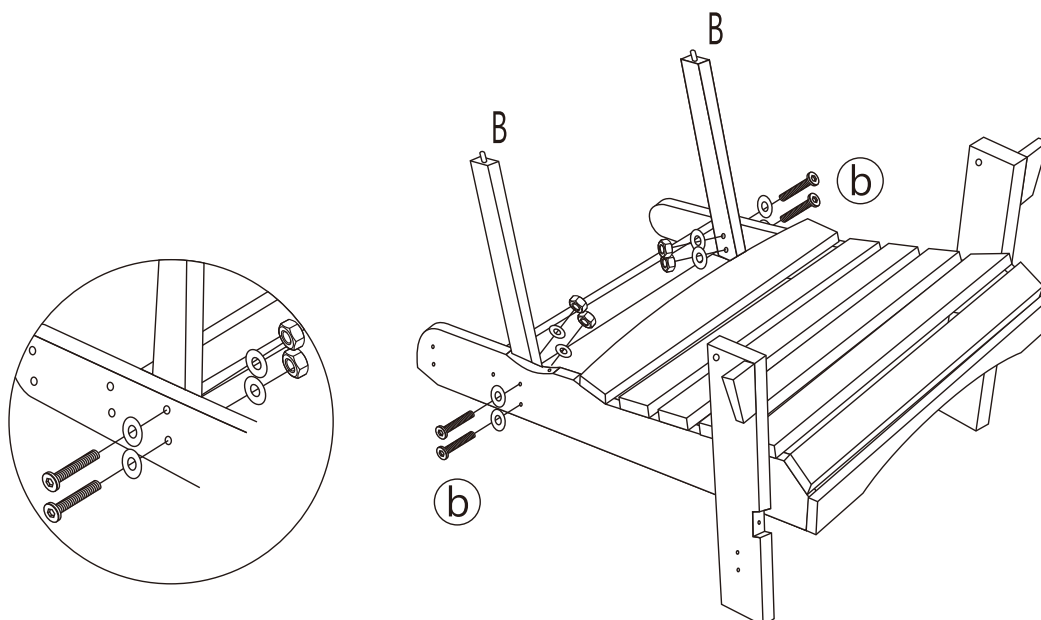
# Step 3



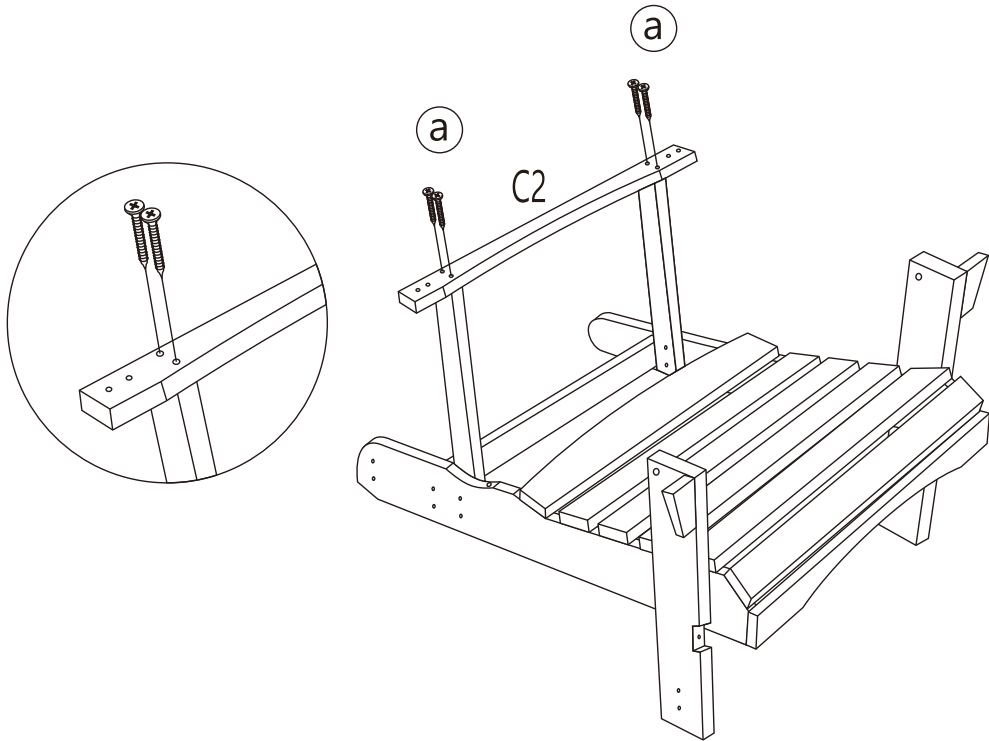
## Step 4



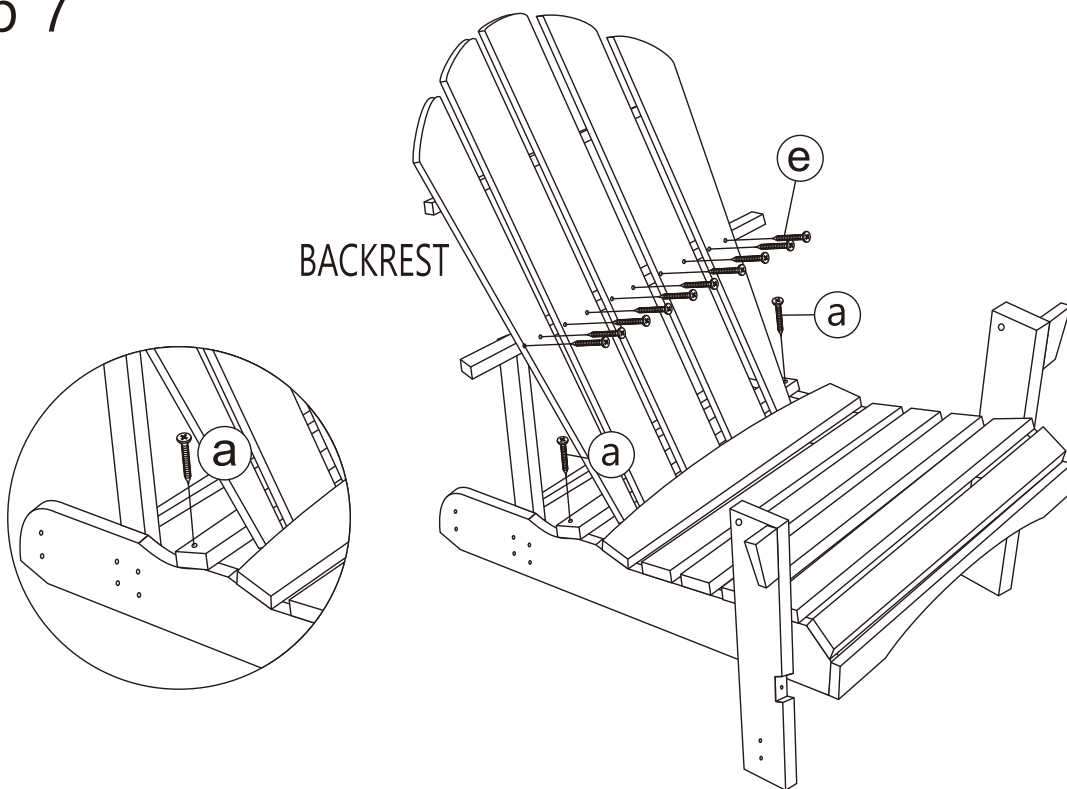
## Step 5



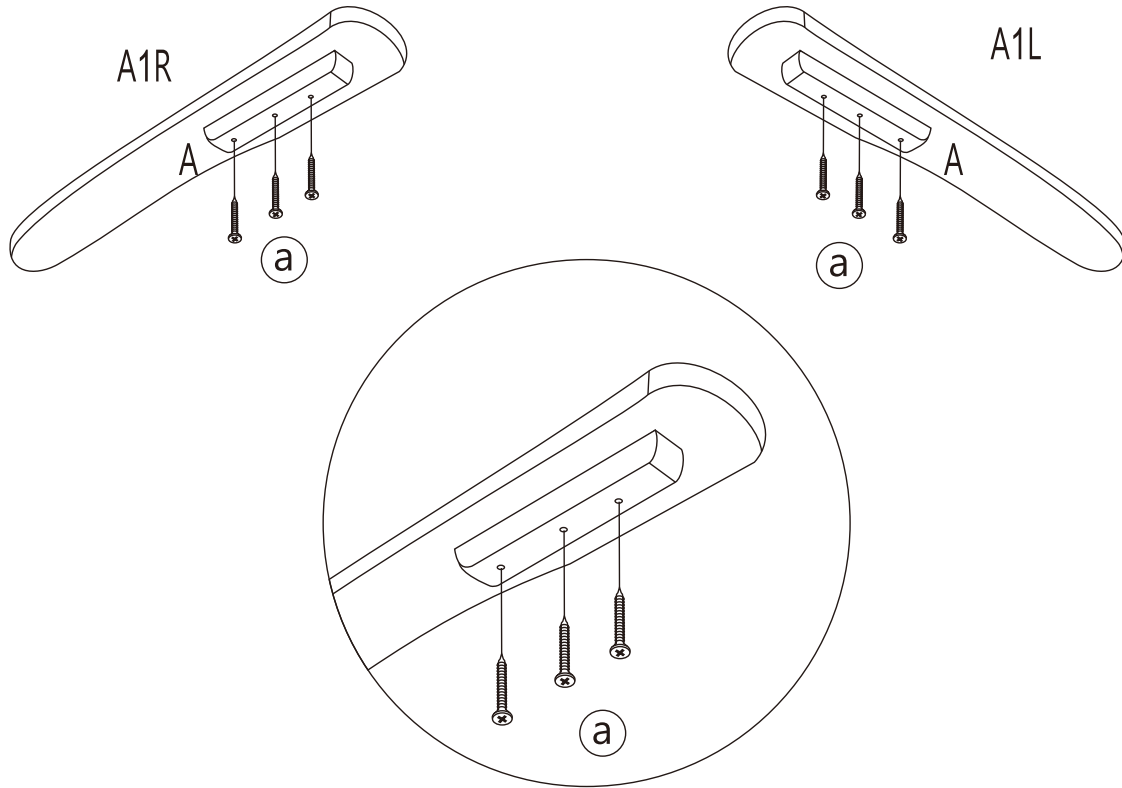
# Step 6



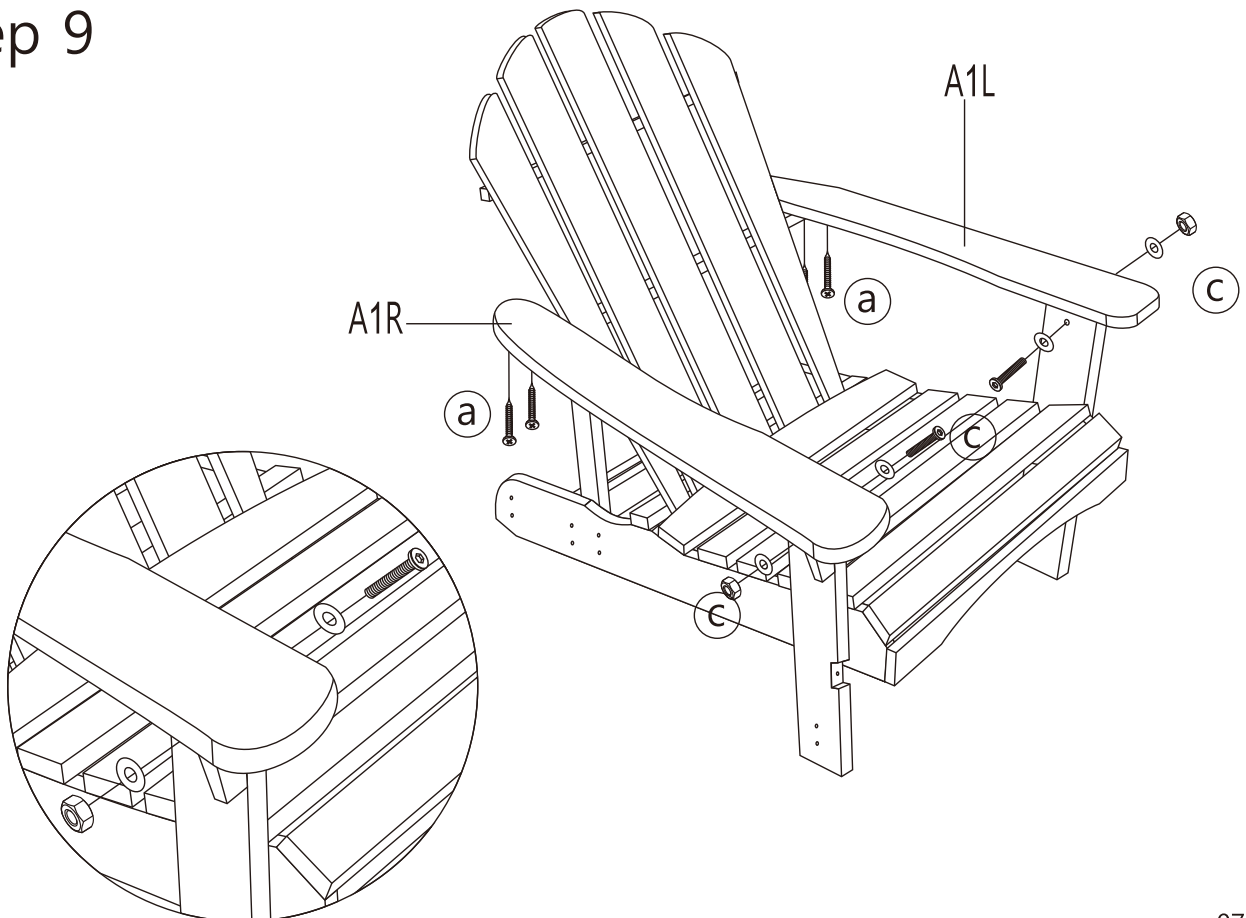
# Step 7



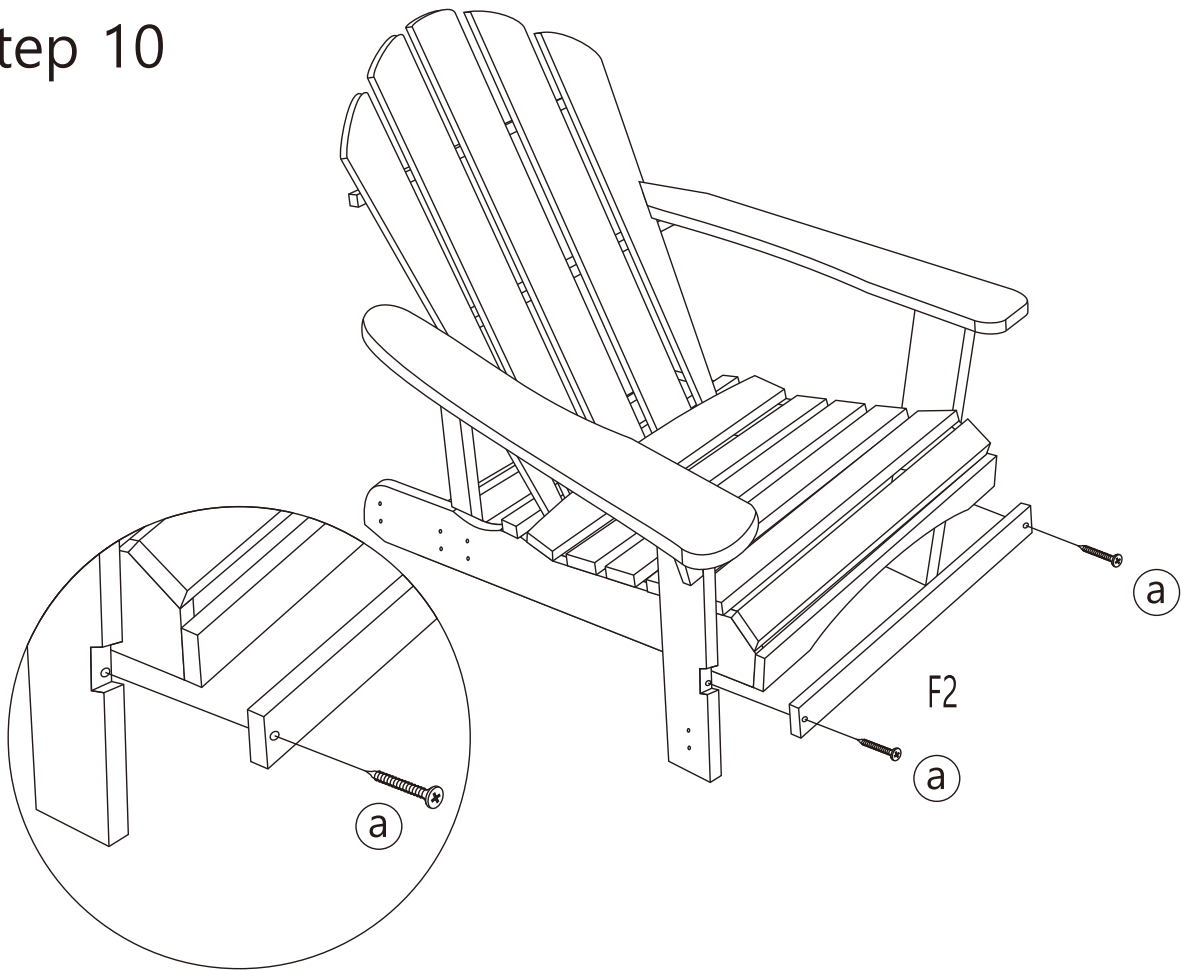
# Step 8



# Step 9



# Step 10



# Step 11

