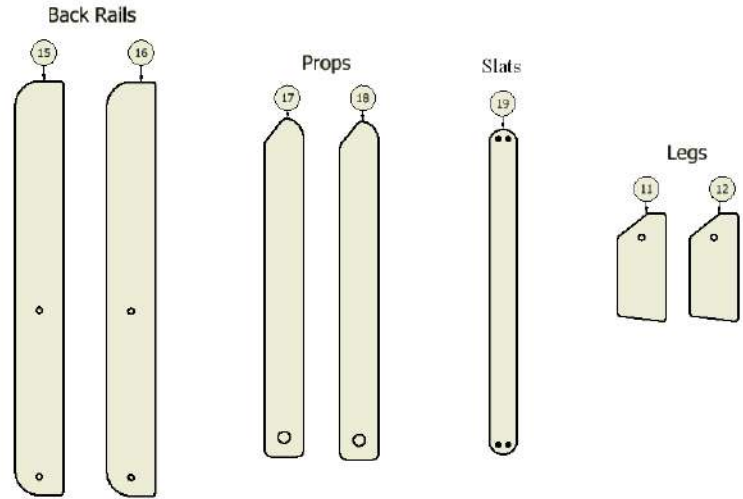
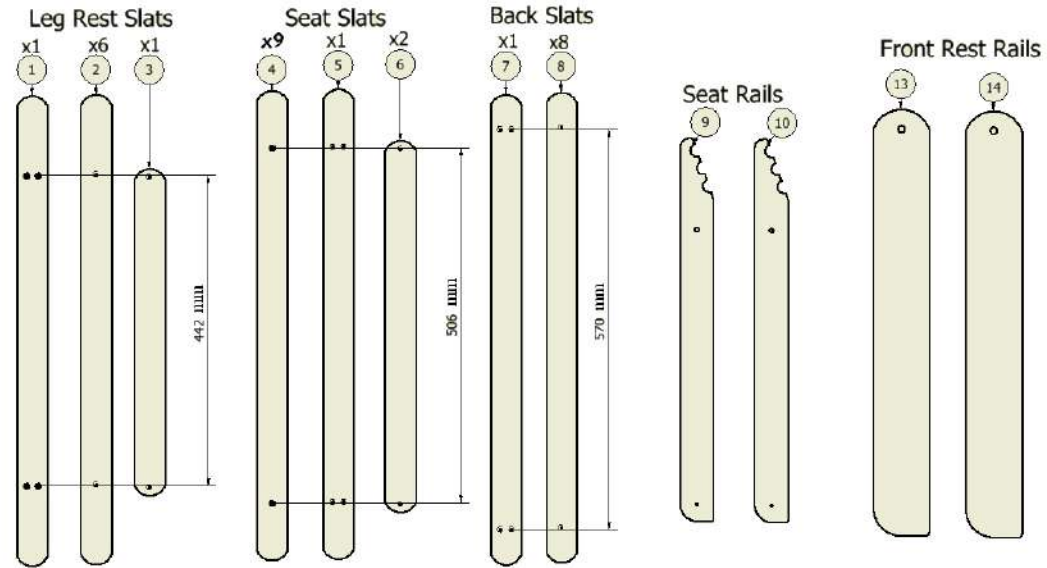
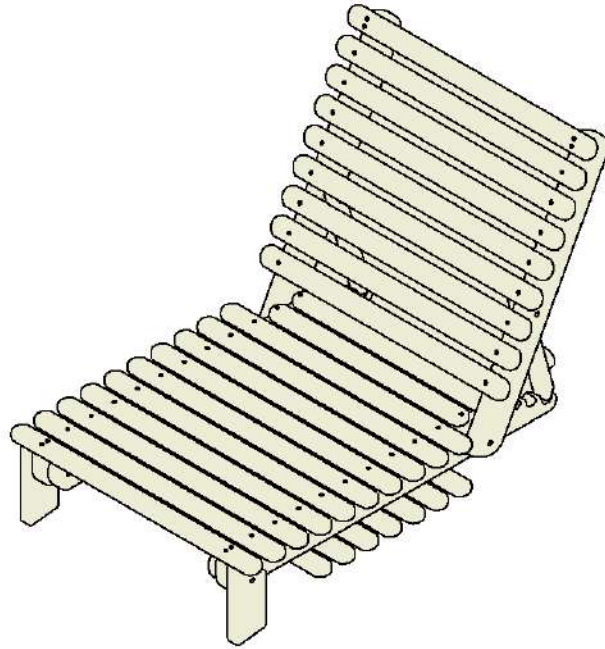


Assembly Instruction

SB1 TITCH



a Stud x 12

d Long x 2

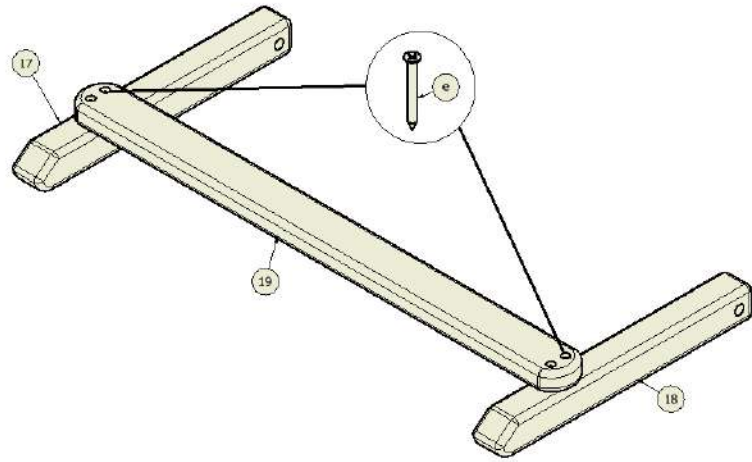
f Allen key x 2

b Washer x 8

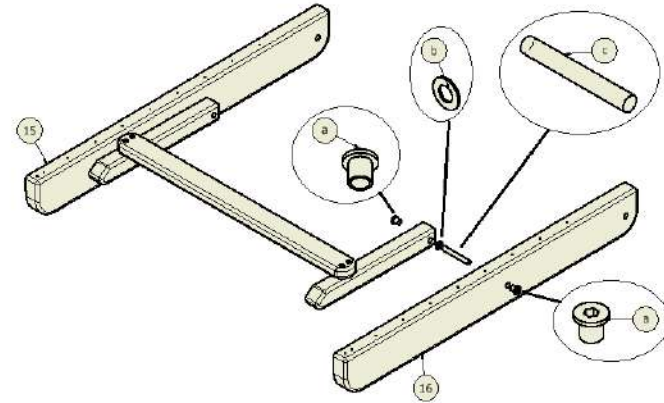
e Screw x 68

c Short x 4

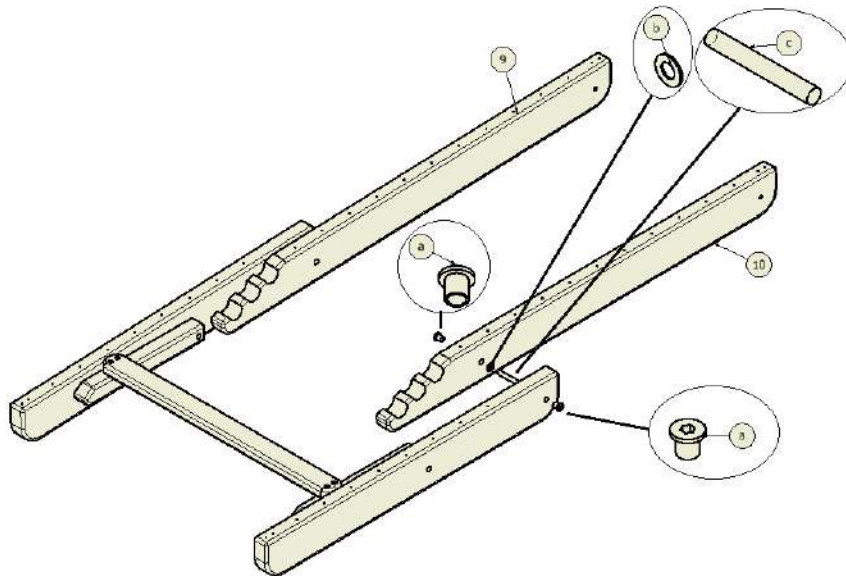
1



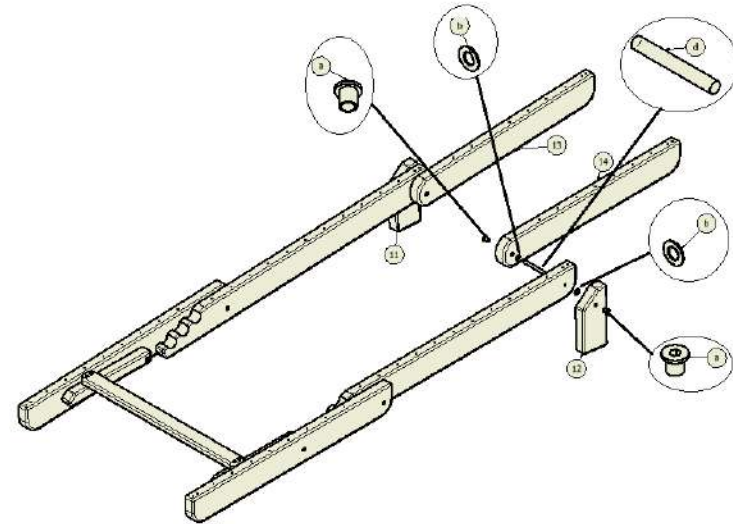
2



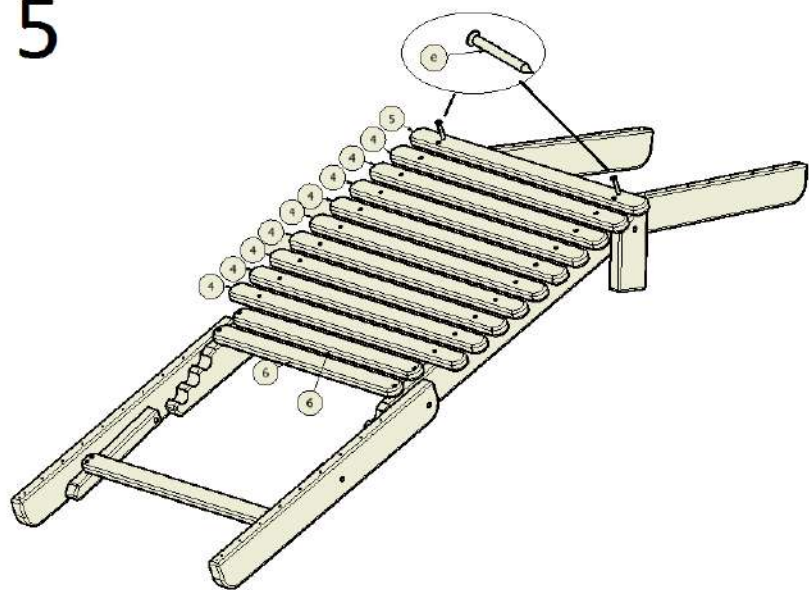
3



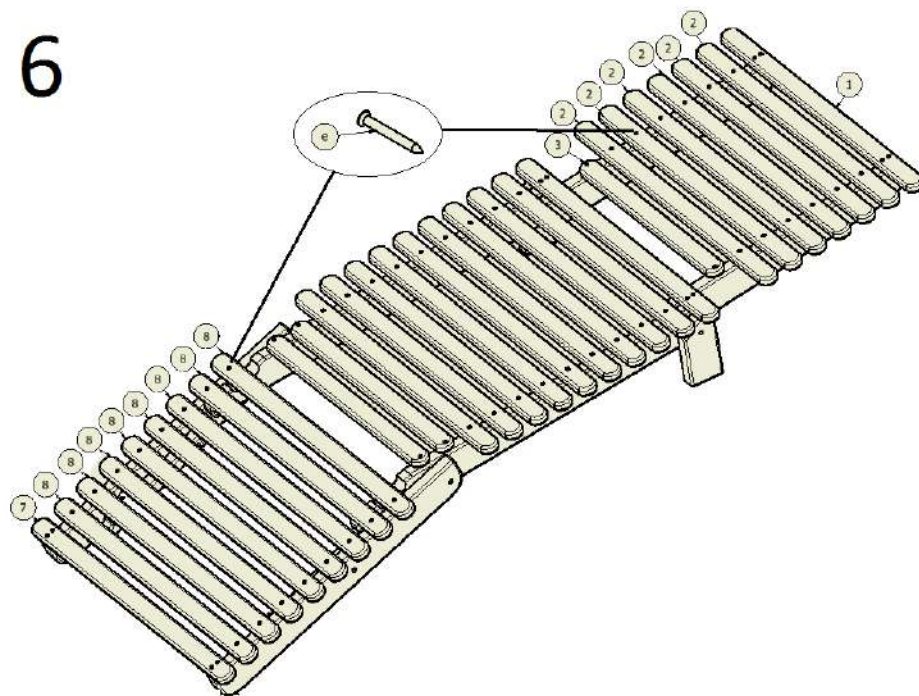
4



5



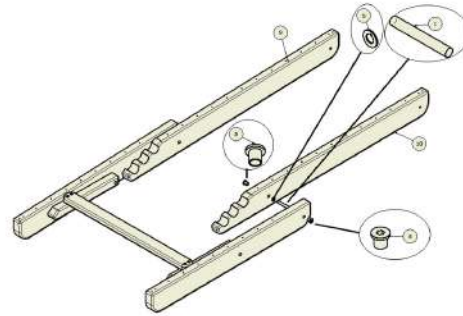
6



Assembly Tips For Your Titch Sofa Bed

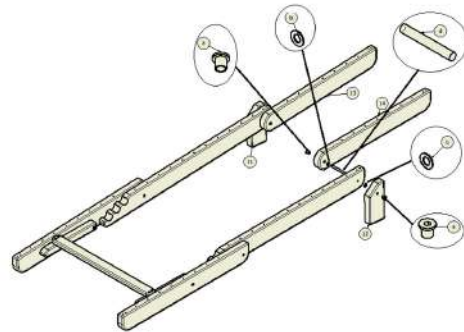
FUTON
C O M P A N Y

TIP 1

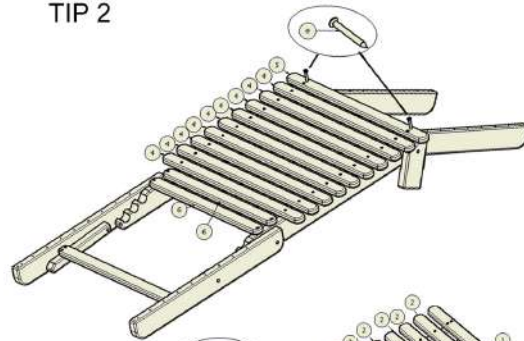


When assembling all parts of the sub frame fix parts A,B,C + D together but do not fully tighten.

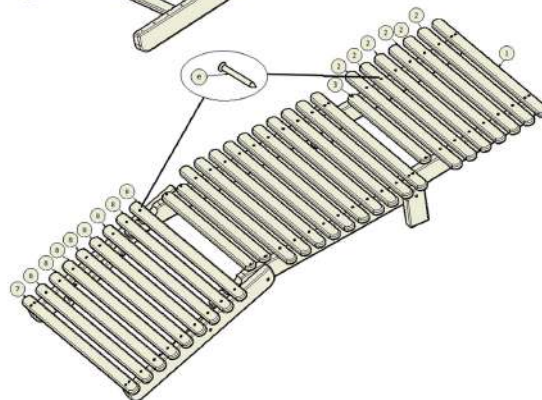
Overtightening these parts before all of the top slats are screwed down can lead to mis-alignment of components.



TIP 2



Screw slat numbers 5 and both of slats 6 into place first. Then lay all of slats part 4 into position before screwing down.



Screw slat numbers 1 and 3 into place first. Then lay all of slats part 2 into position before screwing down.

Then carry out the same procedure for the final section by screwing slat 7 and one slat 8 into place first before laying out and screwing down the remaining slats number 8.

Finally parts A,B,C + D can be tightened.