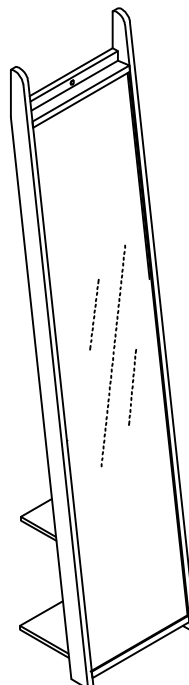


Assembly Instructions

FUTON
C O M P A N Y

Mirror - Oak Leaning (V3 RND)

ROPO no:



PLEASE READ THESE INSTRUCTIONS VERY CAREFULLY BEFORE YOU BEGIN, TO ENSURE THAT YOUR FUTON COMPANY PRODUCT WILL GIVE YOU MANY YEARS OF SATISFACTION

Thank you for buying a Futon Company product.

We are constantly striving to improve everything we do, but occasionally mistakes do occur. In the unlikely event that you find any part missing, please call your nearest Futon Company store and we will arrange for the despatch of an immediate replacement. Please keep all packaging until you have checked every part and assembly of your Futon Company product is complete.

Version number: 1

Product code: ST LN MIR 3

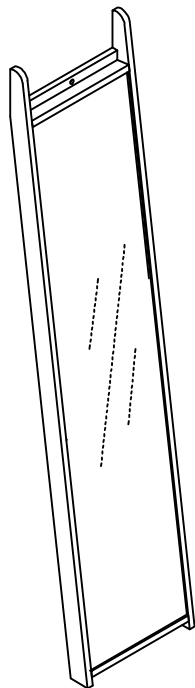
Date: 25/02/20

experts in small space living

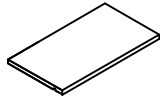


Parts Checklist

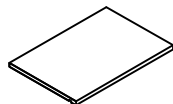
Please count and check every component very carefully before you begin



① Mirror x1



② Upper Shelf
(350x205)mm x 1



③ Lower Shelf
(350x250)mm x 1



④ Wooden Cap x 1

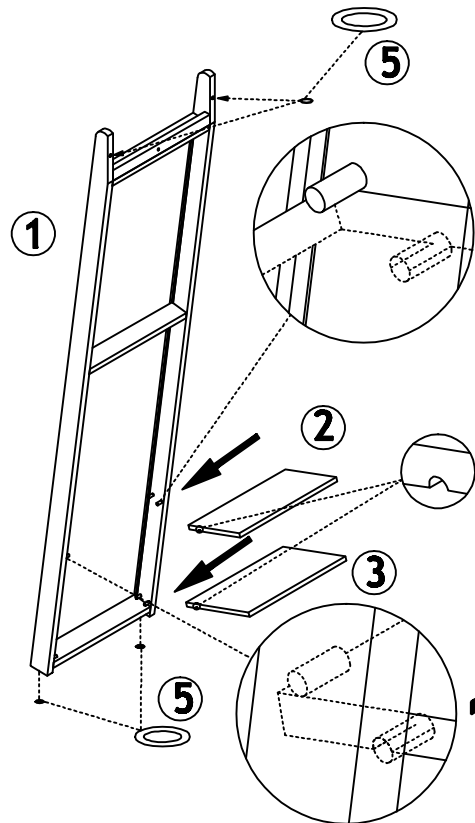


⑤ Anti-slip pad x 4



How To Assemble Your Mirror

Please follow these instructions carefully



How To Use

Please read carefully

CARE

To clean your Mirror, wipe with a damp cloth followed by a dry cloth.

IMPORTANT

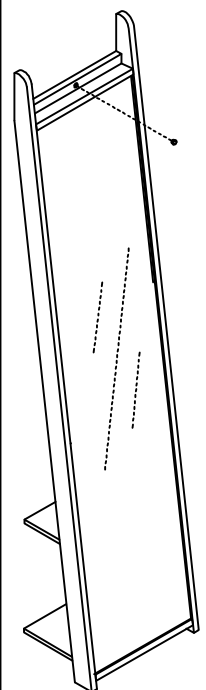
To ensure maximum performance from this product, we advise that you check and tighten all bolts and screws on a regular basis to avoid damage and strain to parts.

GUARANTEE

This instruction leaflet forms part of your guarantee. Please retain it. The ROPO number along with your invoice number will need to be quoted in all correspondence with Futon Company.

Thank you for choosing Futon Company.

To secure unit against wall, use hole in top of mirror unit. Non slip feet can also be used to hold the unit in place against the wall. Fixings to secure unit to wall are not included as different wall materials require different types of fixing. Use part 4 to cover screw fixing once unit is secured to wall. For safety reasons, we advise you to fix this item to the wall if young children or boisterous dogs are liable to bang into it. Never allow children to climb on furniture.



④