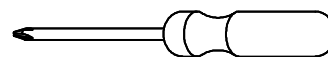
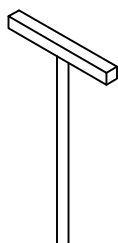
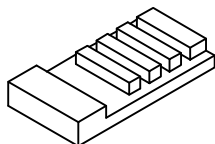


Arrivals - Oak Trey Stand

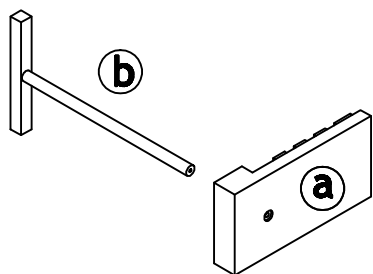
FUTON
C O M P A N Y

ROPO

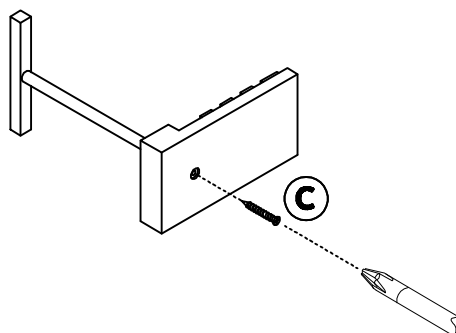


*** Cross head
Screwdriver
also required
for assembly**

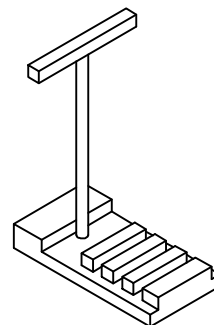
(a) Main Stand x 1 (b) T Holder x 1 (c) Screw x 1



1.



2.



3.

FINISH

Your Stand is made from solid Oak and has an oiled finish.

CARE

To clean your Stand, wipe with a damp cloth followed by a dry cloth.

IMPORTANT

To ensure maximum performance from this product, we advise that you check and tighten all

bolts and screws on a regular basis to avoid damage.

GUARANTEE

This instruction leaflet forms part of your guarantee, please retain it. The ROPO number along with your invoice number will need to be quoted in all correspondence with Futon Company.

Thank you for choosing Futon Company.

Version number: 1

Product code: AR TREY STAND

Date: 27/02/19

experts in small space living