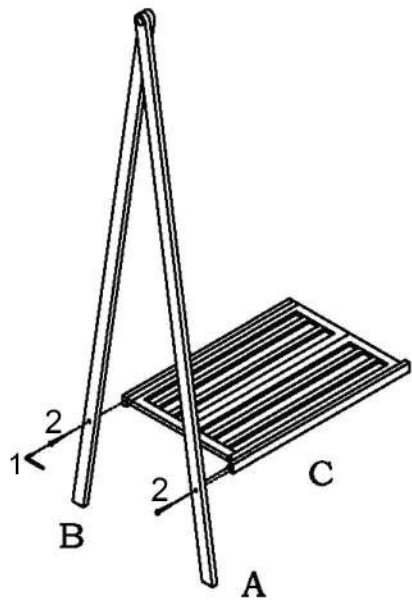
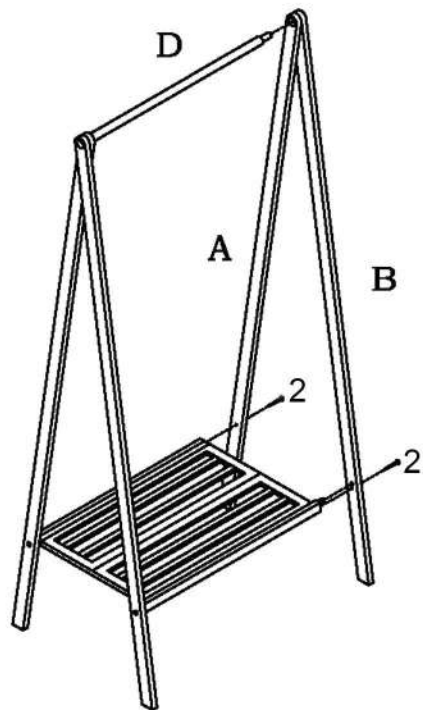


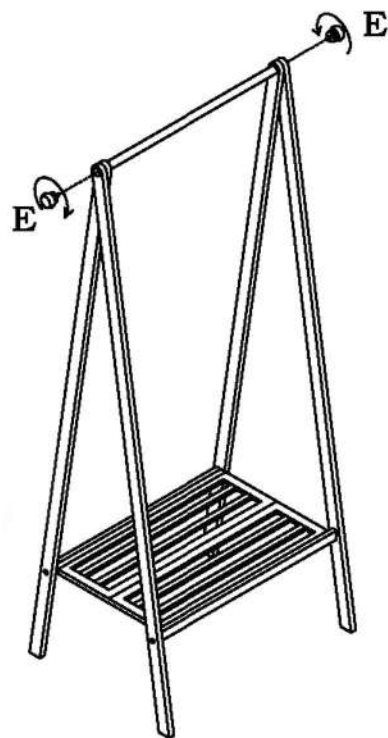
ST BAM FOLD WARD



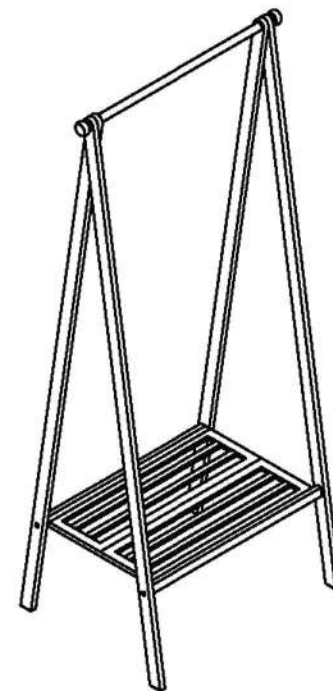
1



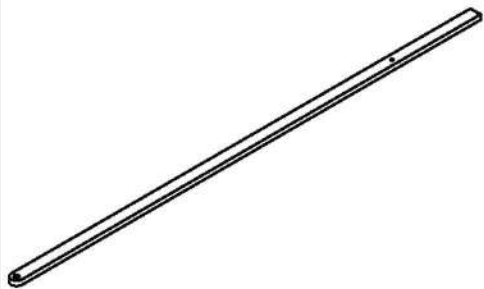
2



3

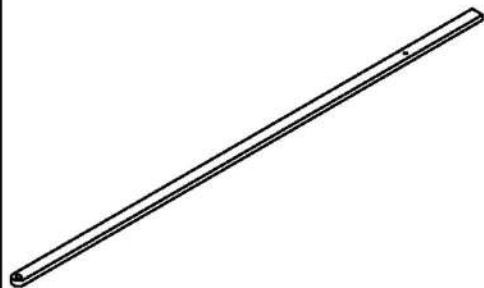


4



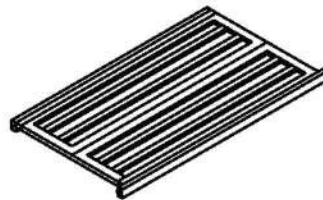
A

2pcs



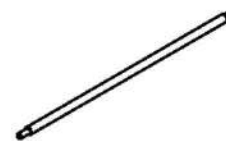
B

2pcs



C

1pc



D

1pc



E

2pcs



1

1pc



2

4pcs