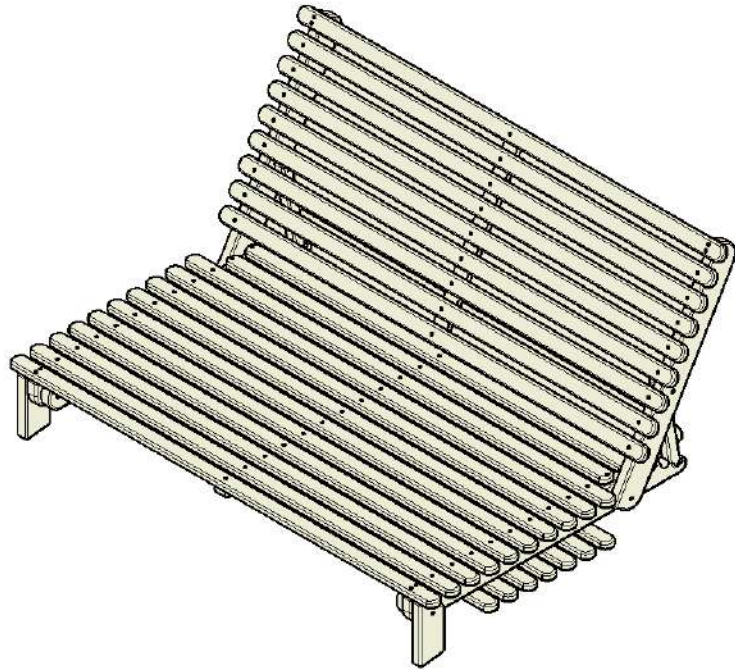
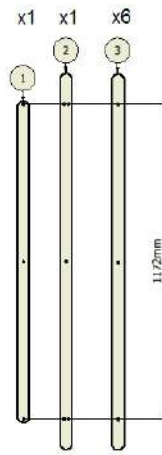


Assembly Instruction

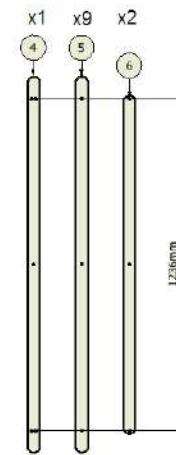
SB2 BELLA



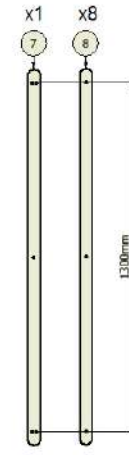
Leg Rest Slats



Seat Slats



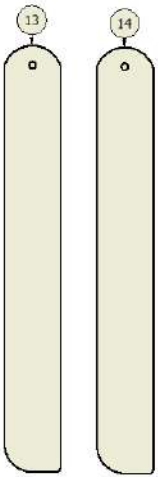
Back Slats



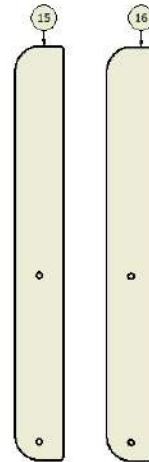
Seat Rails



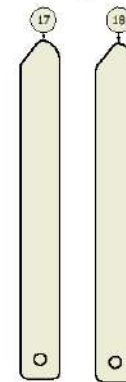
Front Rest Rails



Back Rails



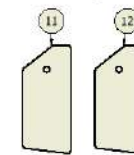
Props



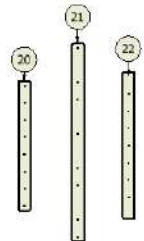
Slats



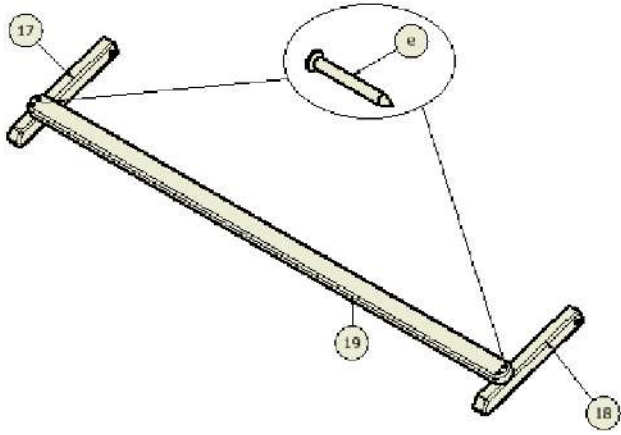
Legs



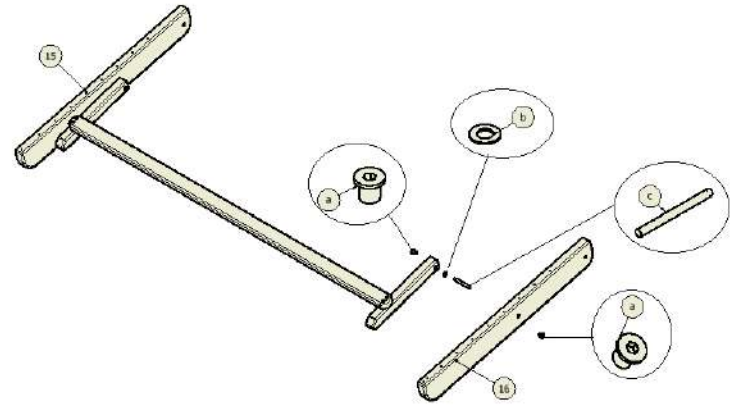
Strengthen



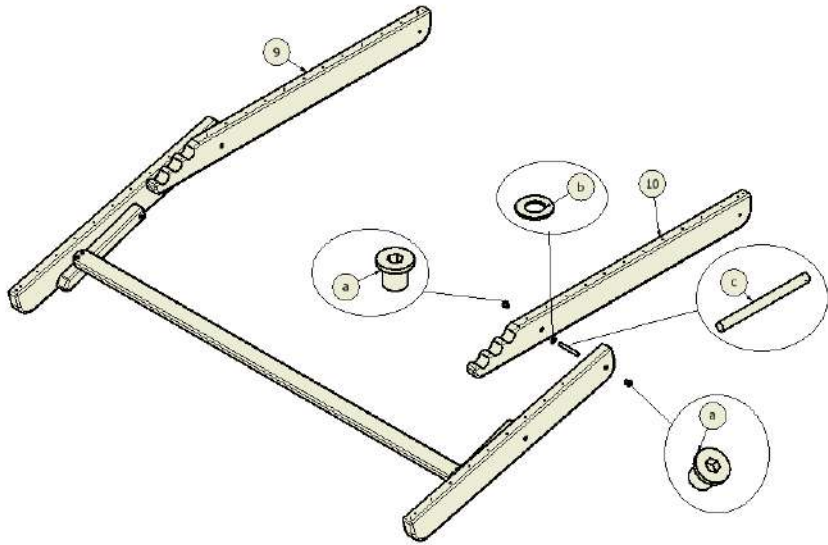
1



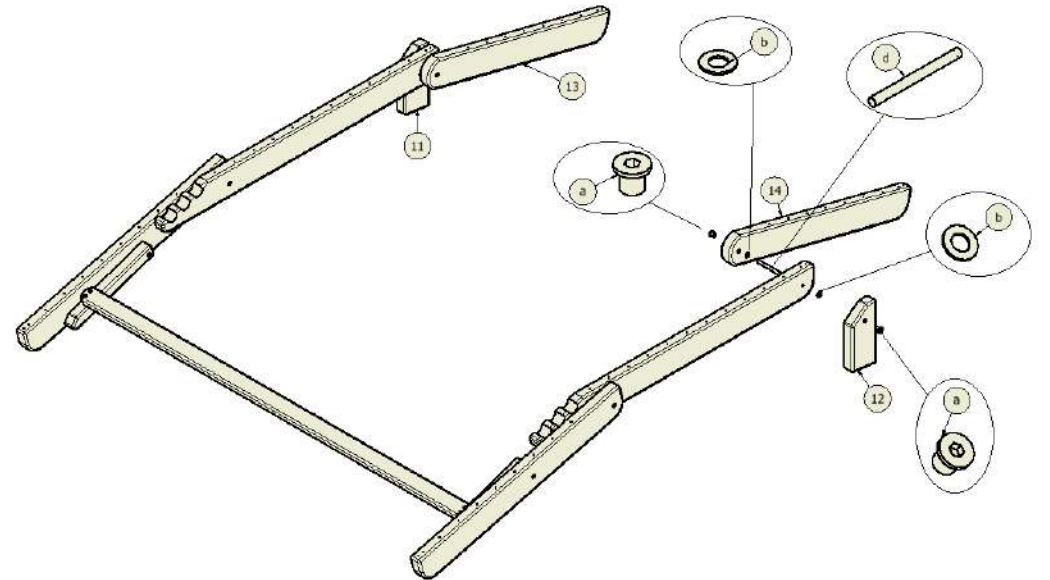
2



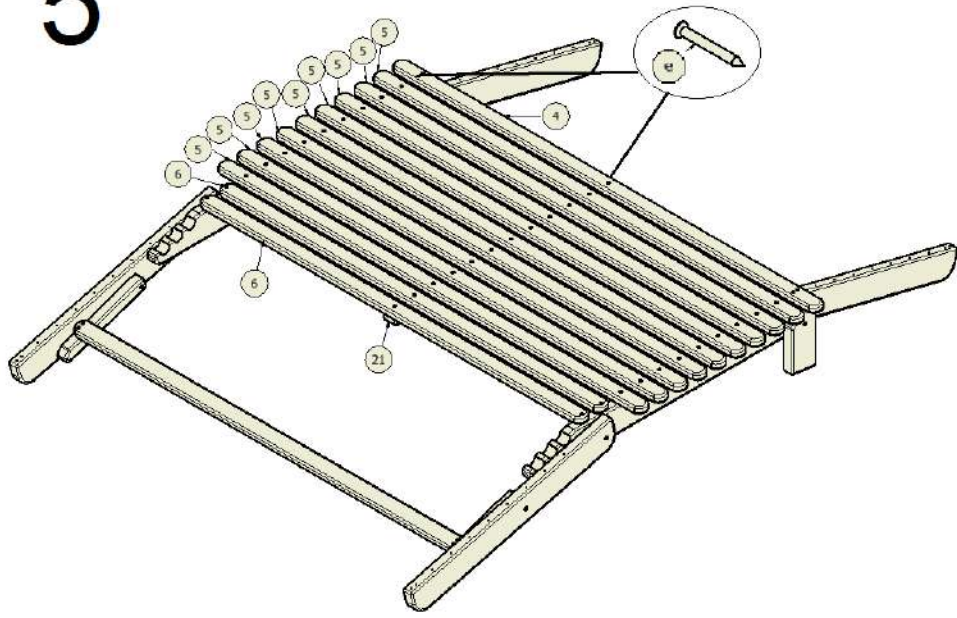
3



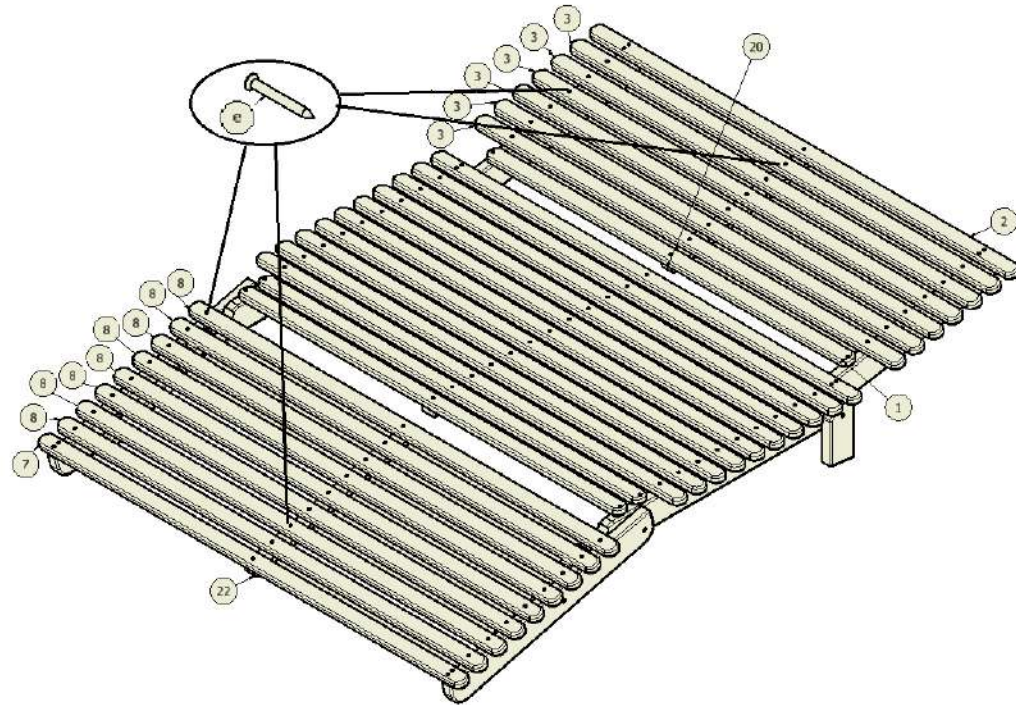
4



5



6

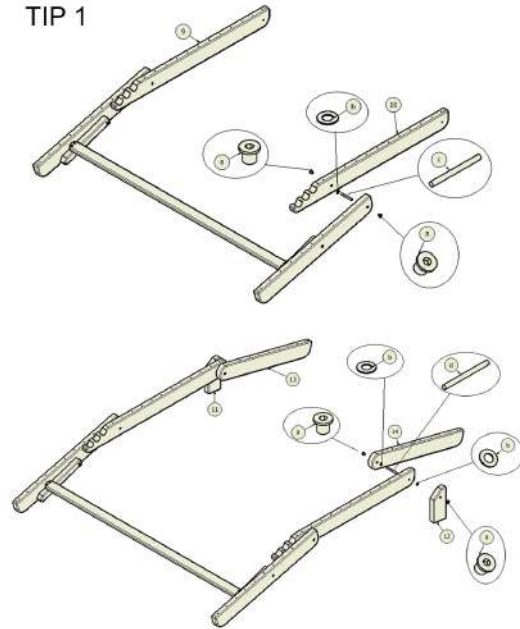


Assembly Tips For Your Bella Sofa Bed

FUTON

C O M P A N Y

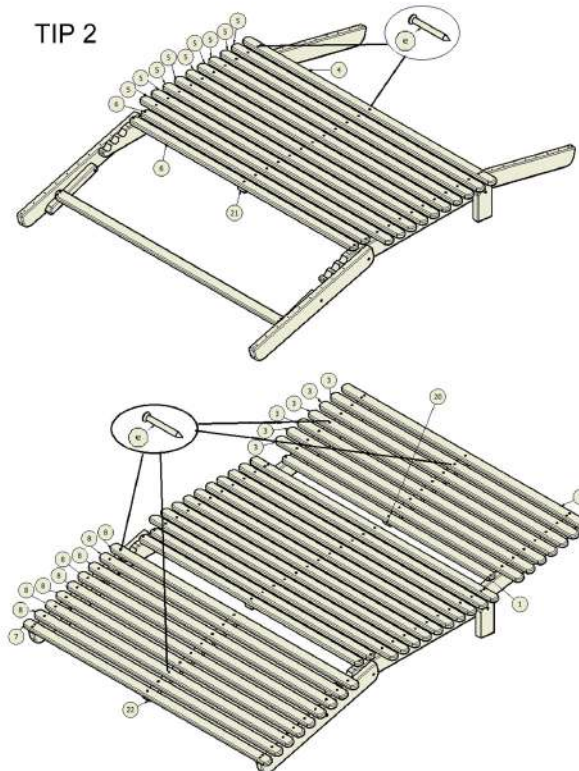
TIP 1



When assembling all parts of the sub frame fix parts A,B,C + D together but do not fully tighten.

Overtightening these parts before all of the top slats are screwed down can lead to mis-alignment of components.

TIP 2



Screw slat numbers 4 and both of slats 6 into place first. Then lay all of slats part 5 into position before screwing down.

Screw slat numbers 1 and 2 into place first. Then lay all of slats part 3 into position before screwing down.

Then carry out the same procedure for the final section by screwing slat 7 and one slat 8 into place first before laying out and screwing down the remaining slats number 8.

Finally parts A,B,C + D can be tightened.