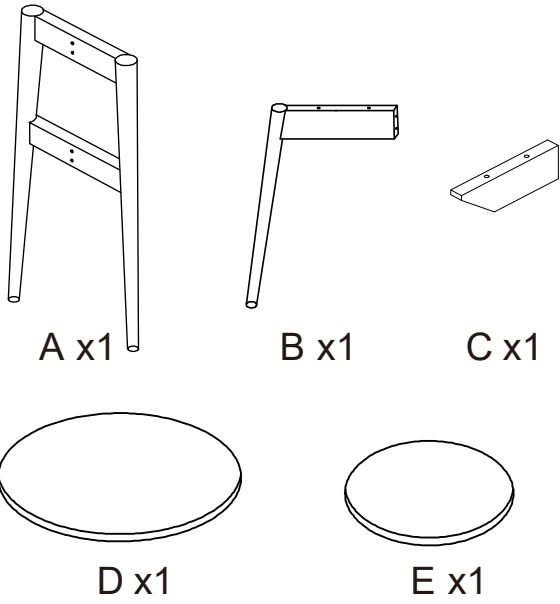






Parts Checklist



Fittings Checklist

- ①  x8
φ 6*40
- ②  x4
- ③  x1
- ④  x3

