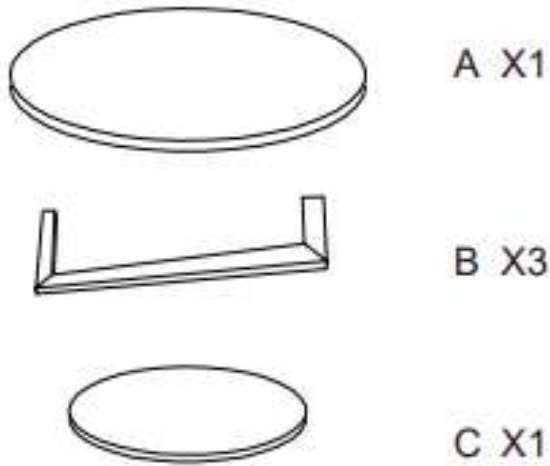


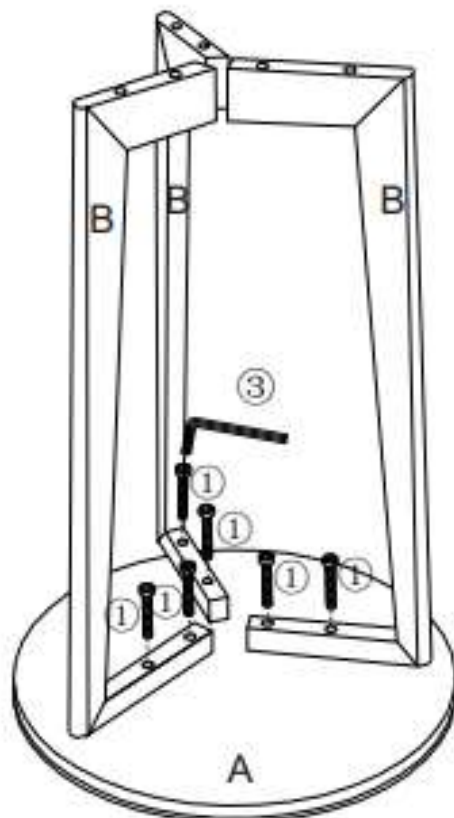
### Parts Checklist



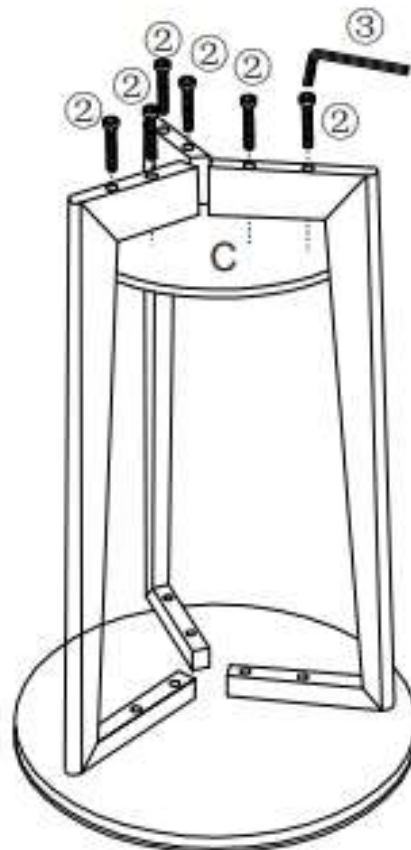
### Fittings Checklist



1



2



3

