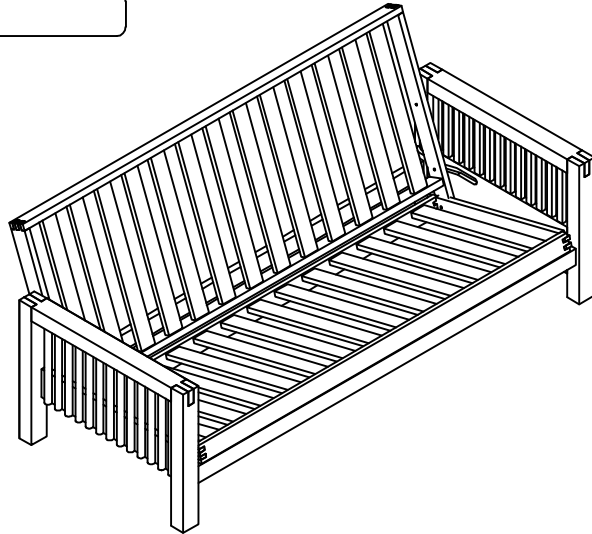


Assembly Instructions

Sofa Bed Arm - Birch Rondo Bifold

Ropo no:



Please read these instructions very carefully before you begin to ensure that your Futon Company sofa bed will give you many years of satisfaction

Thank you for buying a Futon Company product.

We are constantly striving to improve everything we do, but occasionally mistakes do occur. In the unlikely event that you find any part missing, please call your nearest Futon Company store and we will arrange for the despatch of an immediate replacement. Please keep all packaging until you have checked every part and assembly of your Futon Company product is complete.

version number:1

product code: ARM BI RDO BCH

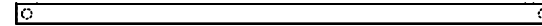
Date: 11/03/19

experts in small space living

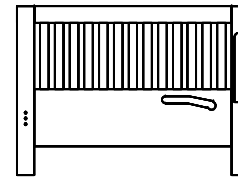


Part Checklist

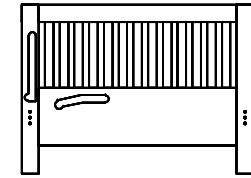
Please count and check every component very carefully before you begin



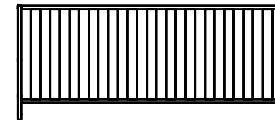
① Cross Rail x 2



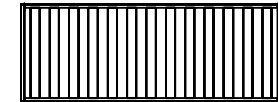
② LH Side arm x 1



③ RH Side arm x 1



④ Back panel x1

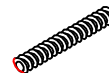


⑤ Seat panel x1



Fittings Checklist

Please count and check every component very carefully before you begin



Ⓐ Bolt x4



Ⓑ Allen Head Bolt x4



Ⓒ Runner Wheel x4



Ⓓ Pressure Plate x4



Ⓔ Pin X2



Ⓕ Small Washer x4



Ⓖ Nut x4



Ⓗ Dowel x8



Ⓘ Allen Key x1



Ⓙ Small Spanner x1



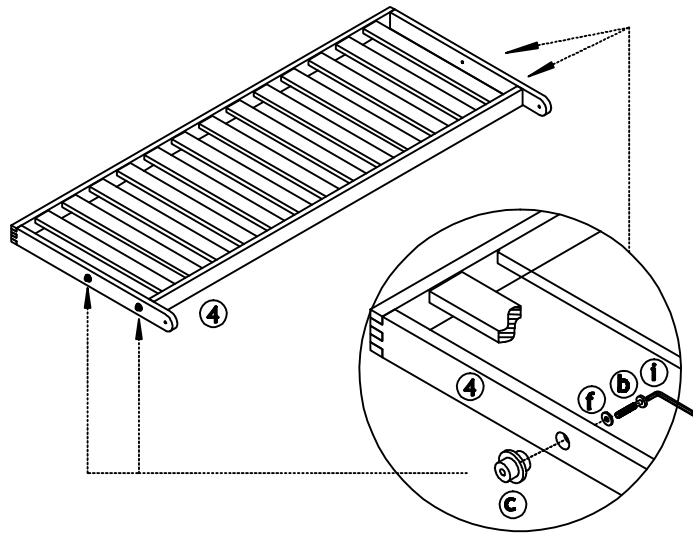
How To Assemble Your Sofa Bed

Please follow these instructions carefully

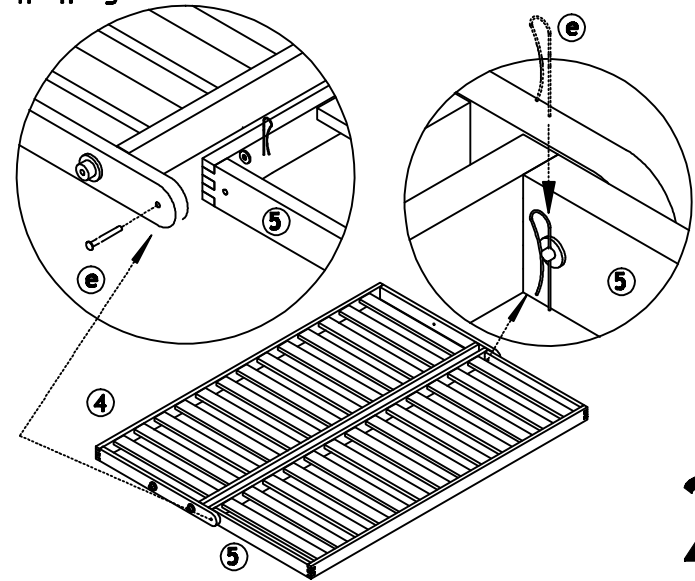
FUTON

C O M P A N Y

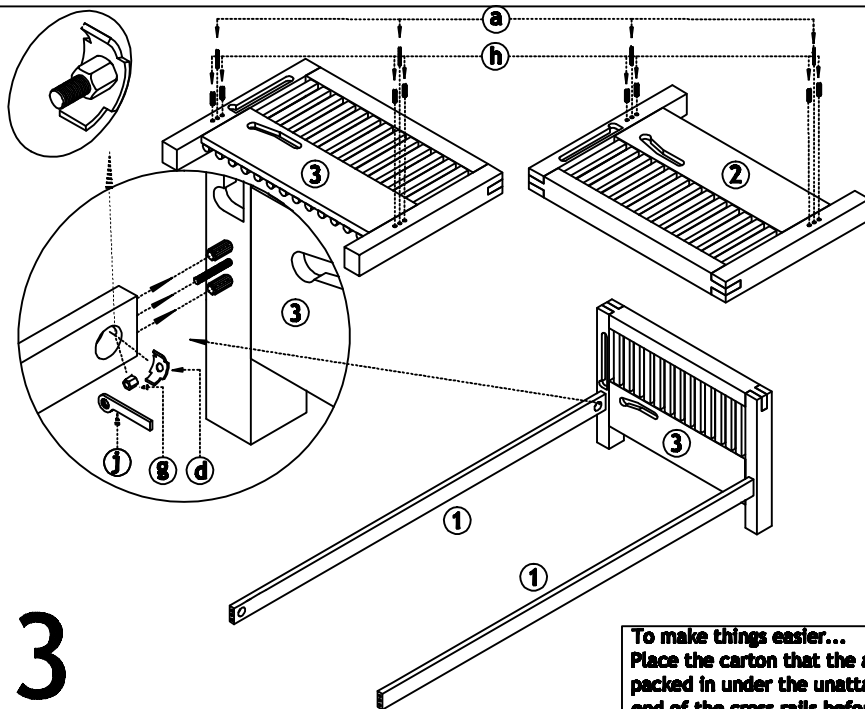
1



2



3



To make things easier...
Place the carton that the arms were
packed in under the unattached
end of the cross rails before step 4.

4

