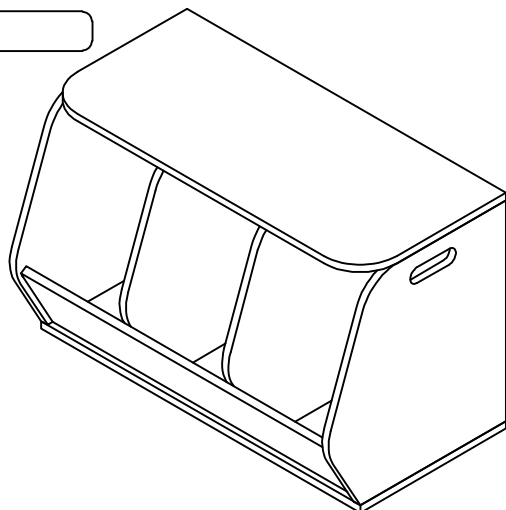


## Assembly Instructions

# FUTON C O M P A N Y

## Storage - Stacking Triple Oak Tidy (V2)

ROPO no:



**PLEASE READ THESE INSTRUCTIONS VERY CAREFULLY BEFORE YOU BEGIN, TO ENSURE THAT YOUR FUTON COMPANY PRODUCT WILL GIVE YOU MANY YEARS OF SATISFACTION**

Thank you for buying a Futon Company product.

We are constantly striving to improve everything we do, but occasionally mistakes do occur. In the unlikely event that you find any part missing, please call your nearest Futon Company store and we will arrange for the despatch of an immediate replacement. Please keep all packaging until you have checked every part and assembly of your Futon Company product is complete.

Version number: 1    Product code: ST TDY TPL OAK V2    Date: 02/05/19

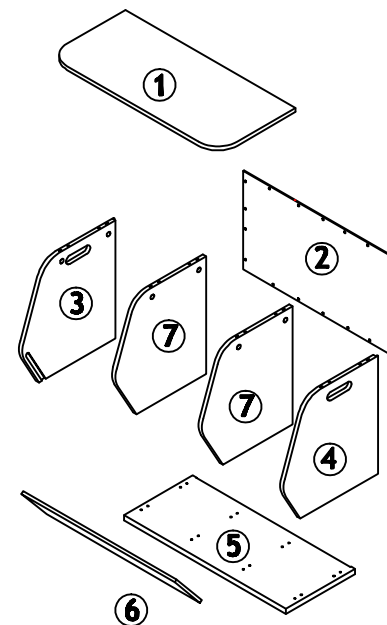
*experts in small space living*



## Parts Checklist

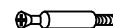
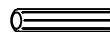
Please count and check every component very carefully before you begin

- ① Top x 1
- ② Back Board x 1
- ③ Left Board x 1
- ④ Right Board x 1
- ⑤ Bottom Board x 1
- ⑥ Small Front Panel x 1
- ⑦ Middle Divider x 2



## Fittings Checklist

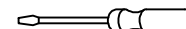
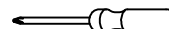
Please count and check every component very carefully before you begin



- ① Dowel x 16    ② Cam Bolt x 8    ③ Cam x 8    ④ 4 x 30mm Screw x 8



- ⑤ 3 x 14mm Screw x 18    ⑥ Anti-slip pad x 4



\* Cross head and flat head Screwdriver also required for assembly



# How To Assemble Your Tidy Box

Please follow these instructions carefully

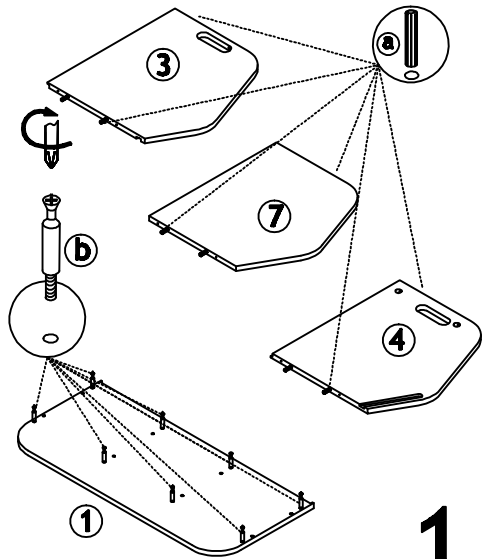
# FUTON

C O M P A N Y

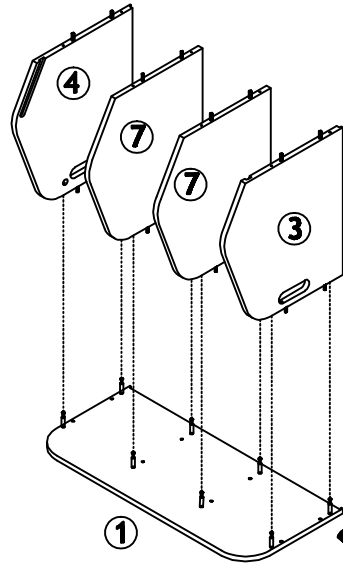


# How To Use

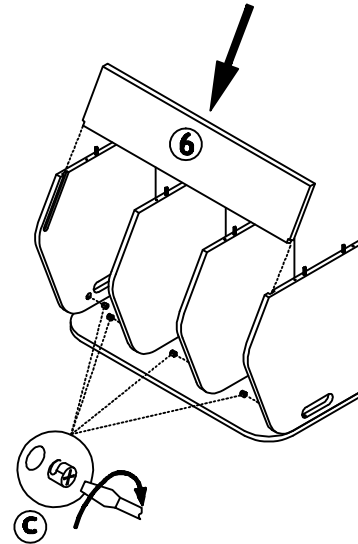
Please read carefully



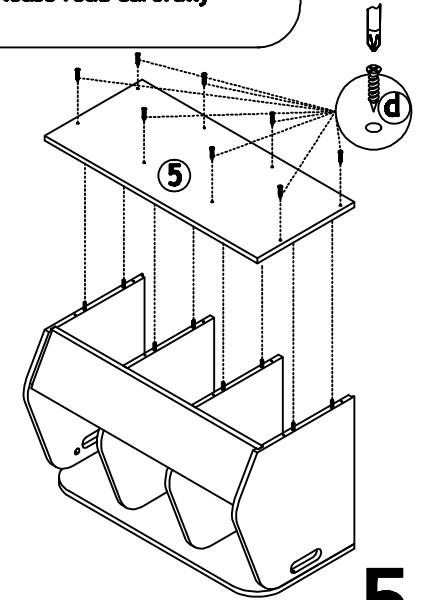
1.



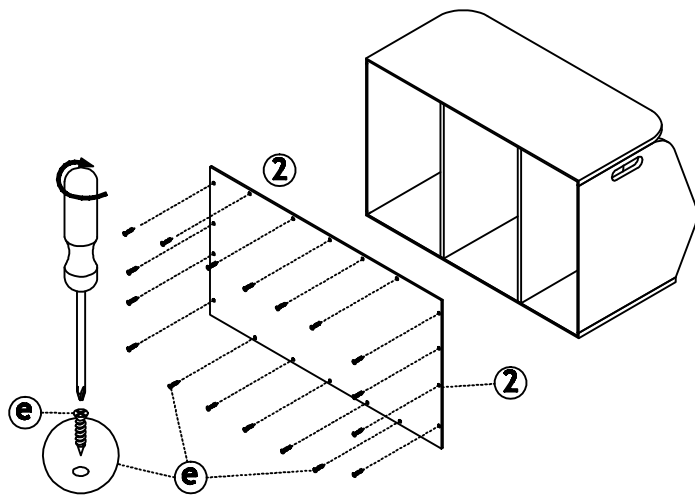
2.



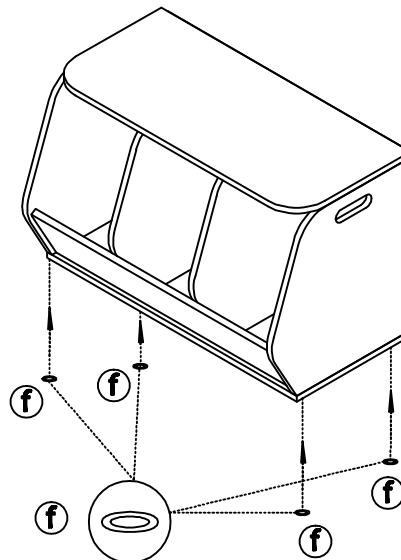
4.



5.



6.



7.

**FINISH**  
Your Oak Tidy Box is made from Solid Oak.

**CARE**  
To clean your Oak Tidy Box, wipe with a damp cloth followed by a dry cloth.

**IMPORTANT**  
To ensure maximum performance from this product, we advise that you check and tighten all bolts and screws on a regular basis to avoid damage and strain to parts.

**GUARANTEE**  
This instruction leaflet forms part of your guarantee, please retain it. The ROPO number along with your invoice number will need to be quoted in all correspondence with Futon Company.

Thank you for choosing Futon Company.