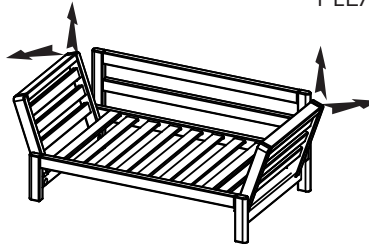
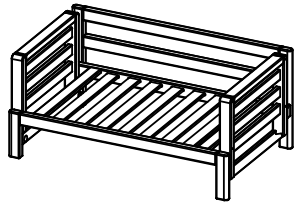


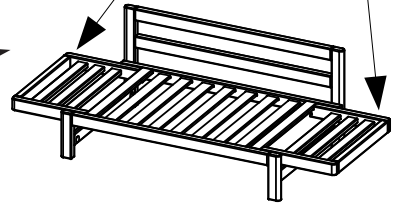
SB2 SNUG



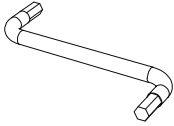
TWO PEOPLE
REQUIRED FOR
ASSEMBLY



PLEASE DO NOT SIT ON THE ARMS



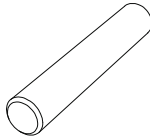
Ax2



Bx1



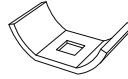
Cx10



Dx4



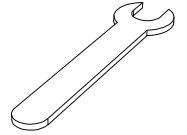
Ex8



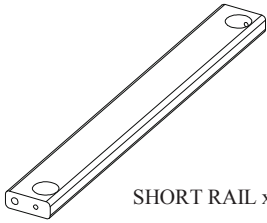
Fx8



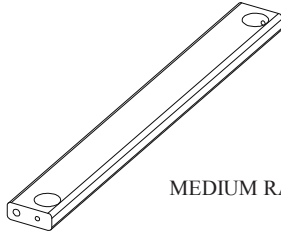
Gx8



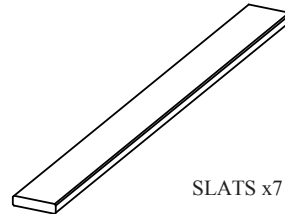
Hx1



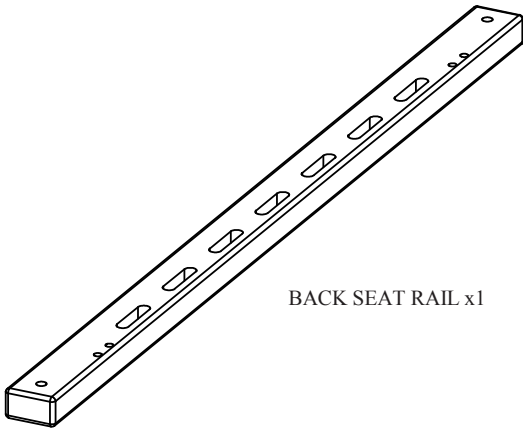
SHORT RAIL x2



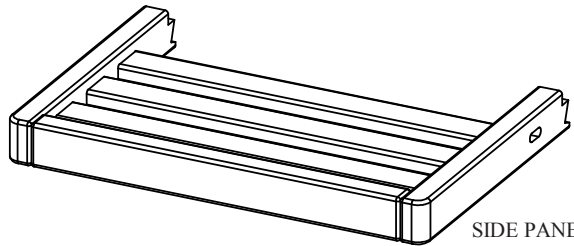
MEDIUM RAIL x2



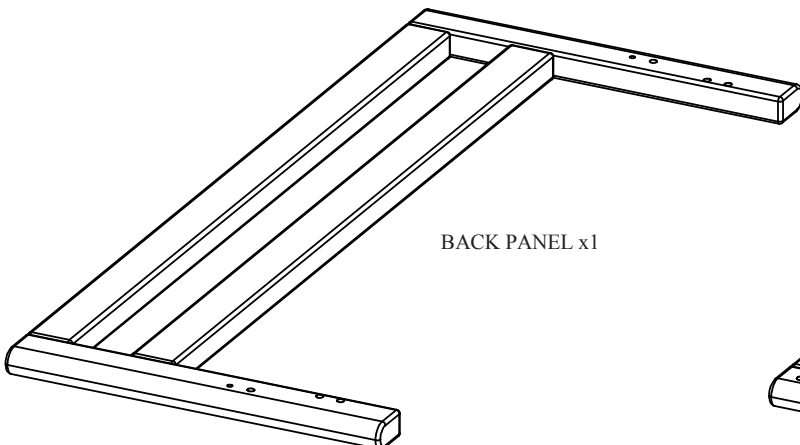
SLATS x7



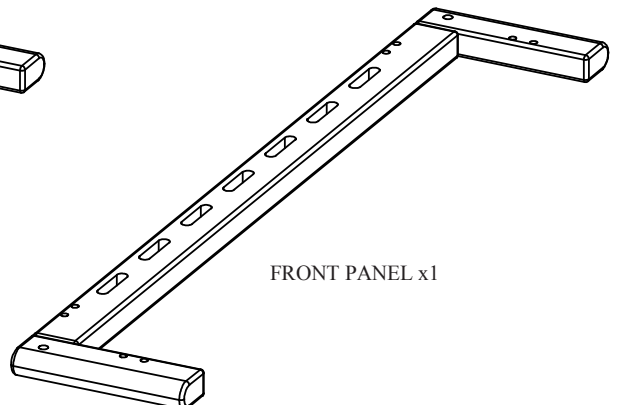
BACK SEAT RAIL x1



SIDE PANEL x2

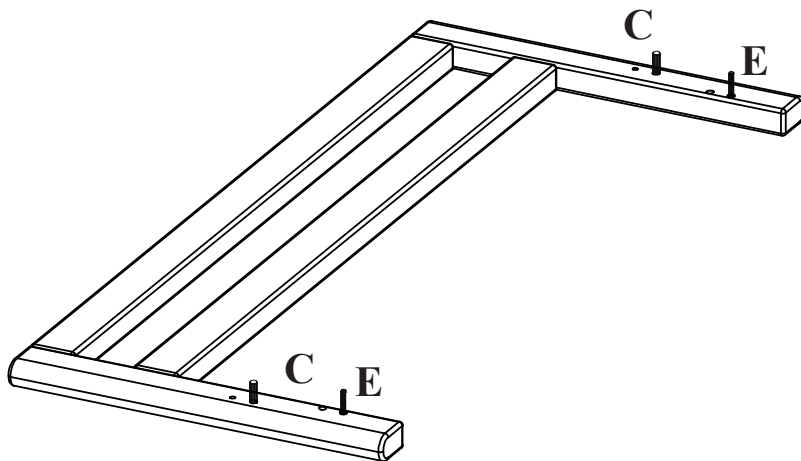
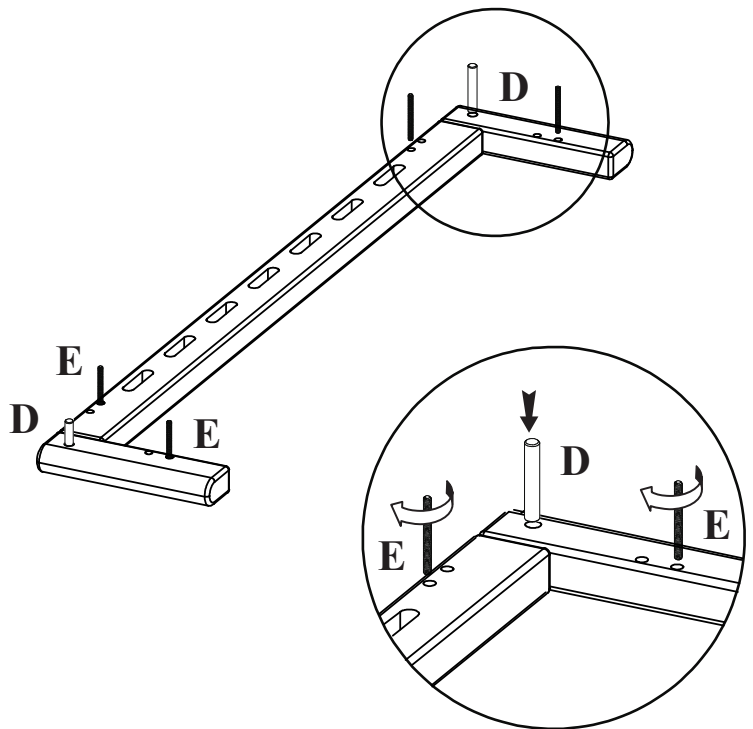
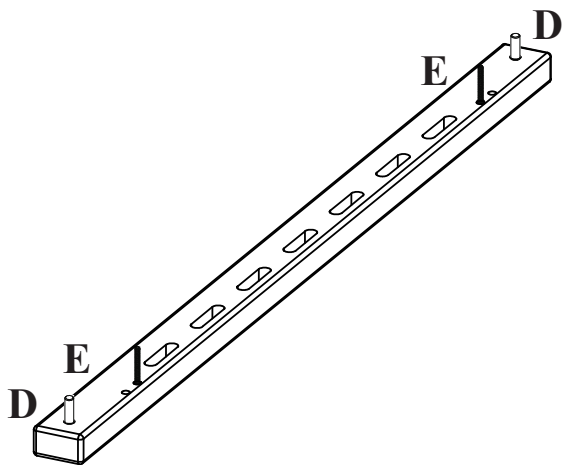
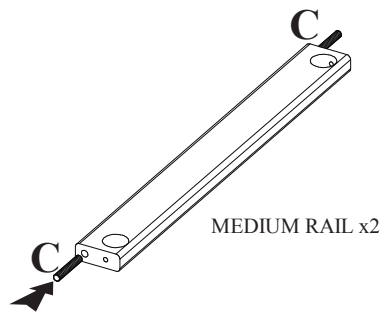
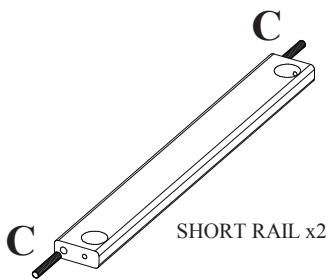


BACK PANEL x1



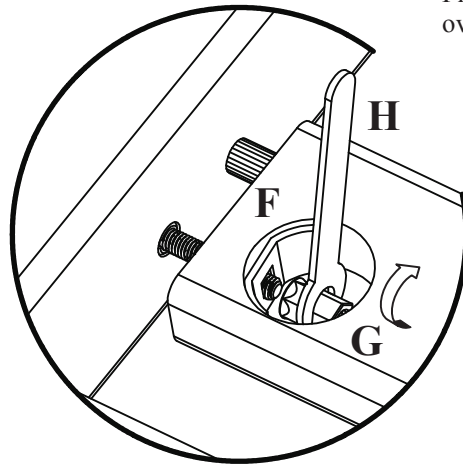
FRONT PANEL x1

1



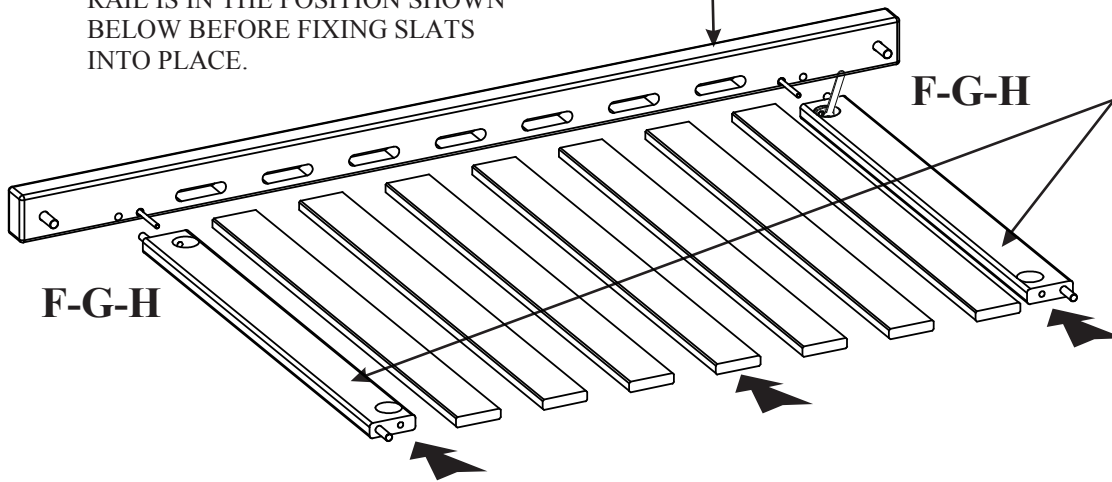
2

Place part F into wooden hole first then line up over thread and dowel before pushing into place.

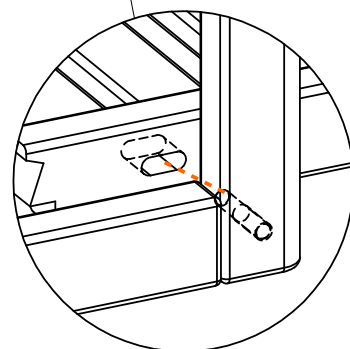
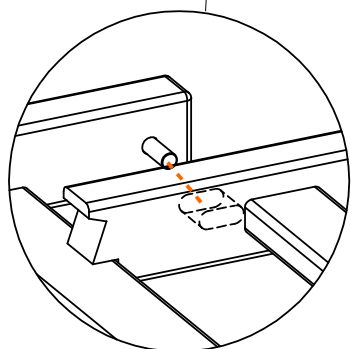
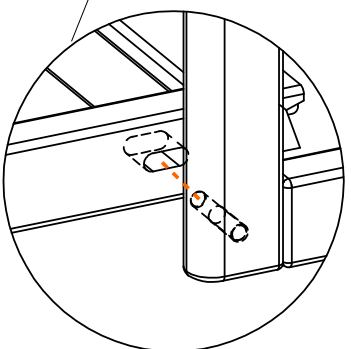
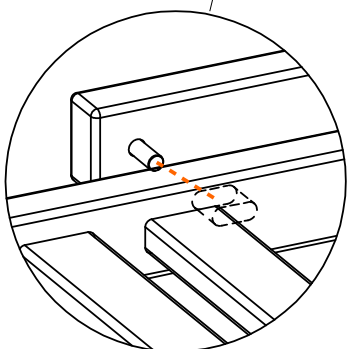
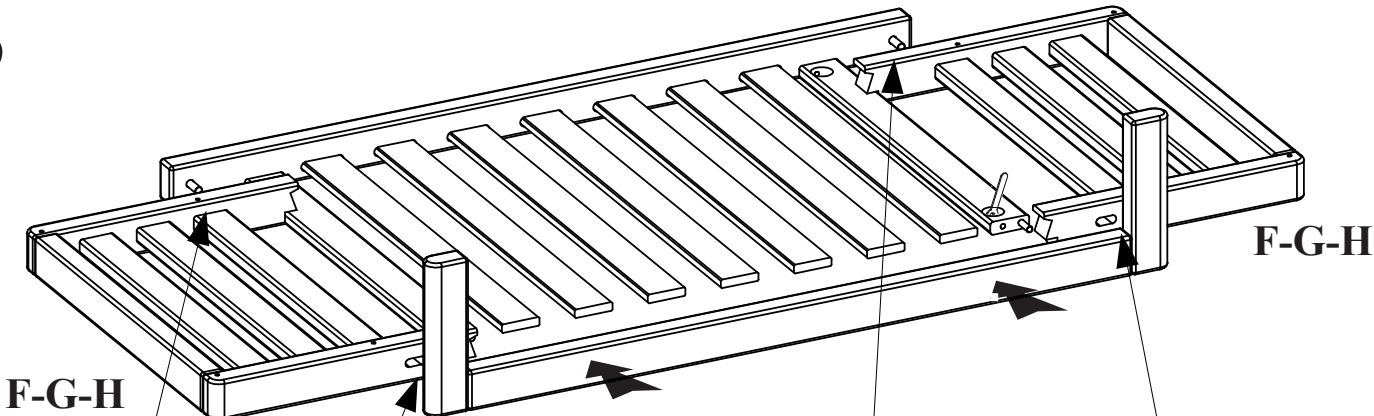


When tightening part G DO NOT OVERTIGHTEN the nut onto the thread (part E)

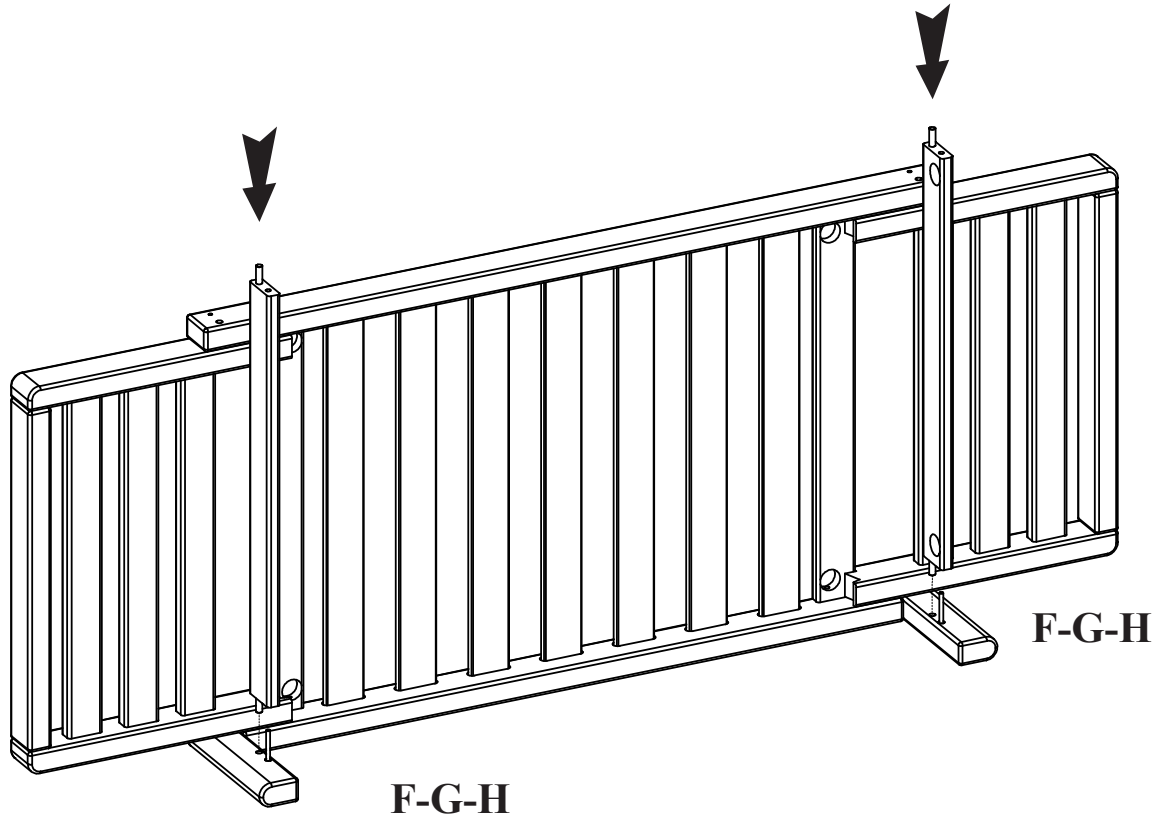
PLEASE MAKE SURE BACK SEAT RAIL IS IN THE POSITION SHOWN BELOW BEFORE FIXING SLATS INTO PLACE.



3



4



5

