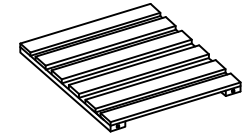
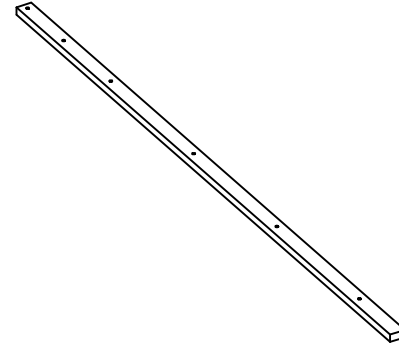
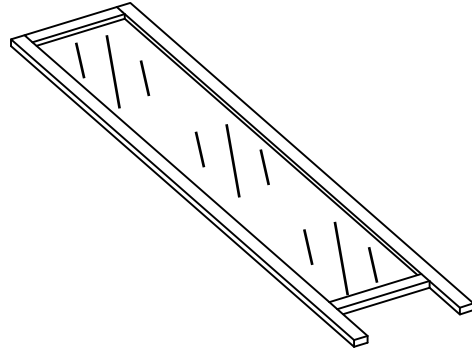

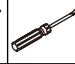


FUTON
C O M P A N Y

ST STOR KEEP



  Cross head and flat head screwdrivers also required for assembly

A

1pc

B

2pcs

C

5pcs



①

10pcs

②

10pcs

③

10pcs

④

10pcs



⑤

2pcs

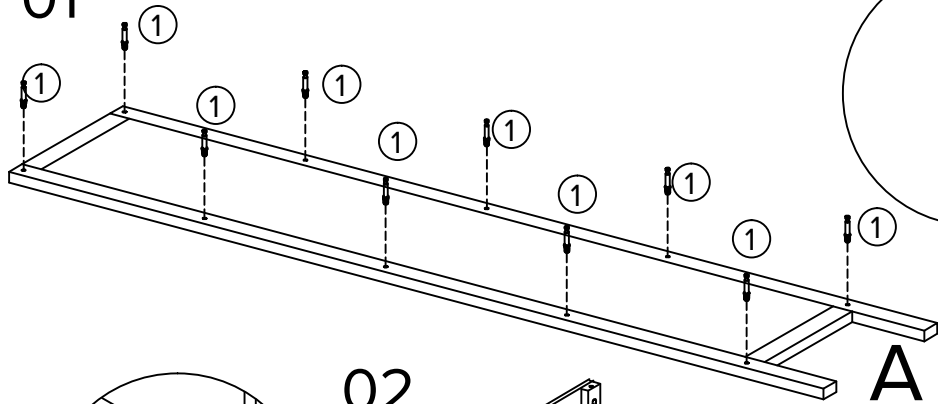
⑥

2pcs

⑦

2pcs

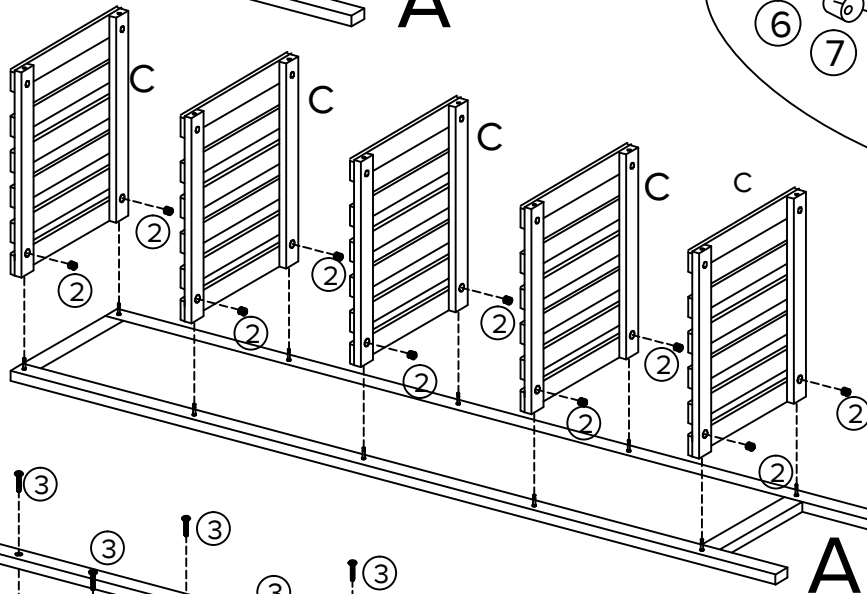
01



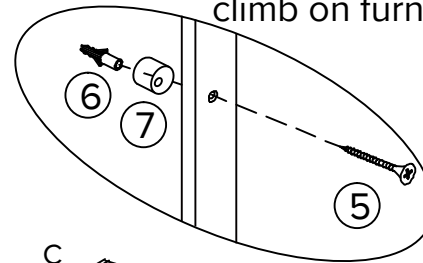
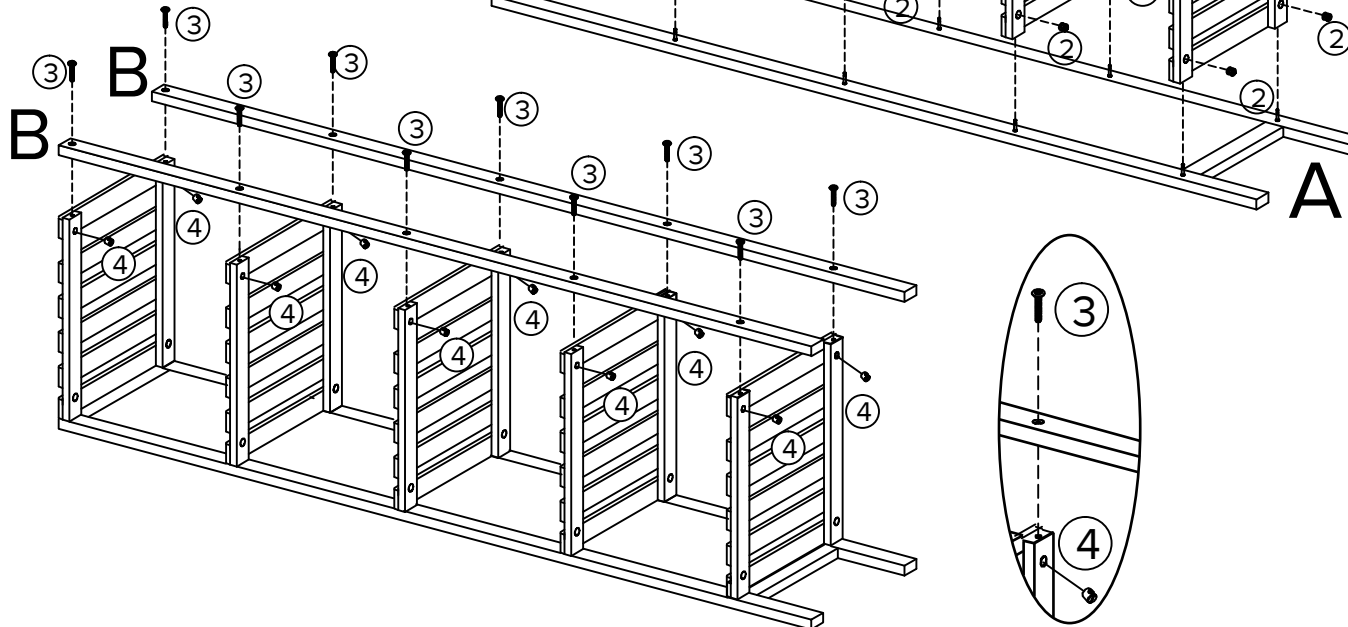
04

Follow step 4 to fix unit to wall.
 Fittings 6 is a standard wall fitting.
 For details on suitable fixing for your wall type seek advice from your local specialised hardware store. For safety reasons, we advise you to fix this item to the wall. Never allow children to climb on furniture.

02



03



Wall

