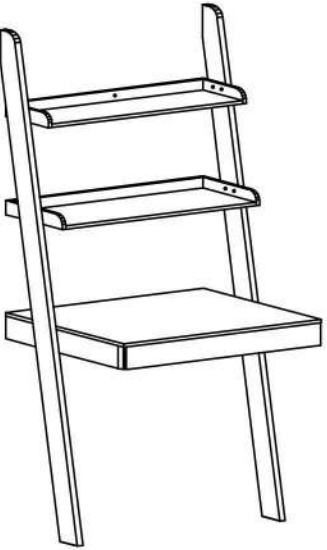
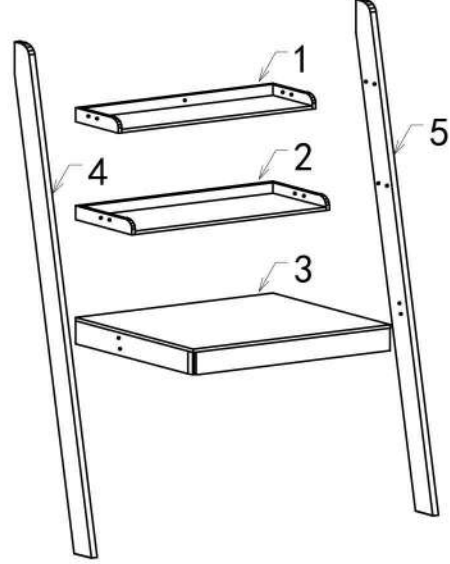

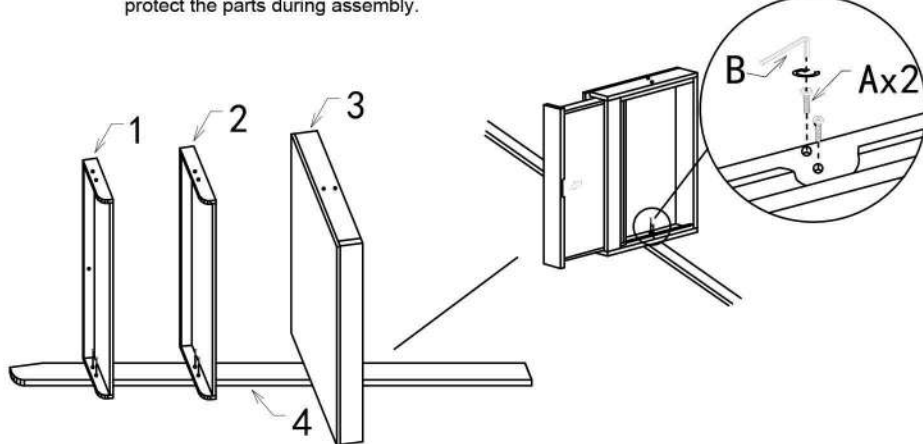
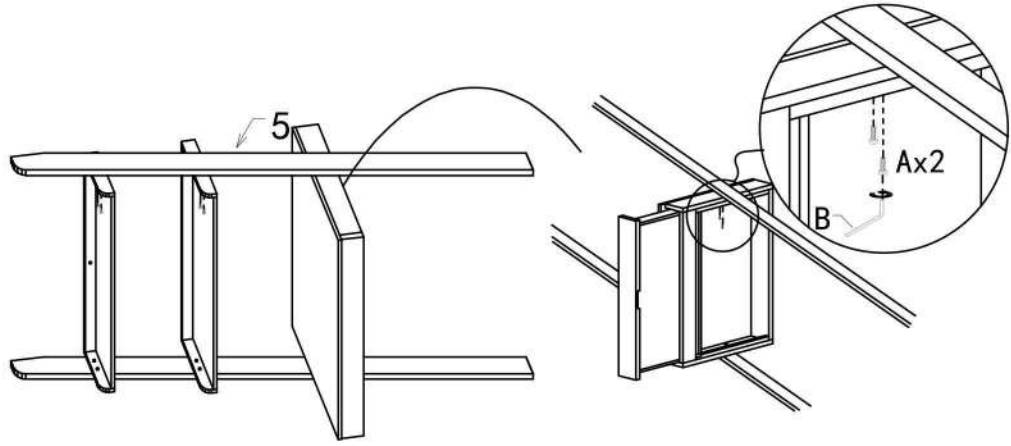


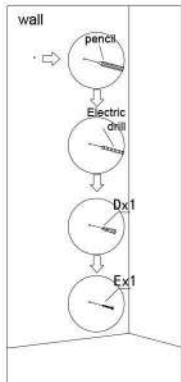


ASSEMBLY INSTRUCTION

PRODUCT CODE : T4 LADD DRK RBR GYRB	HARDWARE LIST	PARTS LIST	01
	<p>Ax12</p> <p>Bx1</p> <p>Cx4</p> <p>Dx2</p> <p>Ex2</p>		<div data-bbox="1355 167 2038 271">  </div> <p data-bbox="1377 359 1691 406">Assemble item on a soft surface to protect the parts during assembly.</p> 
<p data-bbox="78 861 168 917">02</p> 	<div data-bbox="190 869 1041 973">  </div>	<p data-bbox="1153 861 1243 917">03</p> <div data-bbox="1254 869 1724 973">  </div> <div data-bbox="1153 981 1332 1364">  </div> <p data-bbox="1355 1149 1668 1316">We recommend this unit is fixed to the wall for stability and security. For safety reasons, we advise you to fix this item to the wall if young children or boisterous dogs are liable to bang into it. Never allow children to climb on furniture.</p> 