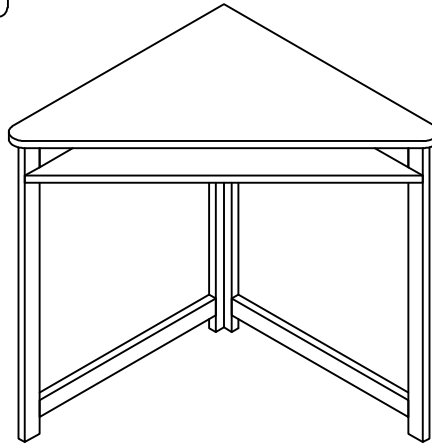


Assembly Instructions



Oak Tych Corner Desk

ROPO no:



 PLEASE READ THESE INSTRUCTIONS VERY CAREFULLY BEFORE YOU BEGIN, TO ENSURE THAT YOUR FUTON COMPANY PRODUCT WILL GIVE YOU MANY YEARS OF SATISFACTION

Thank you for buying a Futon Company product.

We are constantly striving to improve everything we do, but occasionally mistakes do occur. In the unlikely event that you find any part missing, please call your nearest Futon Company store and we will arrange for the despatch of an immediate replacement. Please keep all packaging until you have checked every part and assembly of your Futon Company product is complete.

Version number: 2 Product code: T3 TYCH CNR DESK Date: 27/04/2021

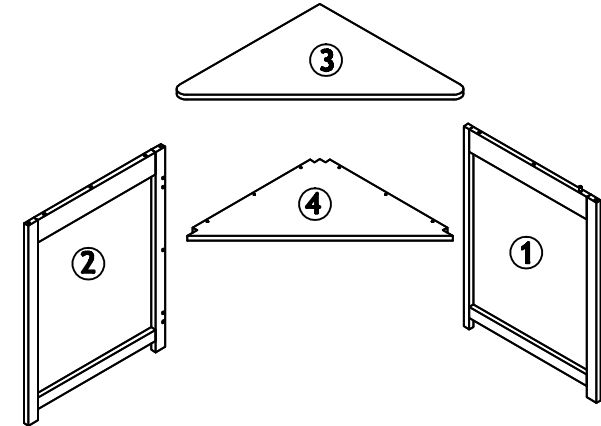
experts in small space living



Parts Checklist








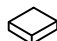

Please count and check every component very carefully before you begin

- ① Right Leg x 1
- ② Left leg x 1
- ③ Top x 1
- ④ Shelf Panel x 1



Fittings Checklist

Please count and check every component very carefully before you begin

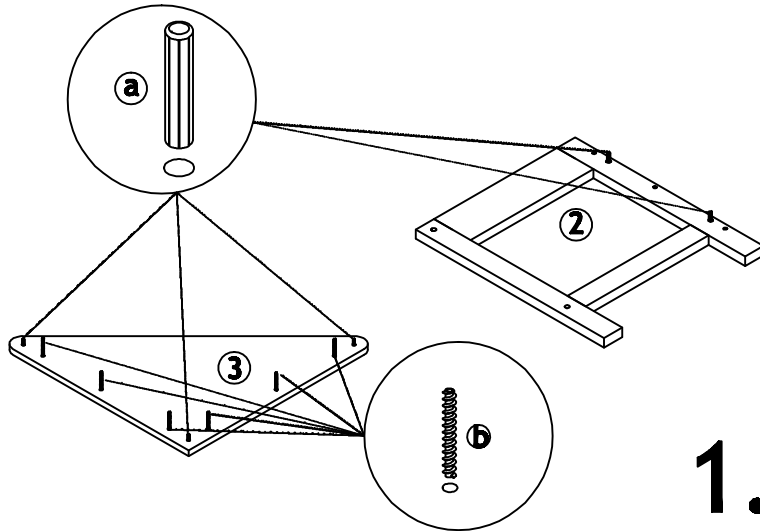
-  **a) Wooden Dowel x 5**
-  **b) Bolt x 6**
-  **c) Pressure Plate x 6**
-  **d) Nut x 6**
-  **e) Small Spanner x 1**
-  **f) Allen Head Bolt x 3**
-  **g) Allen Key x 1**
-  **h) Felt Protector pad x 3**
-  **i) Screw x 6**

 * Cross head Screwdriver also required for assembly



How To Assemble Your Desk

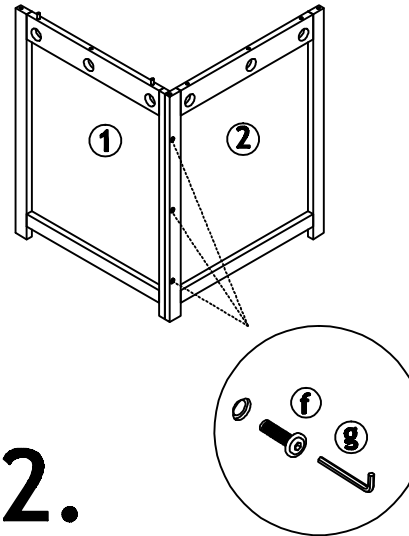
Please follow these instructions carefully



1.

FUTON

C O M P A N Y

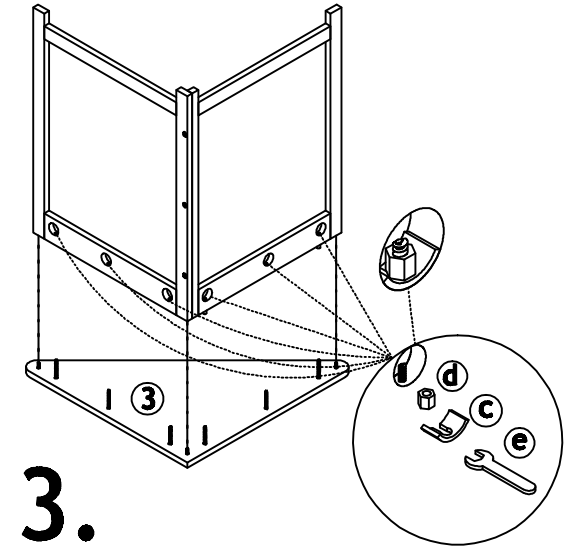


2.

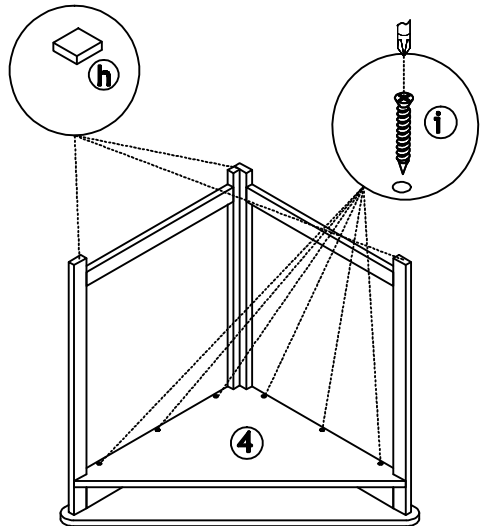


How To Use

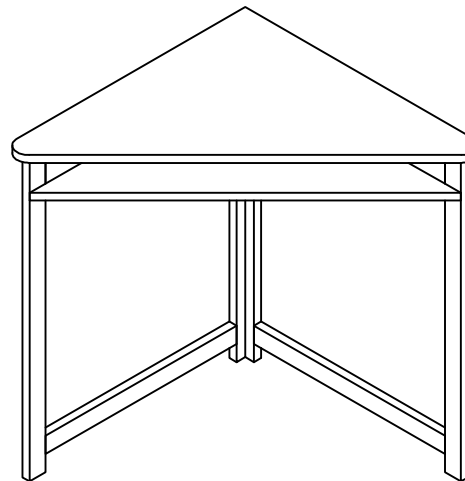
Please read carefully



3.



4.5.



FINISH
Your Desk is made from solid Oak
CARE

To clean your Desk, wipe with a damp cloth followed by a dry cloth.

IMPORTANT

To ensure maximum performance from this product, we advise that you check and tighten all bolts and screws on a regular basis to avoid damage and strain to parts.

GUARANTEE

This instruction leaflet forms part of your guarantee. Please retain it. The ROPO number along with your invoice number will need to be quoted in all correspondence with Futon Company.

Thank you for choosing Futon Company.