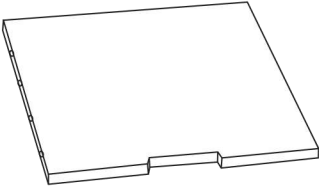
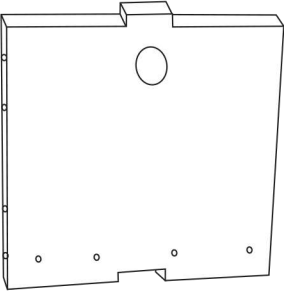

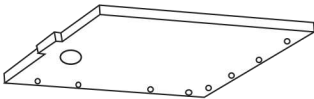


FUTON



C O M P A N Y

Stacking Cube

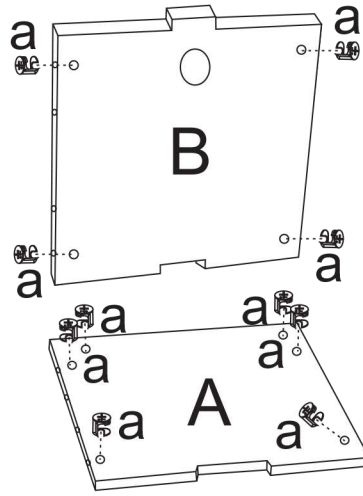
Parts Checklist

| | | |
|---|---|-----|
| A |  | 1pc |
| B |  | 1pc |
| C |  | 1pc |
| D |  | 1pc |

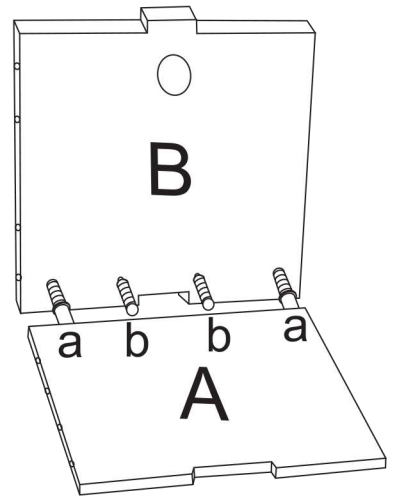
Fittings Checklist

| | | |
|---|---|-------|
| a |  | 10pcs |
| b |  | 10pcs |

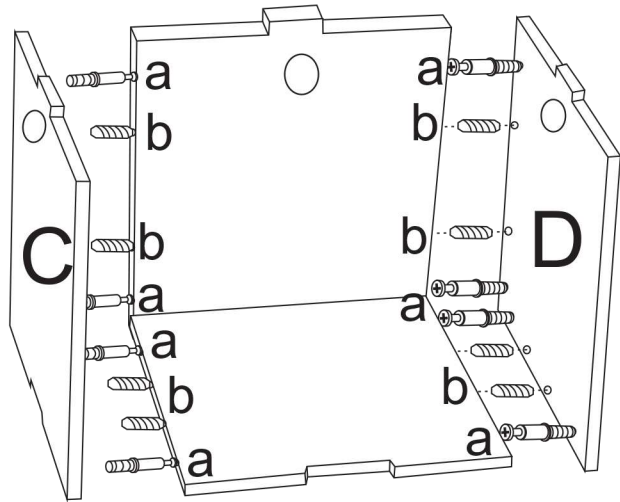
①



②



③



④

