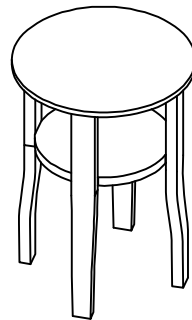


Assembly Instructions



Side Table - Wave - Birch & Oak

ROPO no:



PLEASE READ THESE INSTRUCTIONS VERY CAREFULLY BEFORE YOU BEGIN, TO ENSURE THAT YOUR FUTON COMPANY PRODUCT WILL GIVE YOU MANY YEARS OF SATISFACTION

Thank you for buying a Futon Company product.

We are constantly striving to improve everything we do, but occasionally mistakes do occur. In the unlikely event that you find any part missing, please call your nearest Futon Company store and we will arrange for the despatch of an immediate replacement. Please keep all packaging until you have checked every part and assembly of your Futon Company product is complete.

Version number: 2

Product code: T1 WAVE

Date: 23/12/2021

experts in small space living



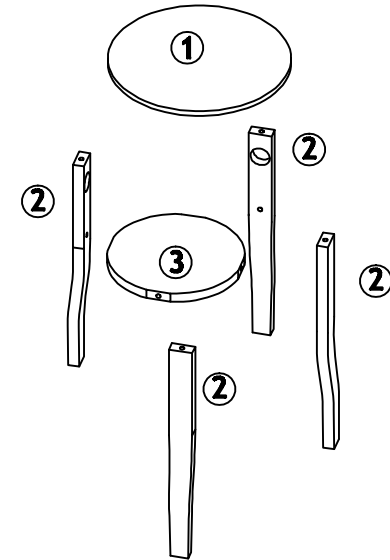
Parts Checklist

Please count and check every component very carefully before you begin

① Top x 1

② Legs x 4

③ Shelf x 1



Fittings Checklist

Please count and check every component very carefully before you begin



a Bolt x 8



b Pressure Plate x 8



c Nut x 8



d Small Spanner x 1



e Felt Protector pad x 4