





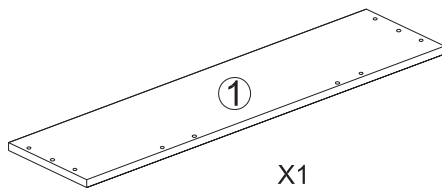


ASSEMBLY INSTRUCTIONS

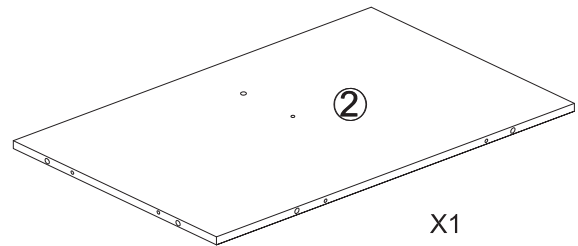
FUTON
C O M P A N Y

ST BTH SLIM CALX

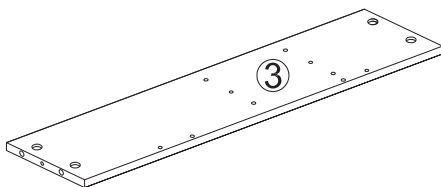
A	B	C	D	E	F
					
20PIECES	20 PIECES	19 PIECES	4 PIECES	1 PIECE	8 PIECES



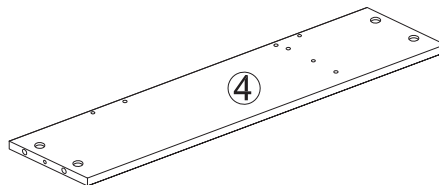
X1



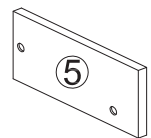
X1



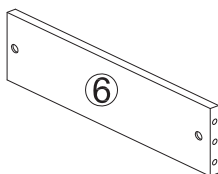
X1



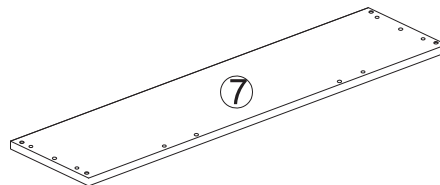
X1



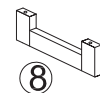
X1



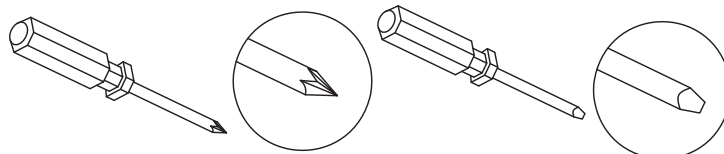
X1



X1

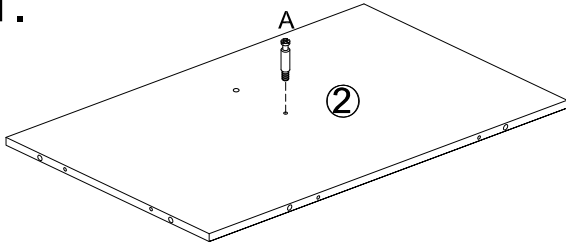


X2

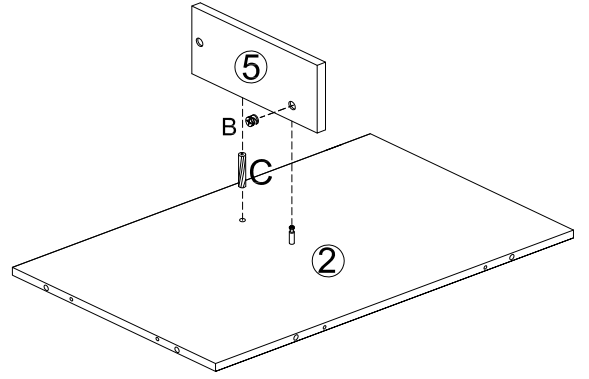


Allow 60 minutes to assemble this item

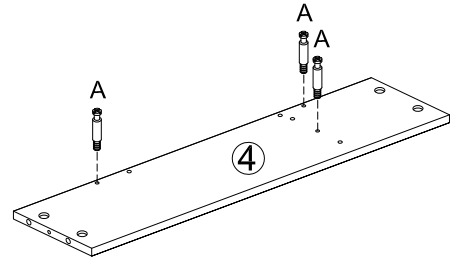
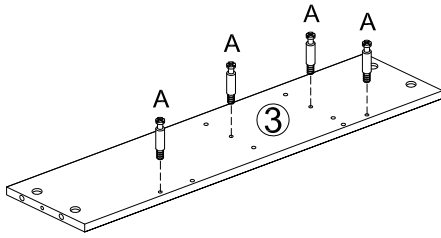
1.



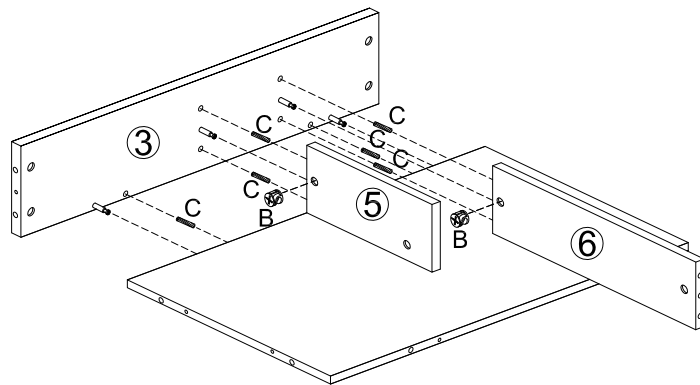
2.



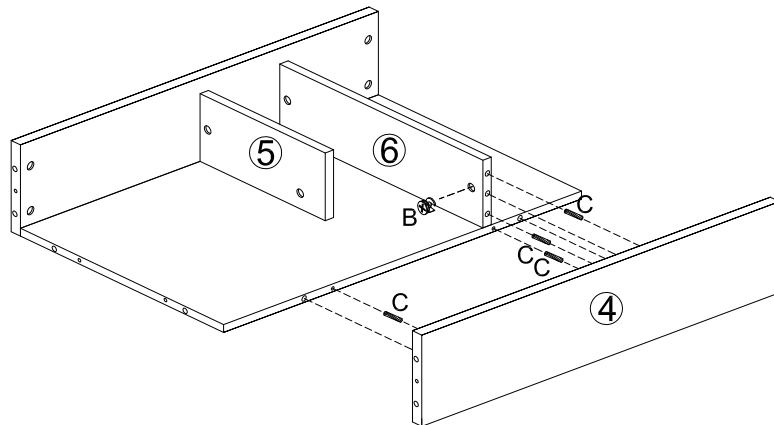
3.



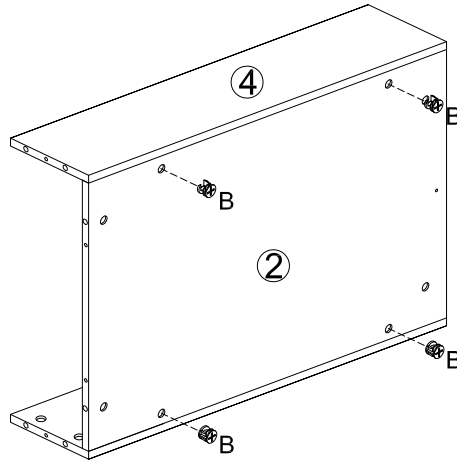
4.



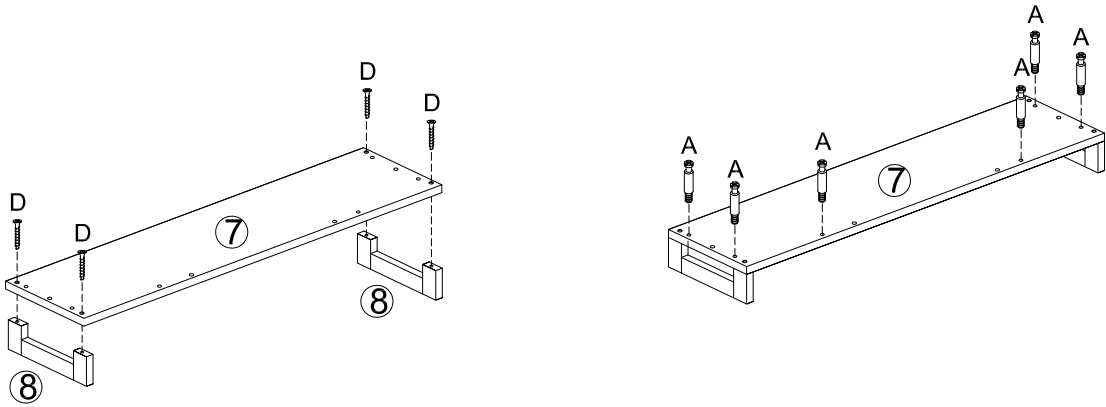
5.



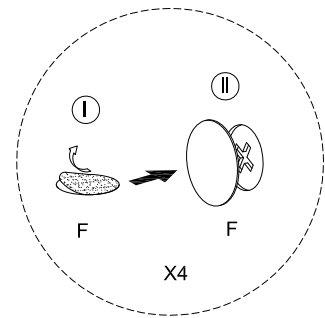
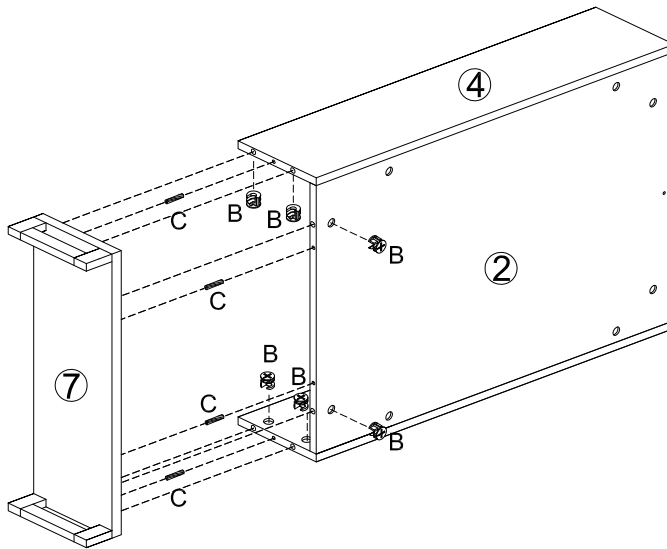
6.



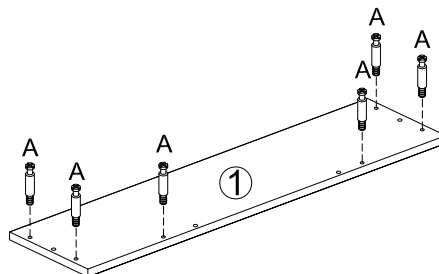
7.



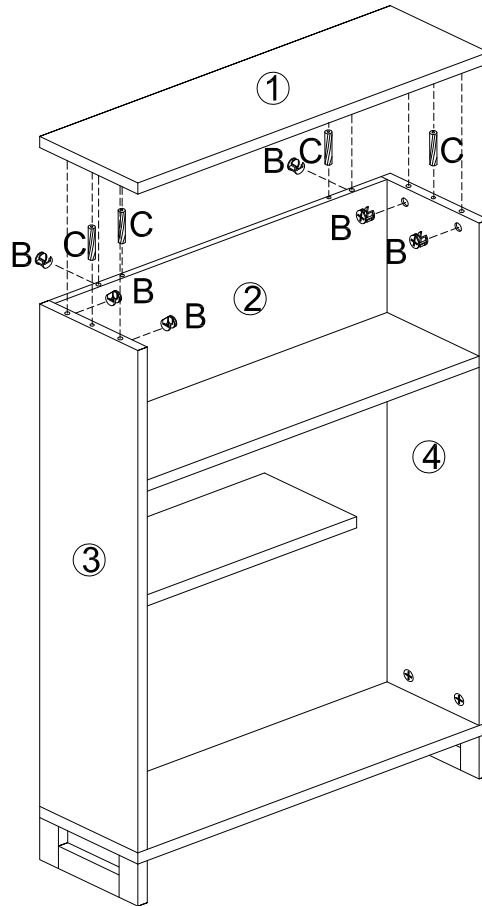
8.



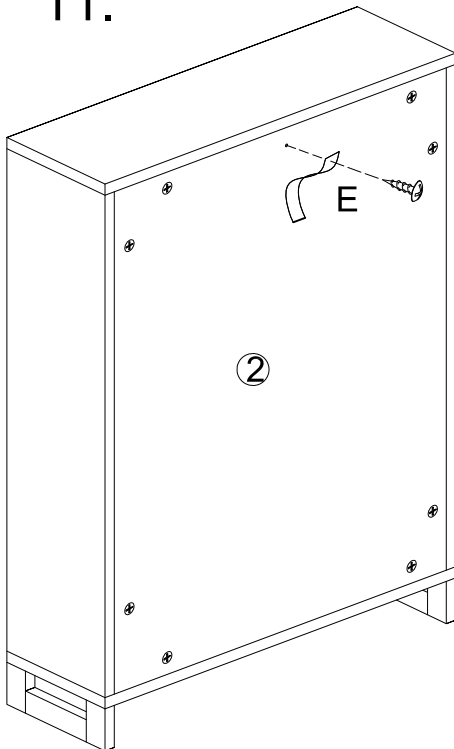
9.



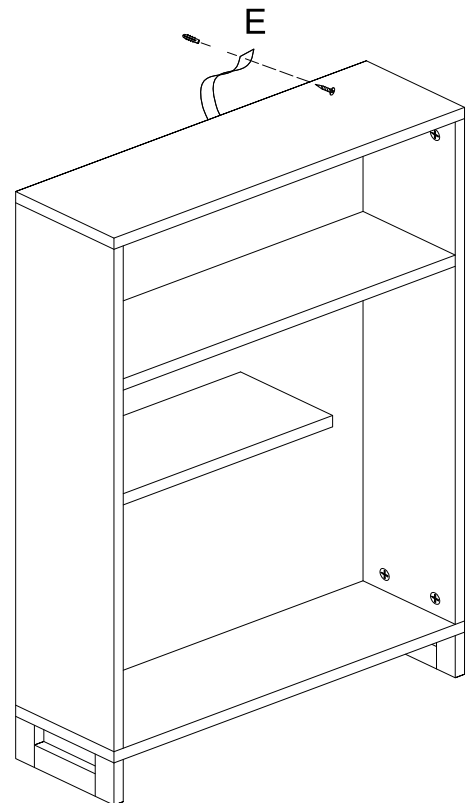
10.



11.



12.



Fitting E should be used to secure your ST BTH SLIM CALX to the wall. Screws and fittings for wall are not supplied as different wall constructions require fittings that are suitable for your wall type. If you are unsure for the correct type of fitting for your wall, please contact your local specialised hardware store for information on suitable fitting.