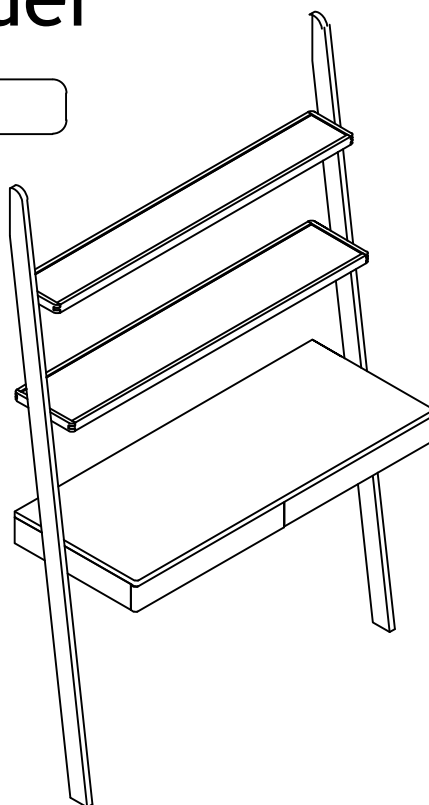


# Assembly Instructions

## Desk - Wide Oak Leaning Ladder

**FUTON**  
C O M P A N Y

ROPO no:



Please read these instructions very carefully before you begin to ensure that your Futon Company sofa bed will give you many years of satisfaction

Thank you for buying a Futon Company product.

We are constantly striving to improve everything we do, but occasionally mistakes do occur. In the unlikely event that you find any part missing, please call your nearest Futon Company store and we will arrange for the despatch of an immediate replacement. Please keep all packaging until you have checked every part and assembly of your Futon Company product is complete.

Version number: 2

Product code: T4 LADD DESK WDE

Date: 14/01/26

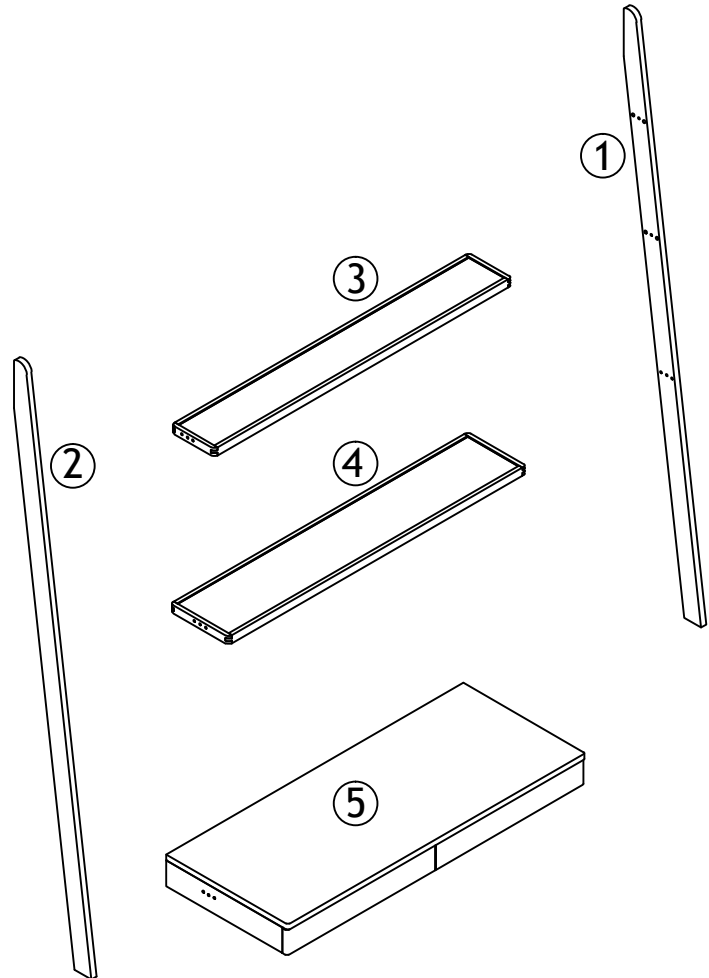
*experts in small space living*



## Parts Checklist

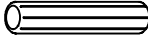




Please count and check every component very carefully before you begin

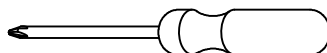
- ① Right Rail x 1
- ② Left Rail x 1
- ③ Small Shelf x 1
- ④ Middle Shelf x 1
- ⑤ Drawer x 1



## Fittings Checklist

Please count and check every component very carefully before you begin

-  (a) Wooden Dowel x 6
-  (b) Allen Head Bolt x 12
-  (c) Allen Key x 1
-  (d) Anti-slip pad x 4
-  (e) Screw x 2



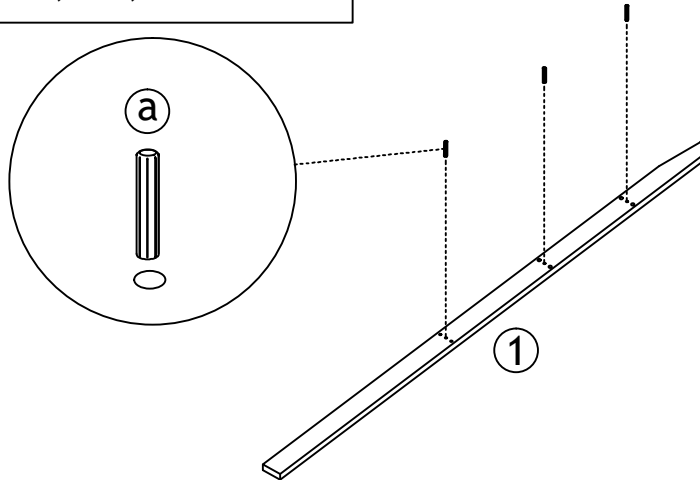
\* Cross head Screwdriver also required for assembly



# How To Assemble Your Ladder Desk

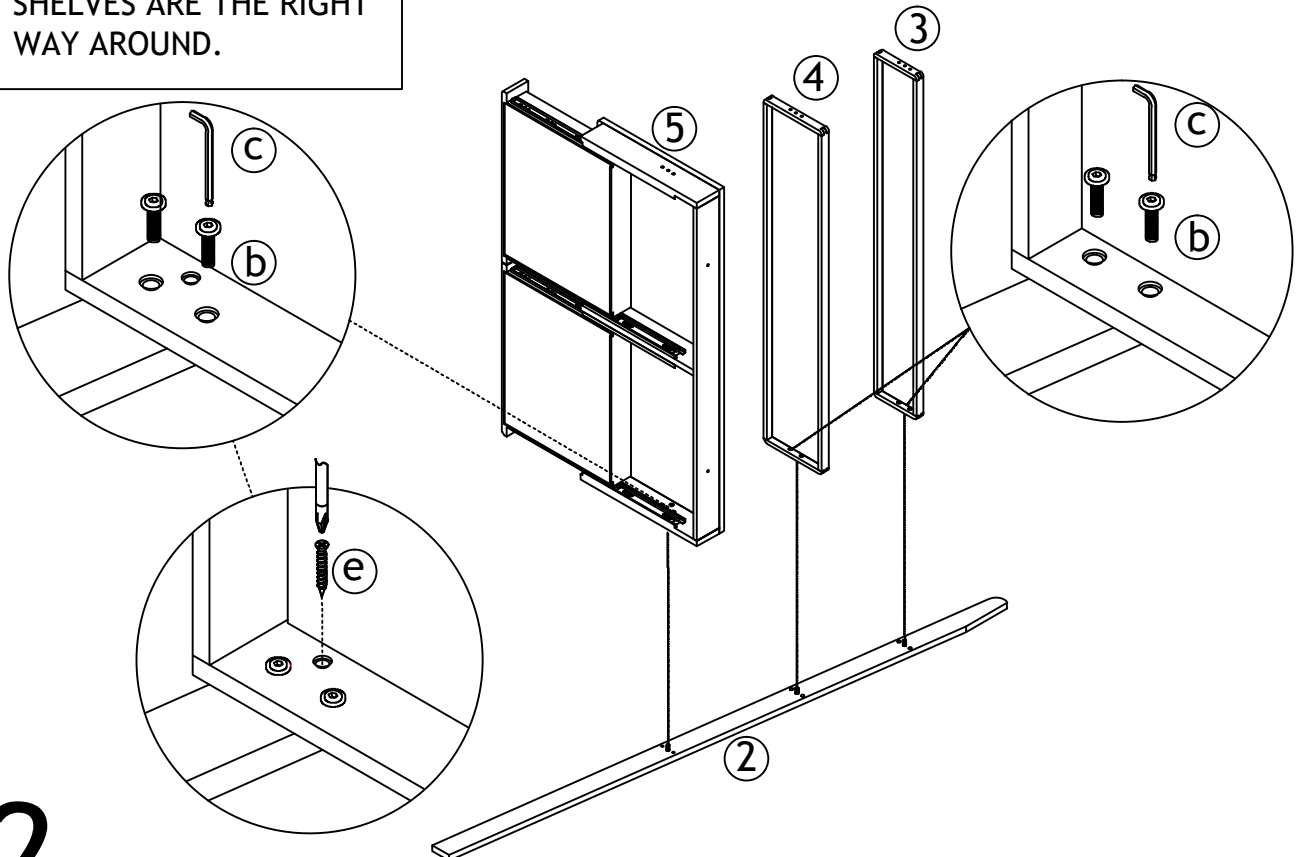
Please follow these instructions carefully

To prevent scratching: Lay the parts face down on a clean, flat, soft surface.



# 1.

BEFORE TIGHTENING THE BOLTS, CHECK THAT THE SHELVES ARE THE RIGHT WAY AROUND.



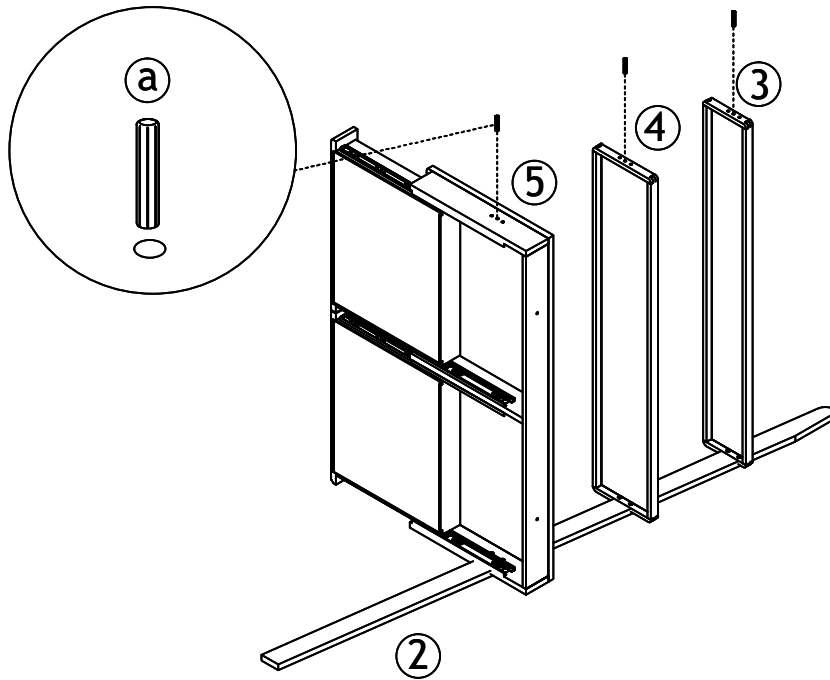
# 2.



# How To Assemble Your Ladder Desk

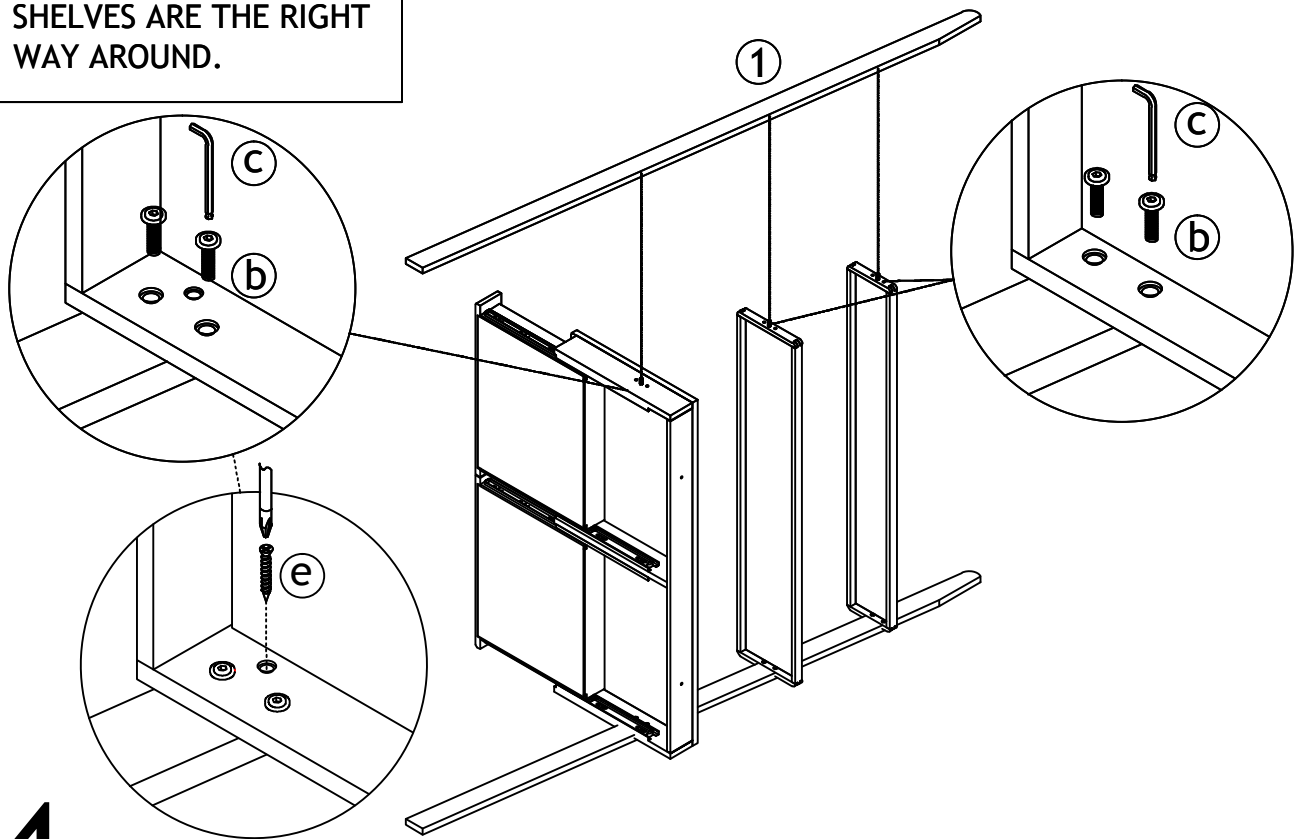
Please follow these instructions carefully

## 3.



BEFORE TIGHTENING THE BOLTS, CHECK THAT THE SHELVES ARE THE RIGHT WAY AROUND.

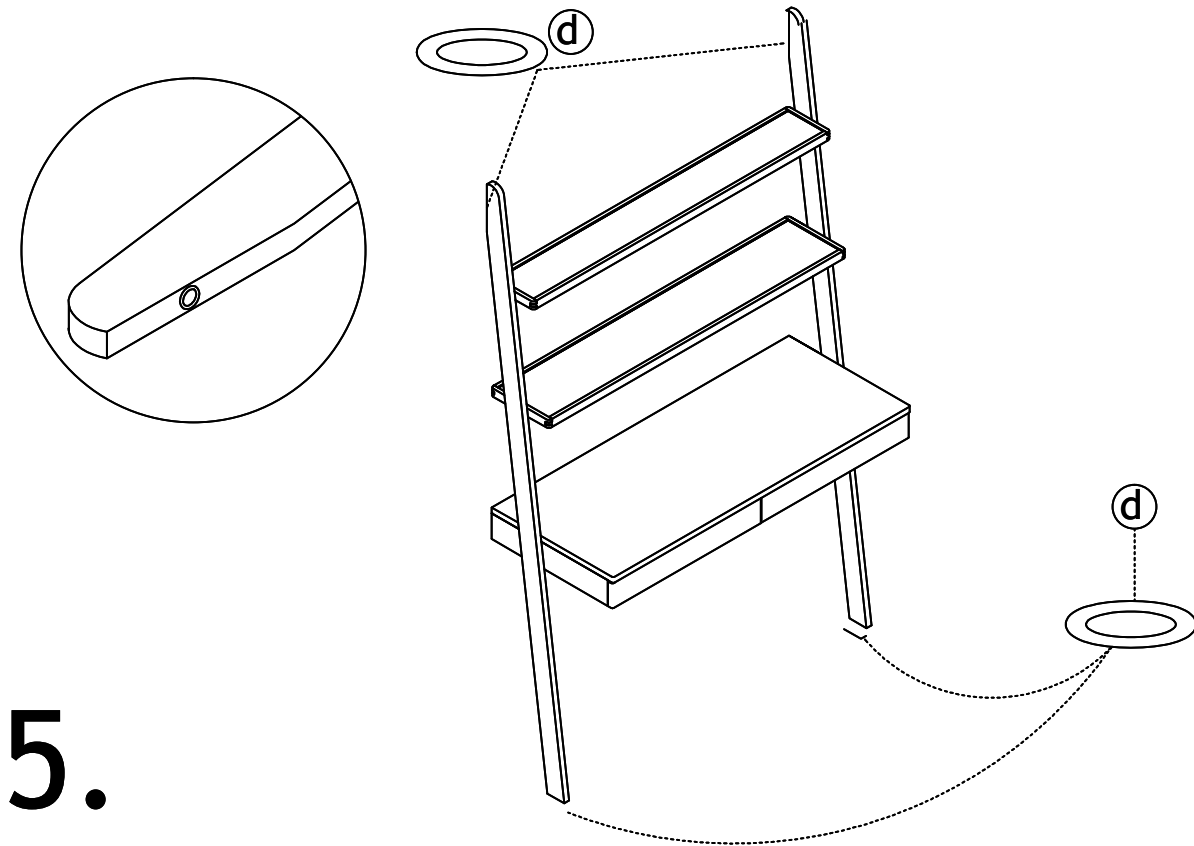
## 4.





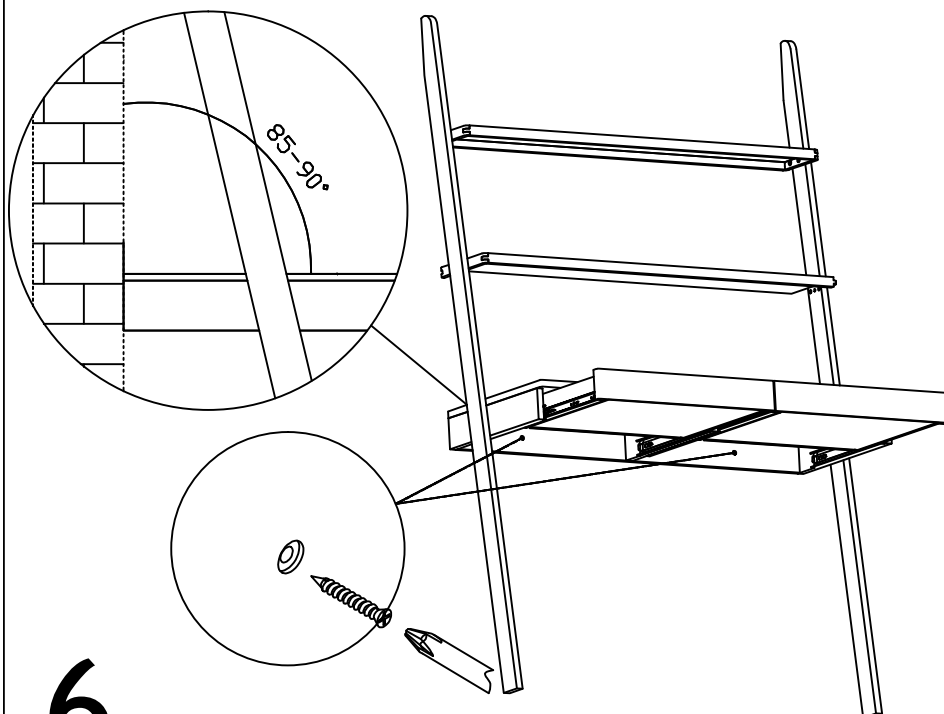
# How To Assemble Your Ladder Desk

Please follow these instructions carefully



5.

To ensure that your Desk remains secure, you must fix it to the wall using the two fixing holes provided. Fixings to attach Desk to wall are not included as different wall materials require different types of fixing. Contact your local specialised hardware store for advice on suitable fixing. For safety reasons, we advise you to fix this item to the wall if young children or boisterous dogs are liable to bang into it. Never allow children to climb on furniture.



6.



# How To Use

Please read carefully

## FINISH

Your Desk is made from solid Oak and Oak veneer.

## CARE

To clean your Desk, wipe with a damp cloth followed by a dry cloth.

## IMPORTANT

To ensure maximum performance from this product, we advise that you check and tighten all bolts and screws on a regular basis to avoid damage and strain to parts.

## GUARANTEE

This instruction leaflet forms part of your guarantee. Please retain it. The ROPO number along with your invoice number will need to be quoted in all correspondence with Futon Company.

Thank you for choosing Futon Company.

