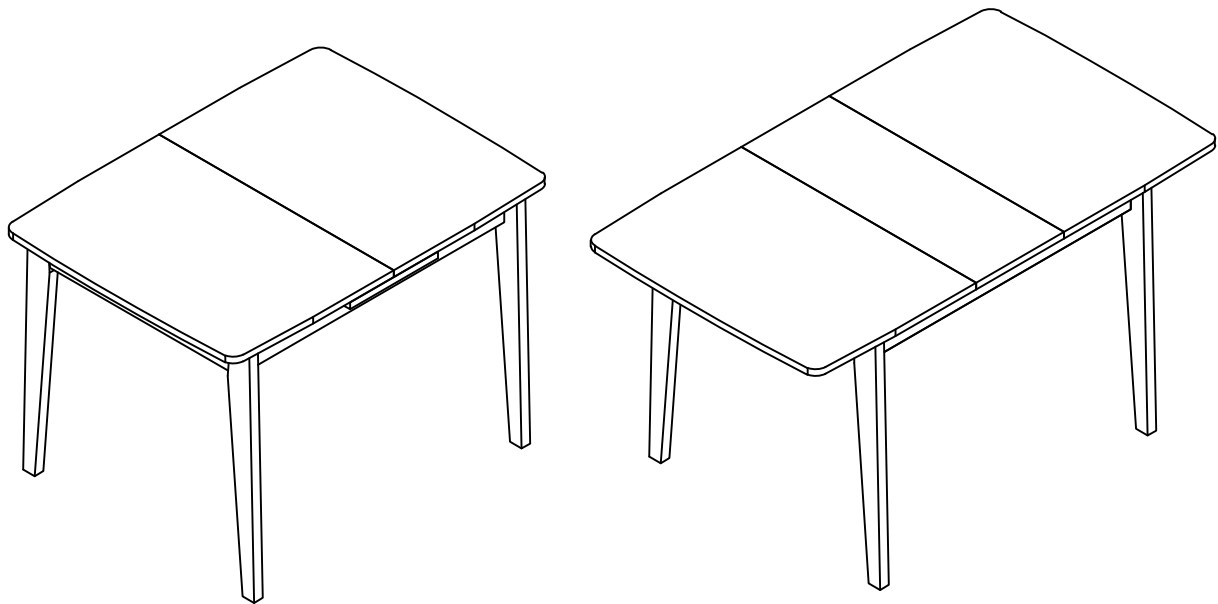


Assembly Instructions

FUTON
C O M P A N Y

Oak Osaka Extending Table

ROPO no:



Please read these instructions very carefully before you begin to ensure that your Futon Company sofa bed will give you many years of satisfaction

Thank you for buying a Futon Company product.

We are constantly striving to improve everything we do, but occasionally mistakes do occur. In the unlikely event that you find any part missing, please call your nearest Futon Company store and we will arrange for the despatch of an immediate replacement. Please keep all packaging until you have checked every part and assembly of your Futon Company product is complete.

Version number: 2

Product code: T4 OSAKA OAK

Date: 25/12/25

experts in small space living



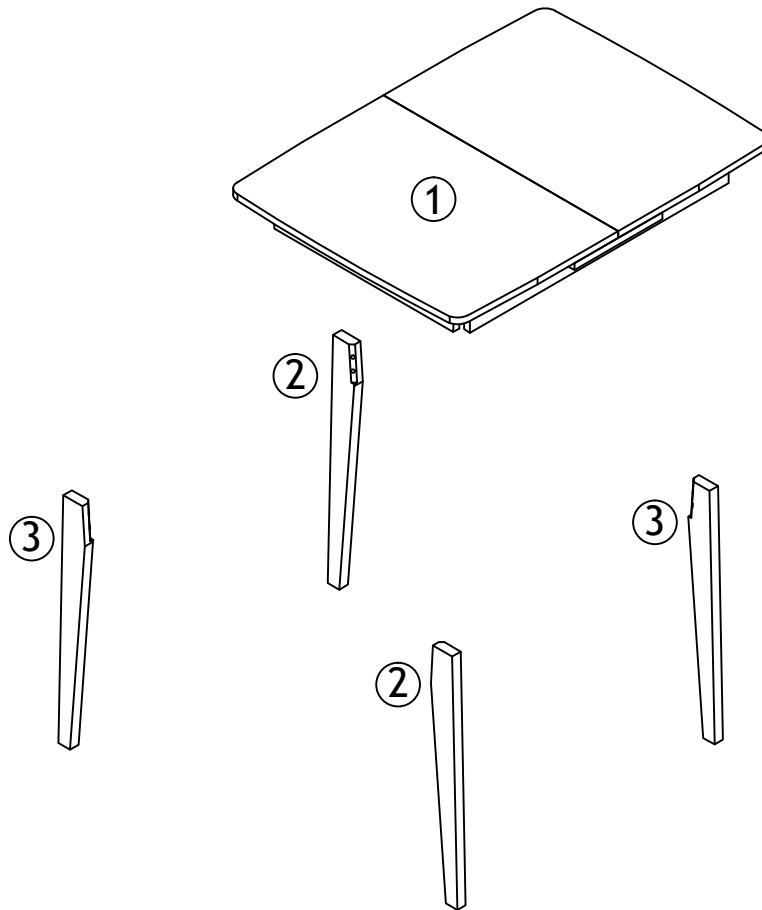
Parts Checklist

Please count and check every component very carefully before you begin

① Top x 1

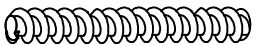
② Leg (A) x 2

③ Leg (B) x 2



Fittings Checklist

Please count and check every component very carefully before you begin



① Bolt x 8



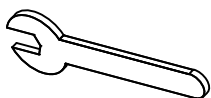
② Split Spring Washer x 8



③ Washer x 8



④ Nut x 8



⑤ Small Spanner x 1



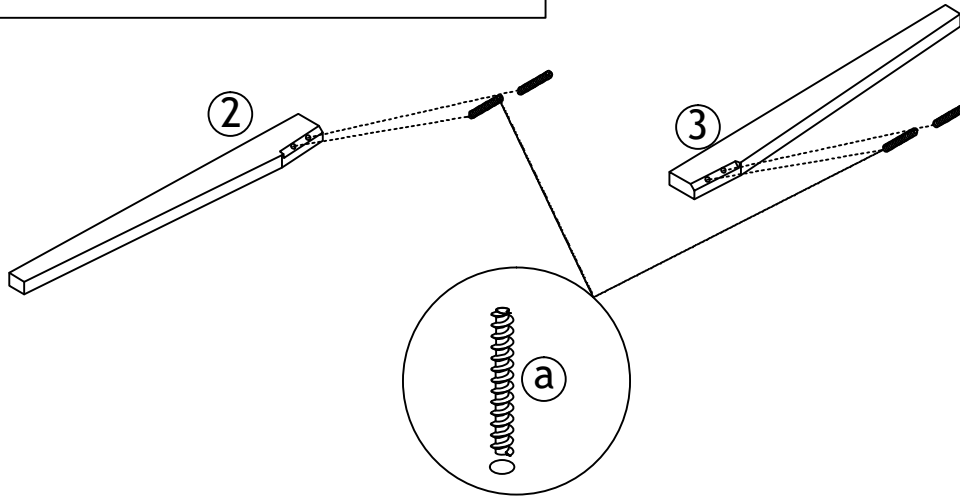
⑥ Felt Protector Pad x 4



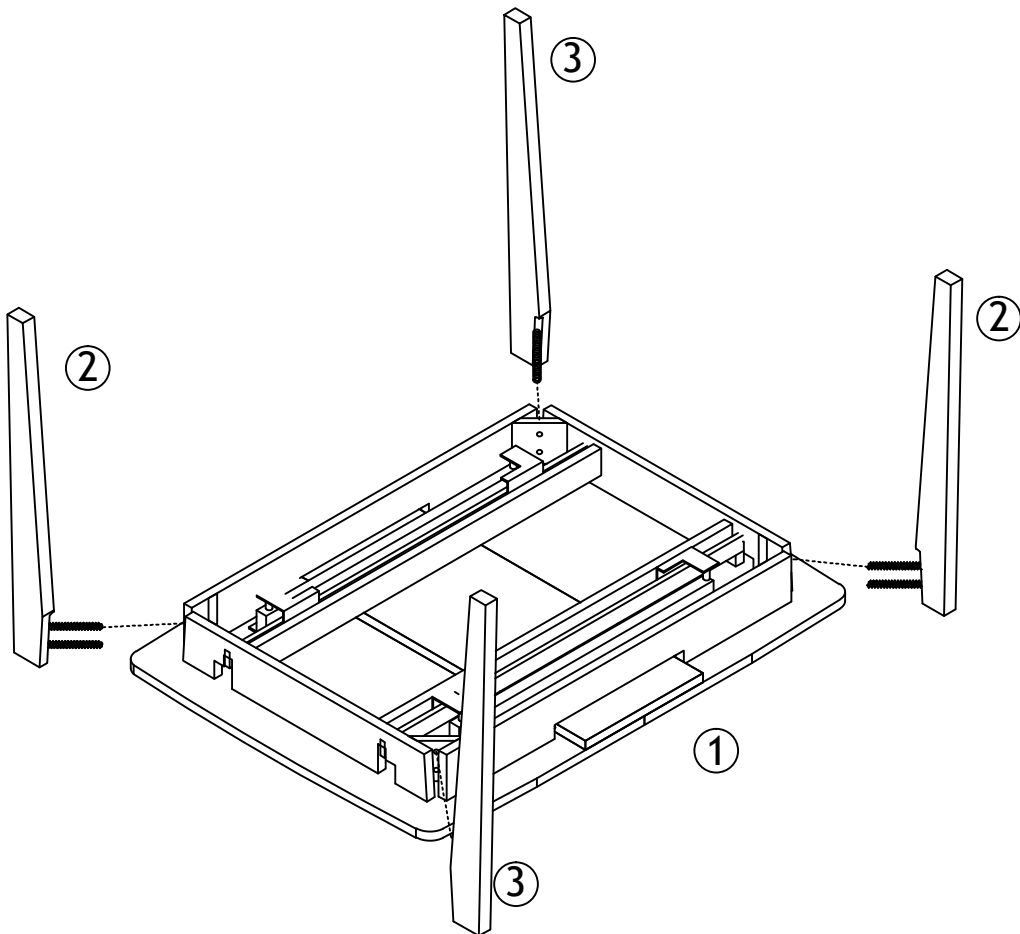
How To Assemble Your Table

Please follow these instructions carefully

To prevent scratching: Lay the parts face down on a clean, flat, soft surface.



1.

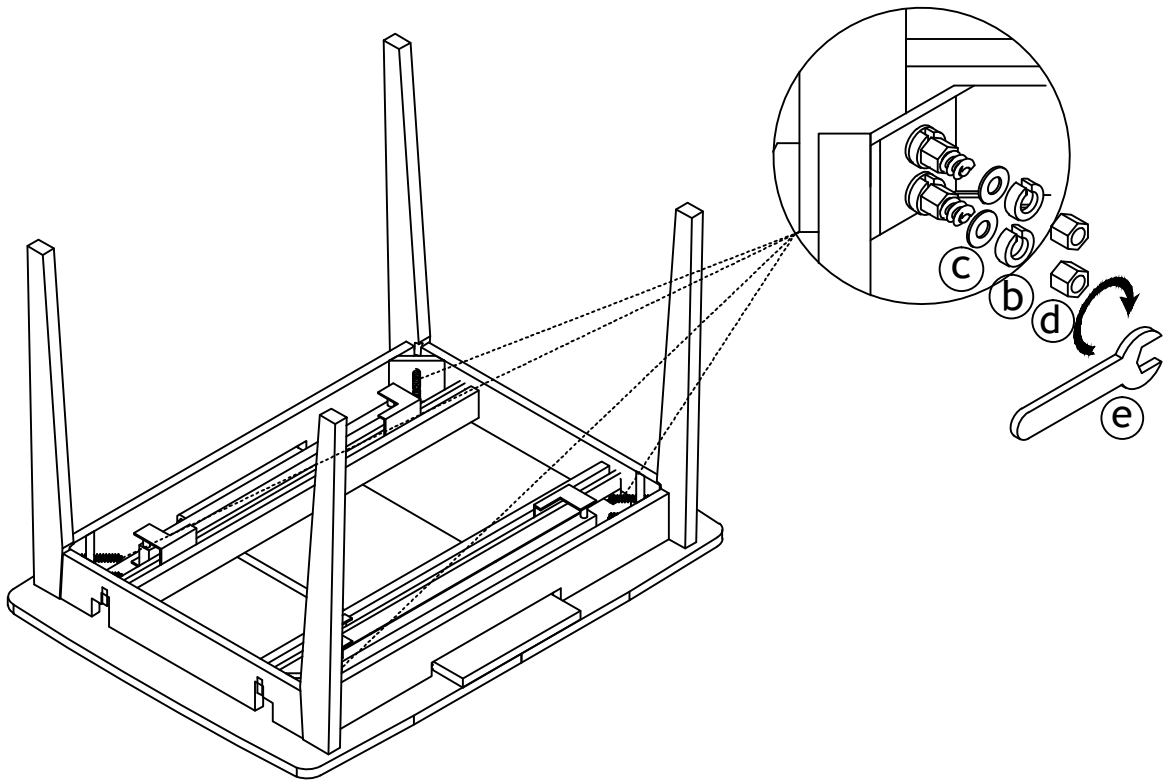


2.

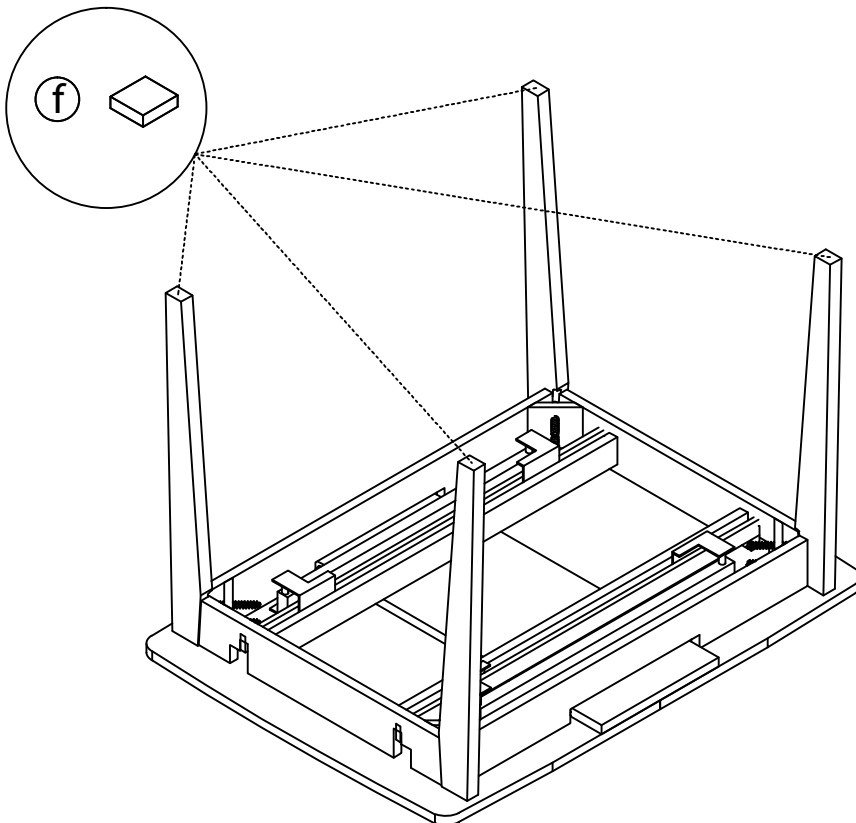


How Assemble Your Table

Please follow these instructions carefully



3.



4.

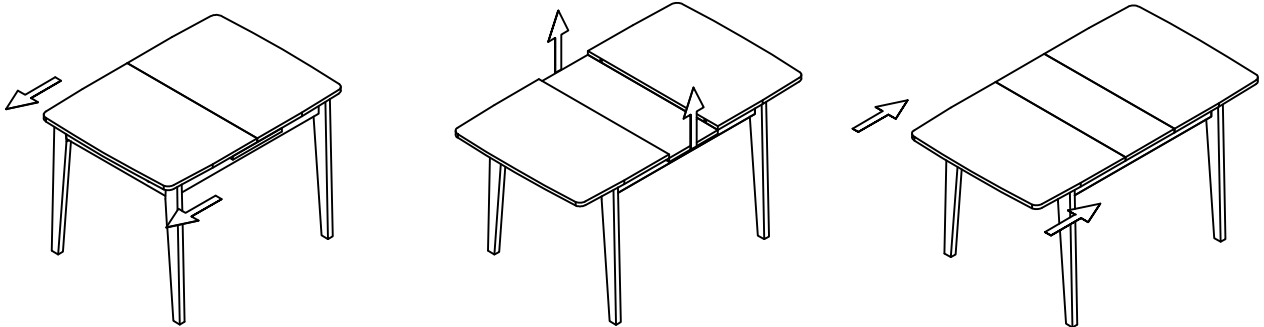


How To Open & Close Your Table

Please follow these instructions carefully

To Open:

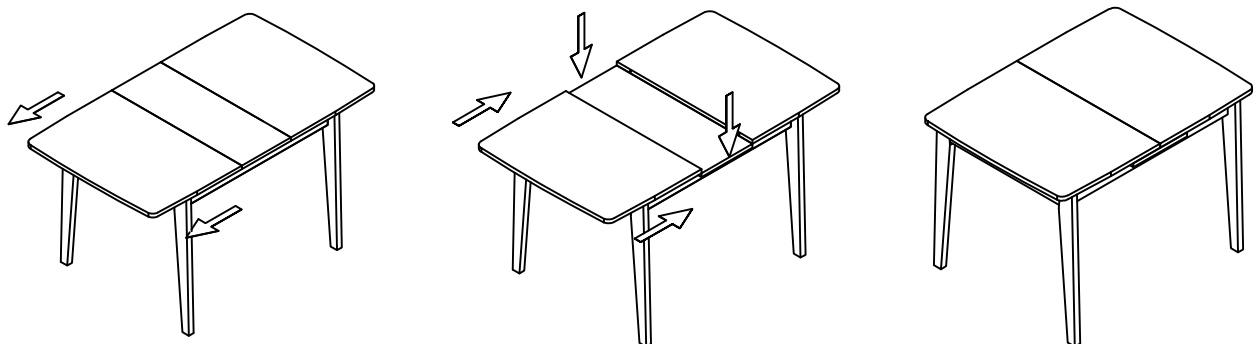
Pull out table top sides. Middle panel will rise up. Push sides back to lock position.



5.

To Close:

Pull out the sides fully. Then, push these back together, and the middle panel will descend.



6.



How To Use

Please read carefully

FINISH

Your Table is made from solid Oak

CARE

To clean your Table, wipe with a damp cloth followed by a dry cloth.

IMPORTANT

To ensure maximum performance from this product, we advise that you check and tighten all bolts and screws on a regular basis to avoid damage and strain to parts.

GUARANTEE

This instruction leaflet forms part of your guarantee. Please retain it. The ROPO number along with your invoice number will need to be quoted in all correspondence with Futon Company.

Thank you for choosing Futon Company.

